

SYMMETRY
event solutions

85 Engineers Rd.
Hauppauge, NY 11788
Office: 347.534.2950
www.symmetryeventsolutions.com

Client

Dyson

Project

IN STORE
ACTIVATION

Notes:

THE INFORMATION CONTAINED IN THIS
DRAWING IS THE SOLE PROPERTY OF
SYMMETRY EVENT SOLUTIONS INC. ANY
REPRODUCTION IN PART OR AS WHOLE
WITHOUT THE WRITTEN PERMISSION OF
SYMMETRY EVENT SOLUTIONS INC. IS
PROHIBITED.

Drawn By:

JR

Date:

10-18-17

File Name:

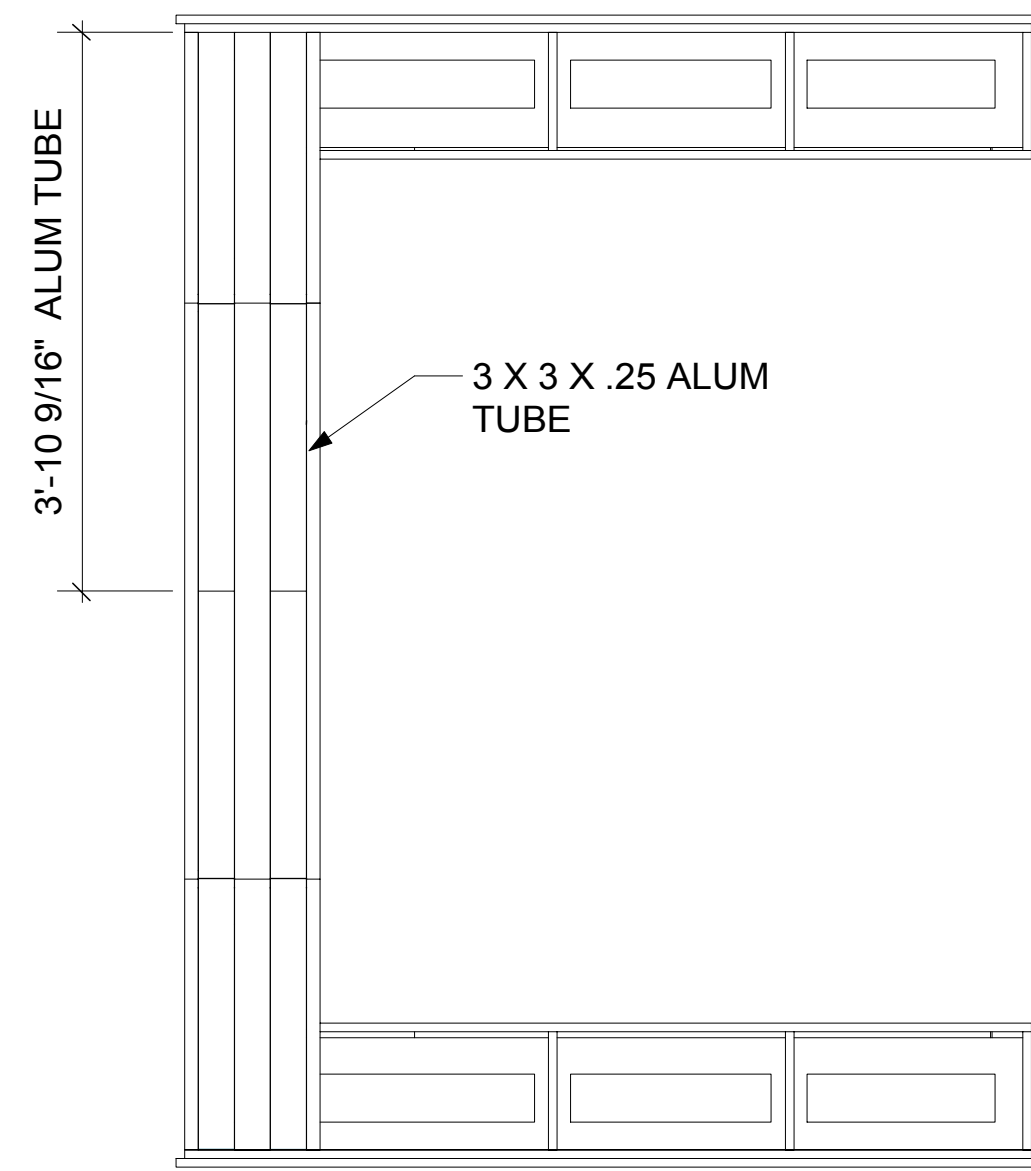
ORB

Scale

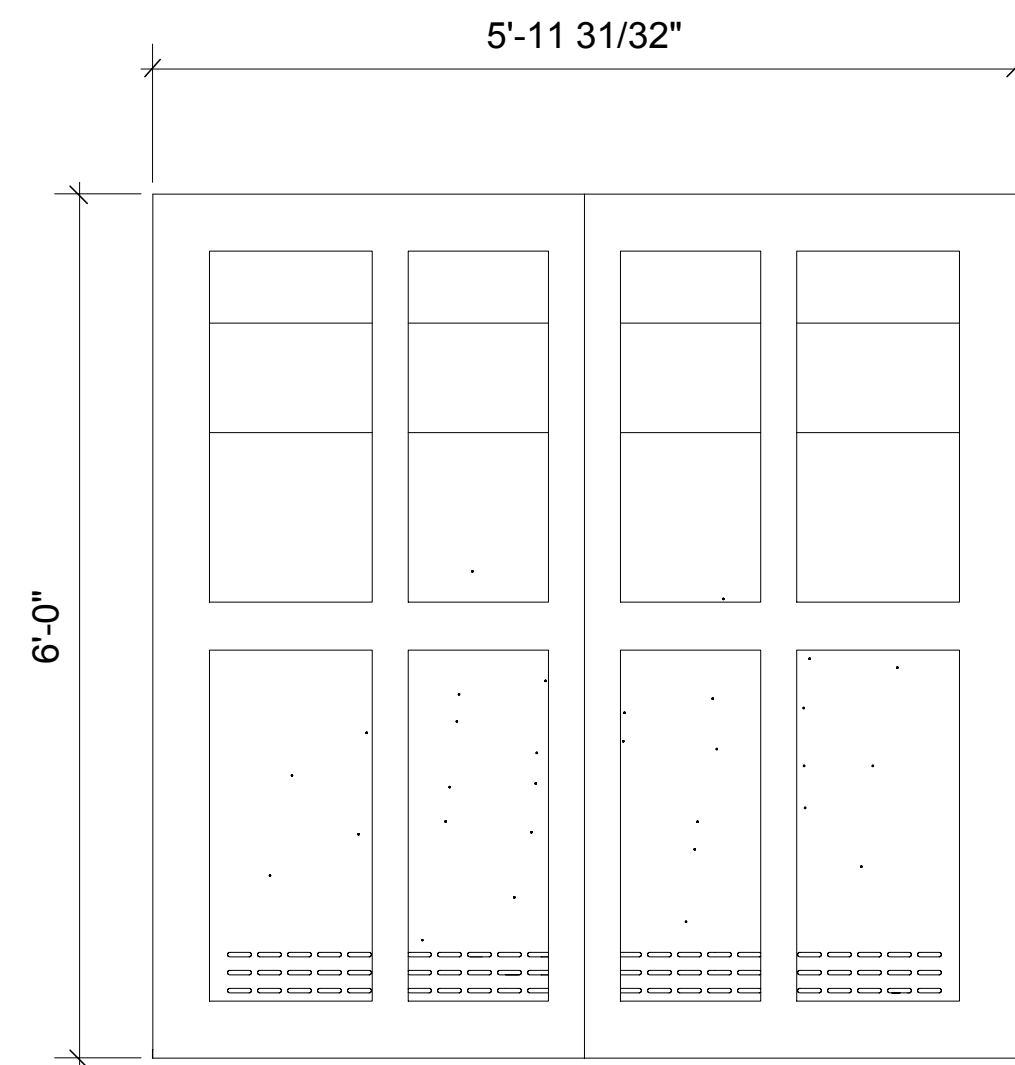
AS NOTED

DRAWING #:

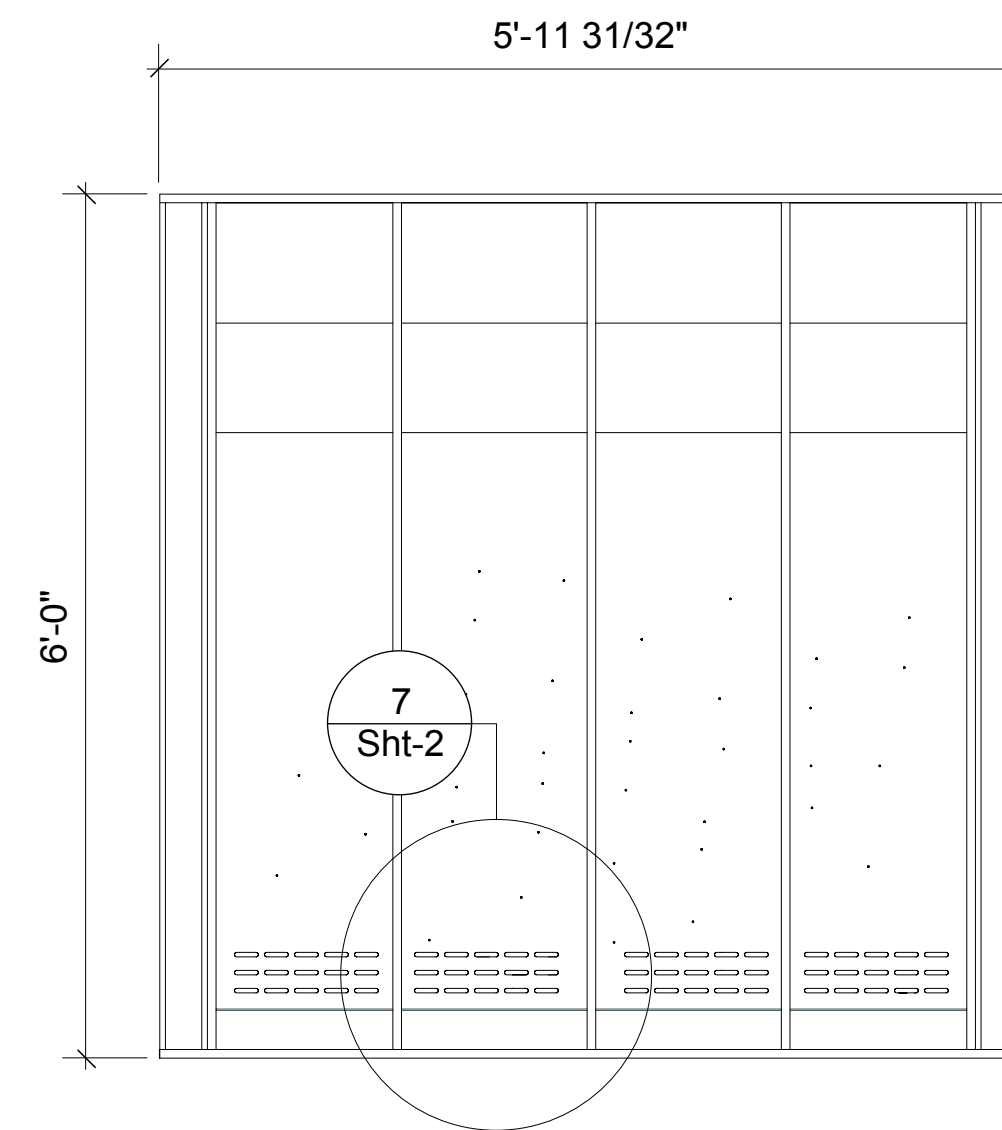
CD-00



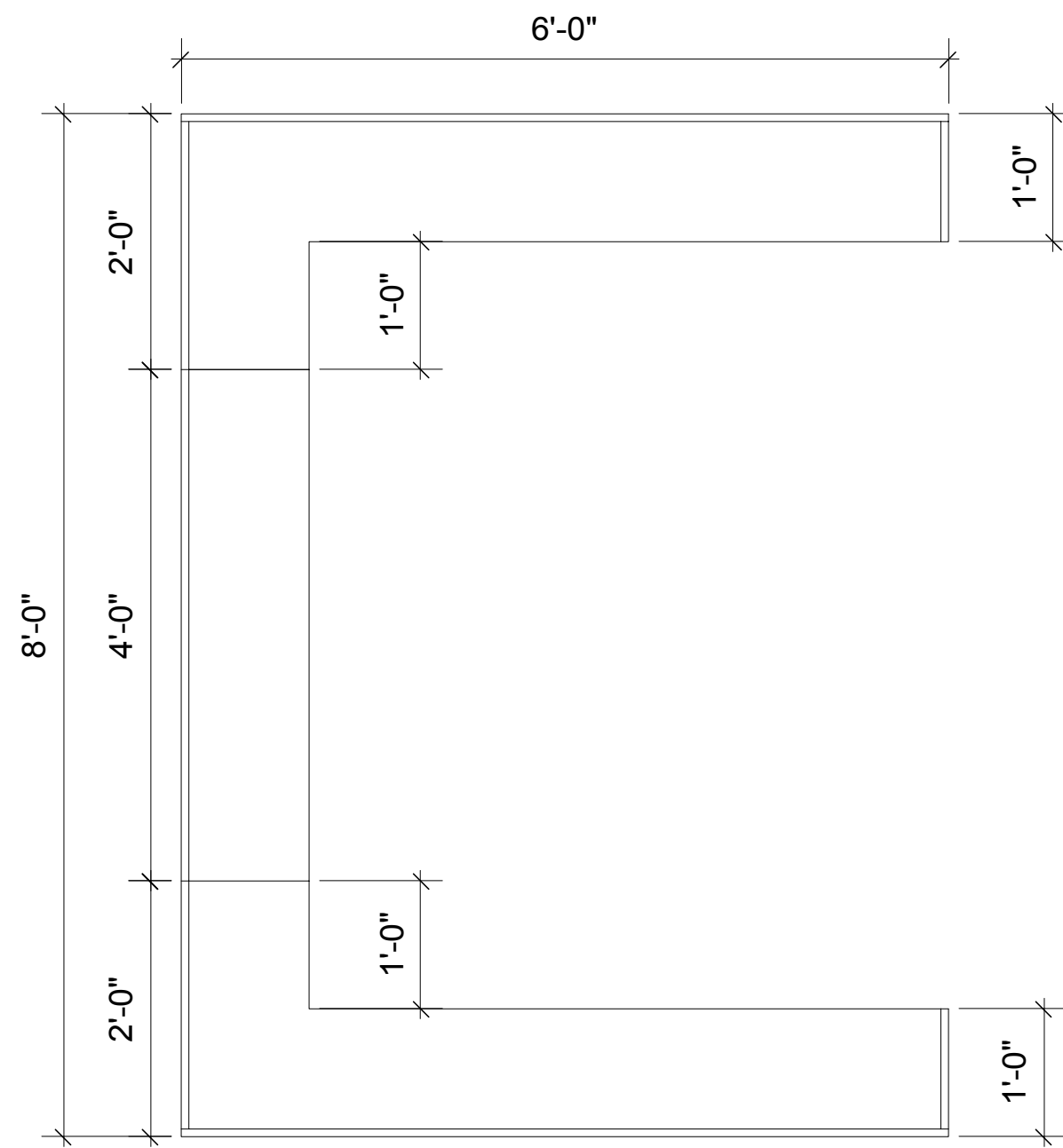
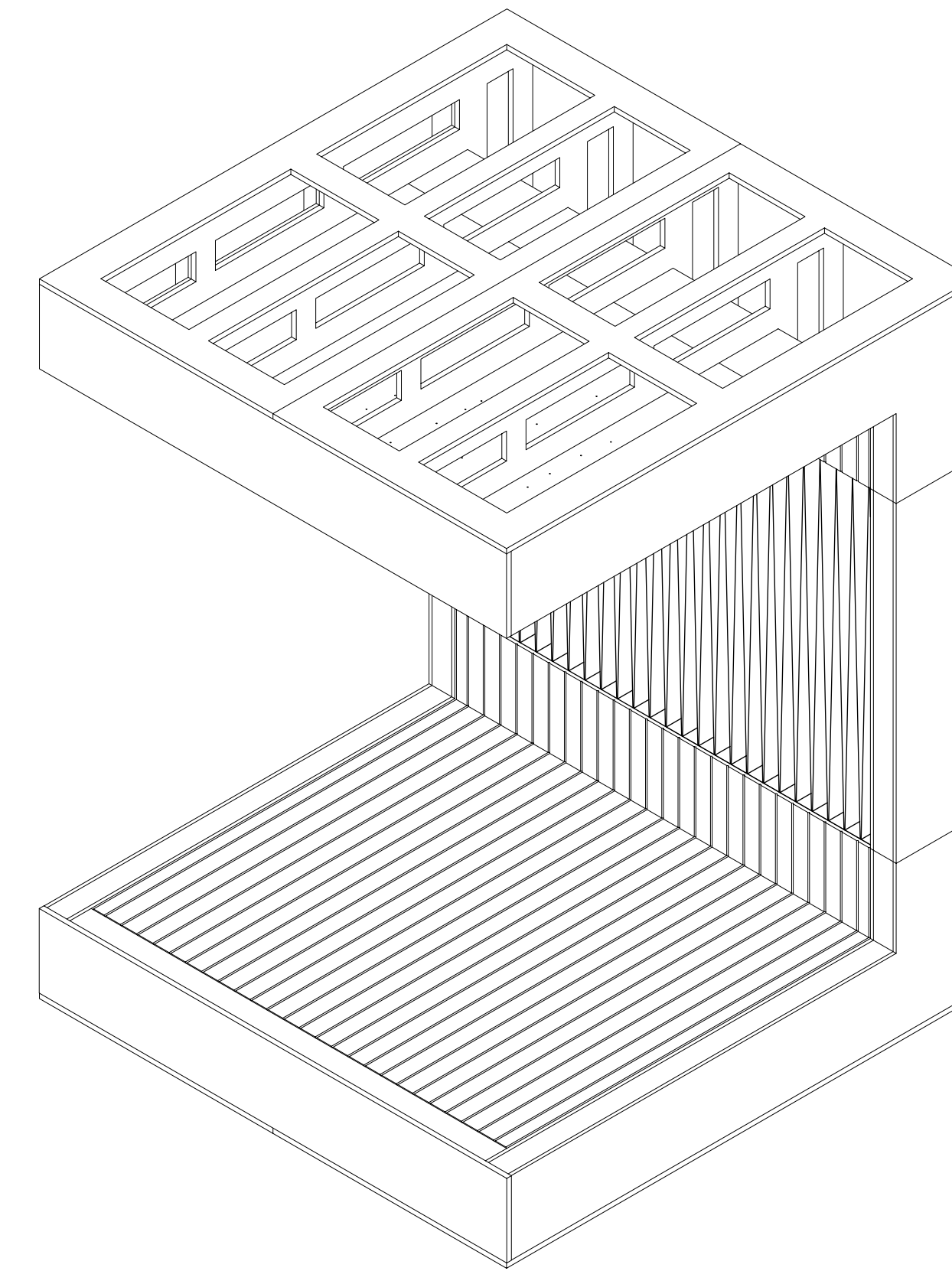
9 SHOW SPLICE
Scale: 3/4" = 1'-0"



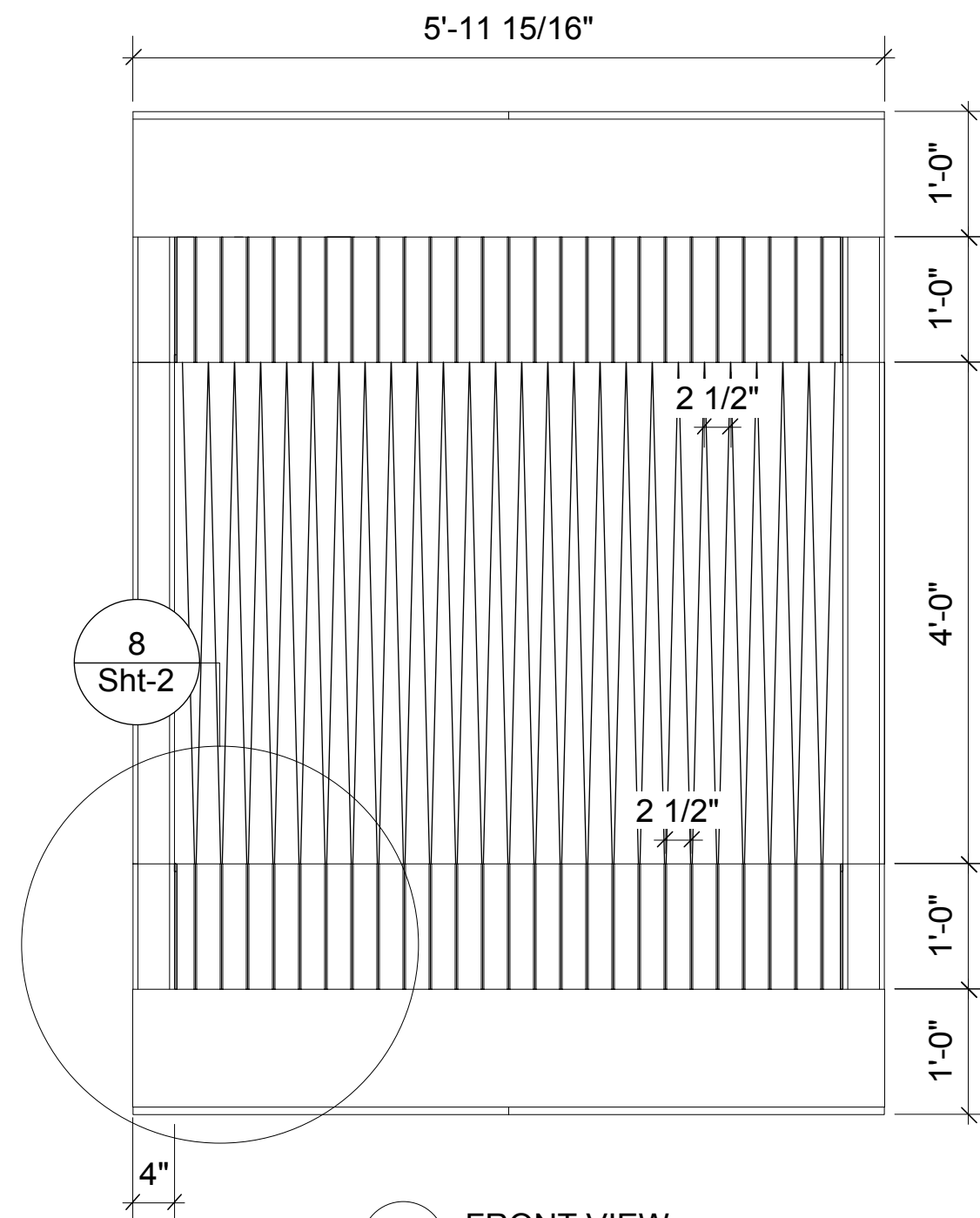
1 TOP VIEW
Scale: 3/4" = 1'-0"



6 TOP VIEW
Scale: 3/4" = 1'-0"



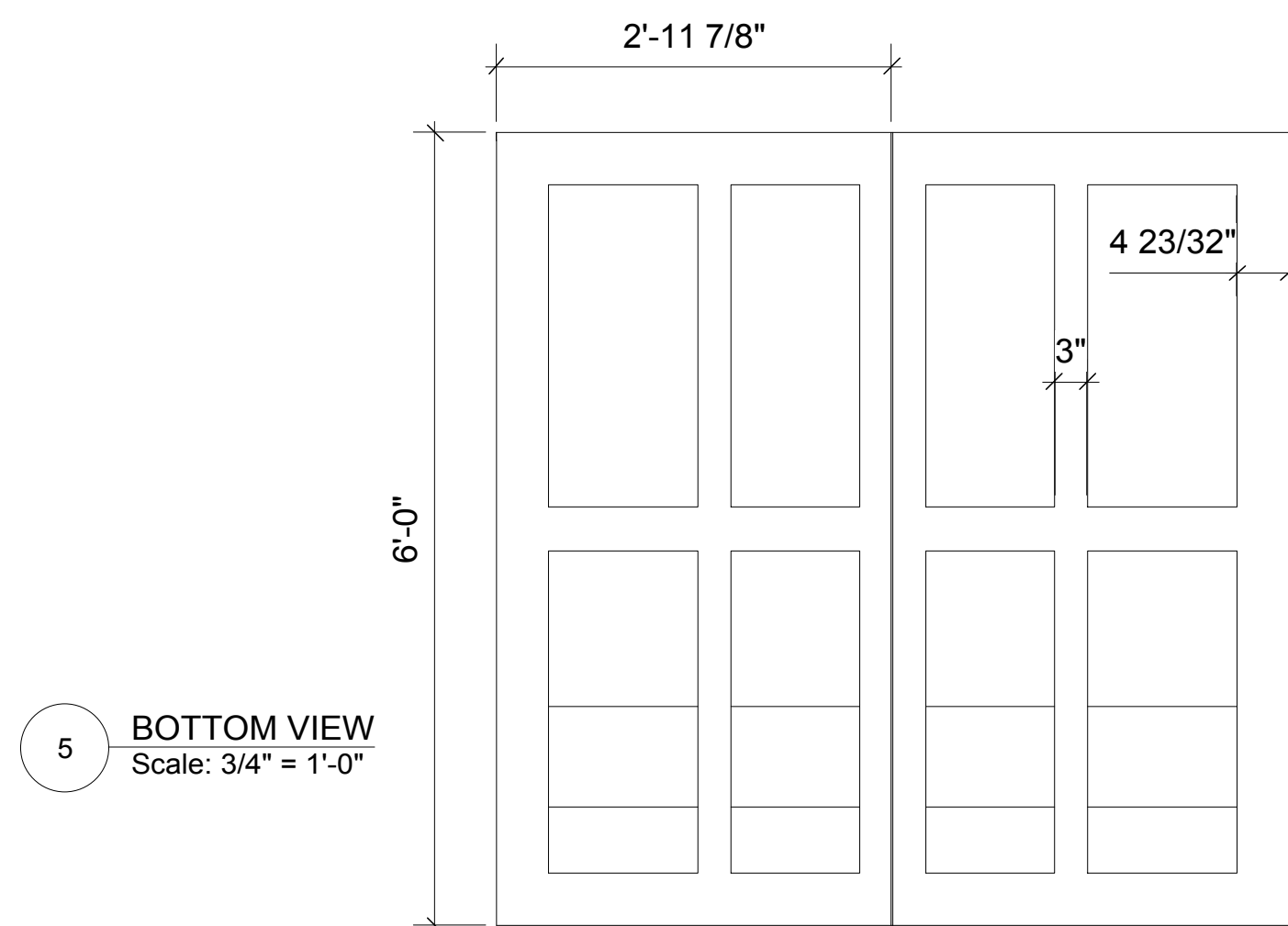
2 SIDE VIEW
Scale: 3/4" = 1'-0"



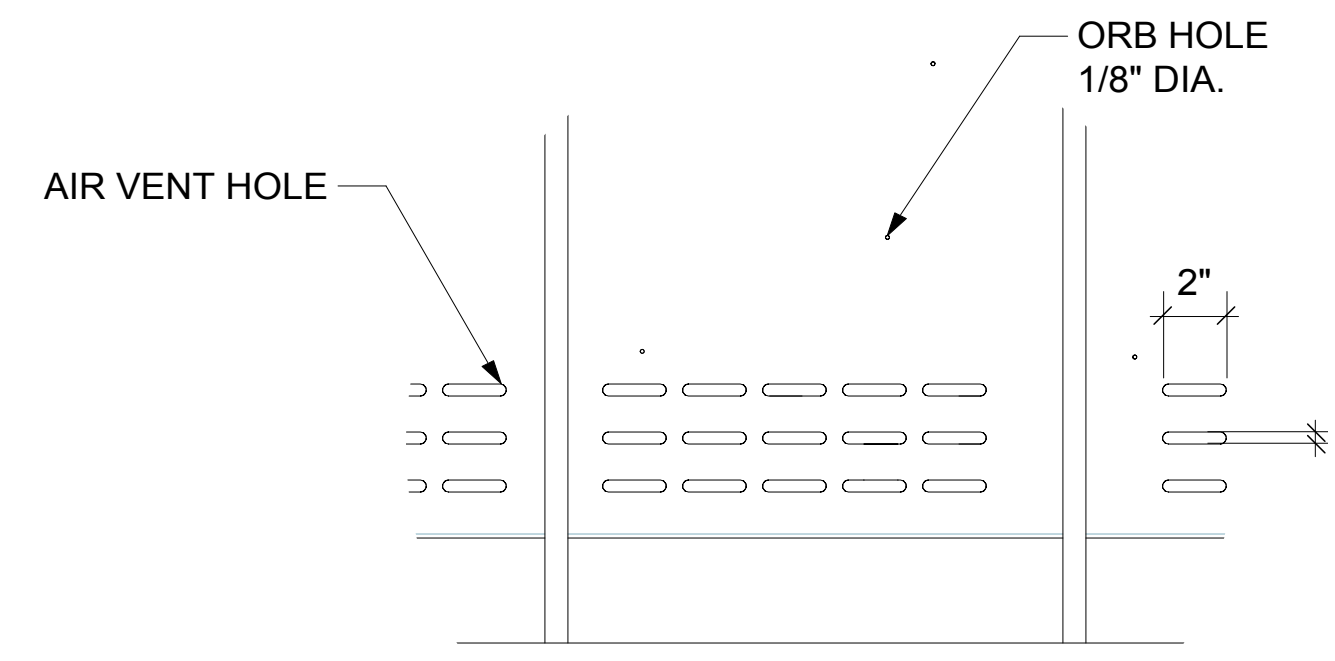
3 FRONT VIEW
Scale: 3/4" = 1'-0"



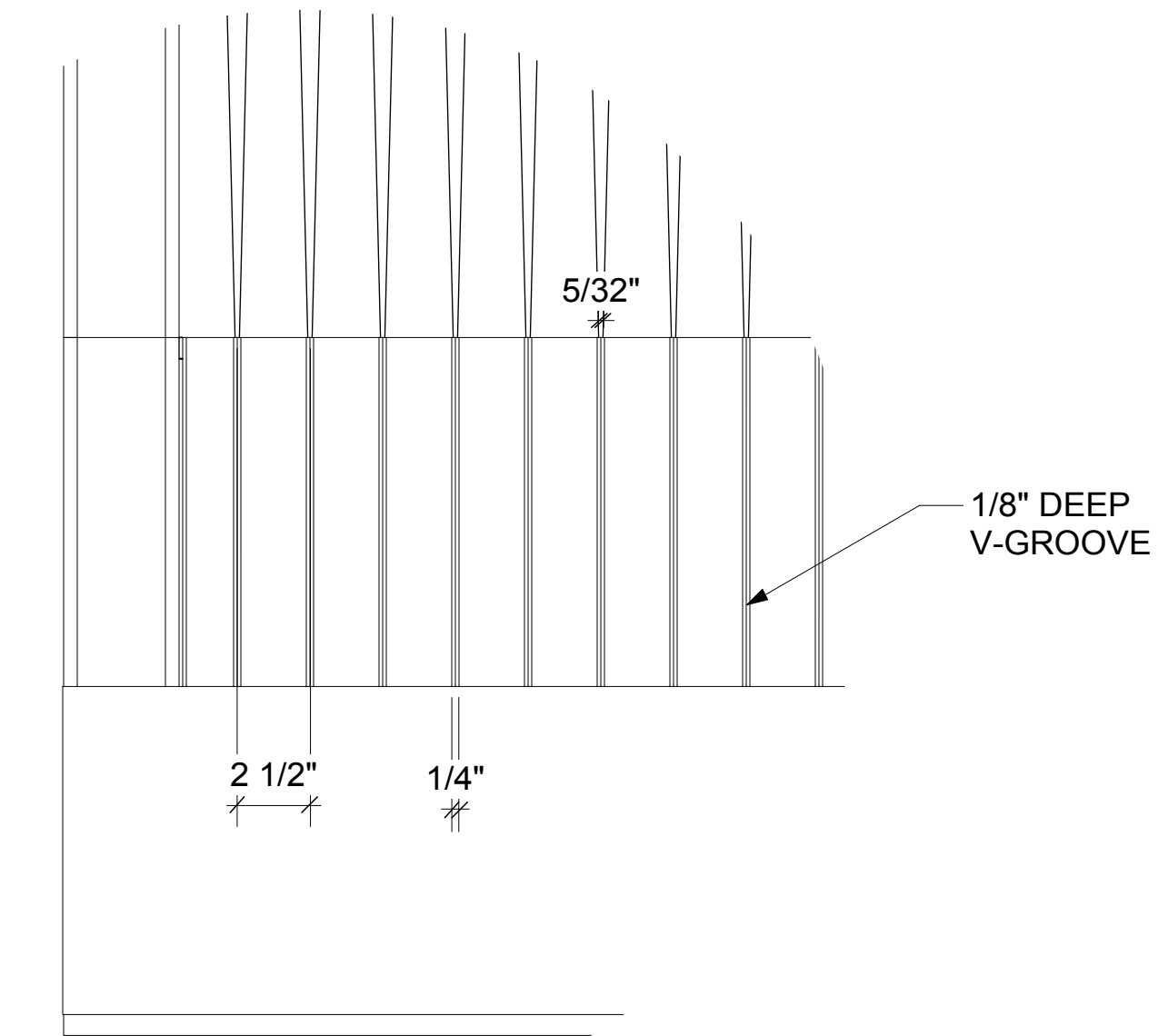
4 BACK VIEW
Scale: 3/4" = 1'-0"



5 BOTTOM VIEW
Scale: 3/4" = 1'-0"



7 VENT AND ORB HOLE
Scale: 2" = 1'-0"



8 SLAT DETAIL
Scale: 2" = 1'-0"

SYMMETRY
event solutions

85 Engineers Rd.
Hauppauge, NY 11788
Office: 347.534.2950
www.symmetryeventsolutions.com

Client

Dyson

Project

IN STORE
ACTIVATION

Notes:

THE INFORMATION CONTAINED IN THIS DRAWING IS THE SOLE PROPERTY OF SYMMETRY EVENT SOLUTIONS INC. ANY REPRODUCTION IN PART OR AS WHOLE WITHOUT THE WRITTEN PERMISSION OF SYMMETRY EVENT SOLUTIONS INC. IS PROHIBITED.

Drawn By:

JR

Date:

10-18-17

File Name:

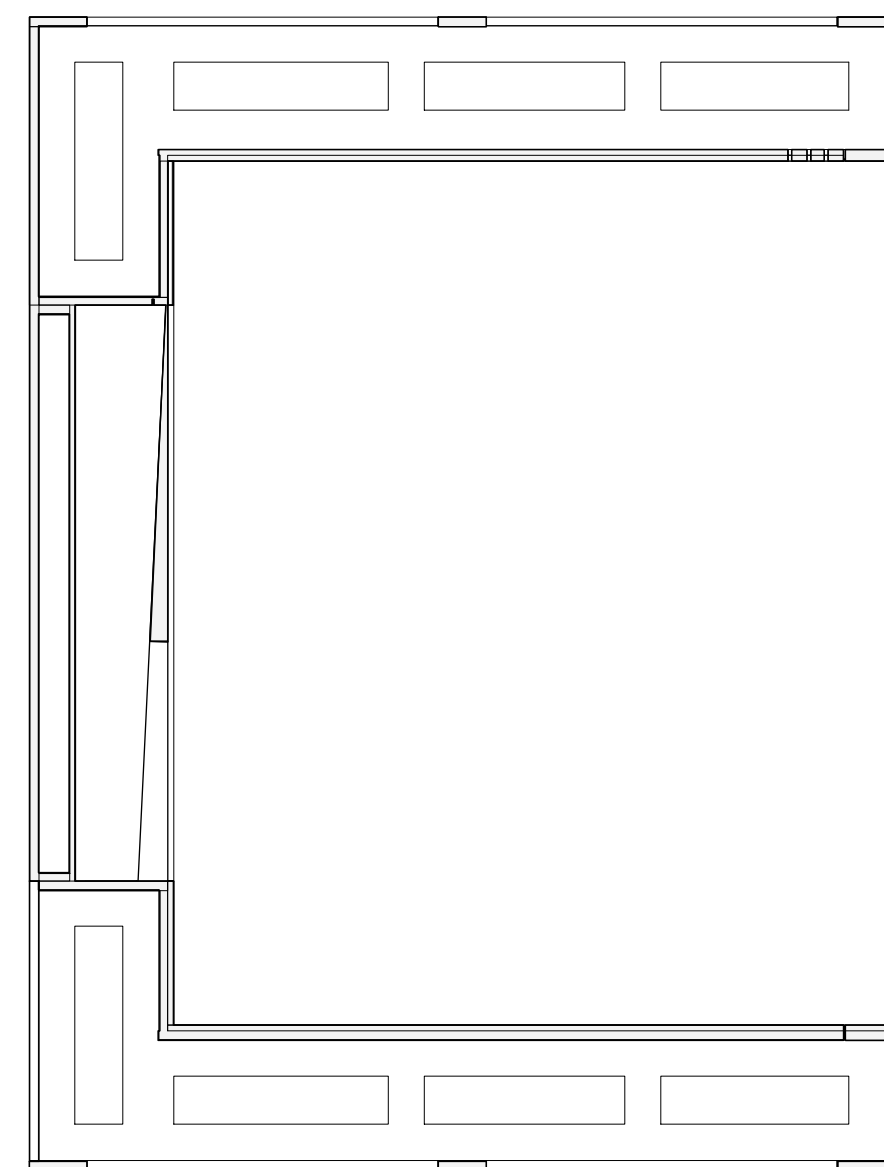
ORB

Scale

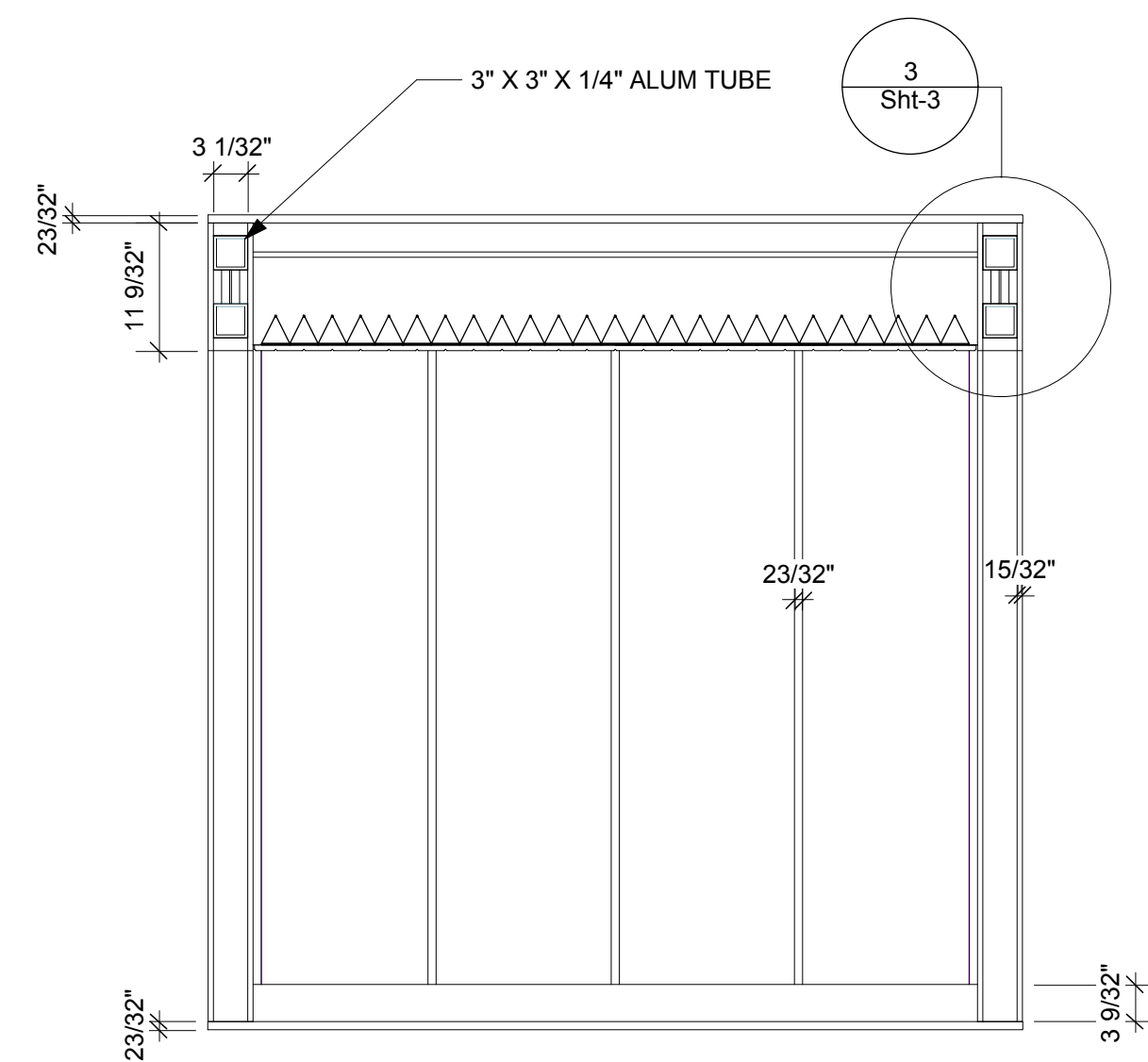
AS NOTED

DRAWING #:

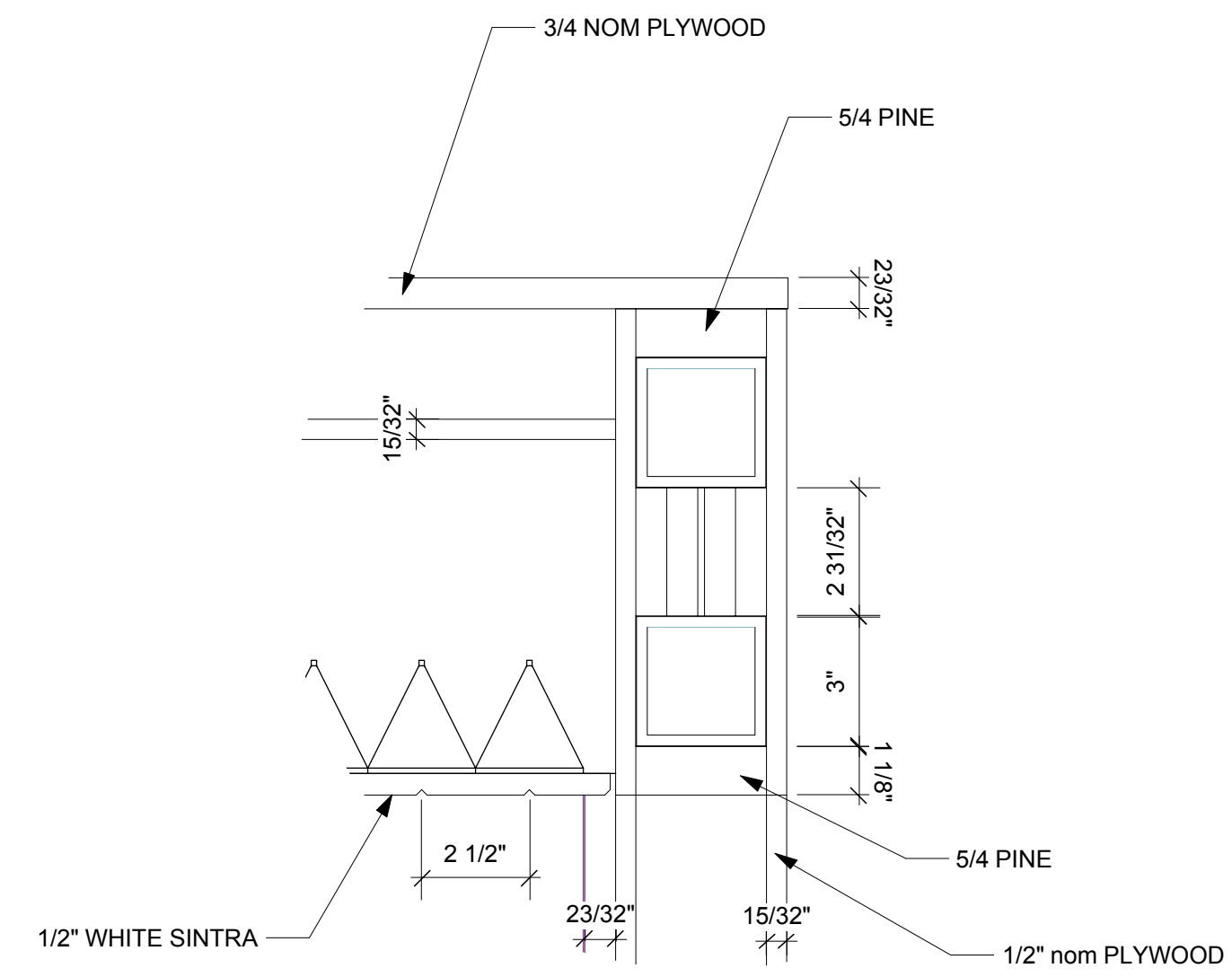
CD-1.1



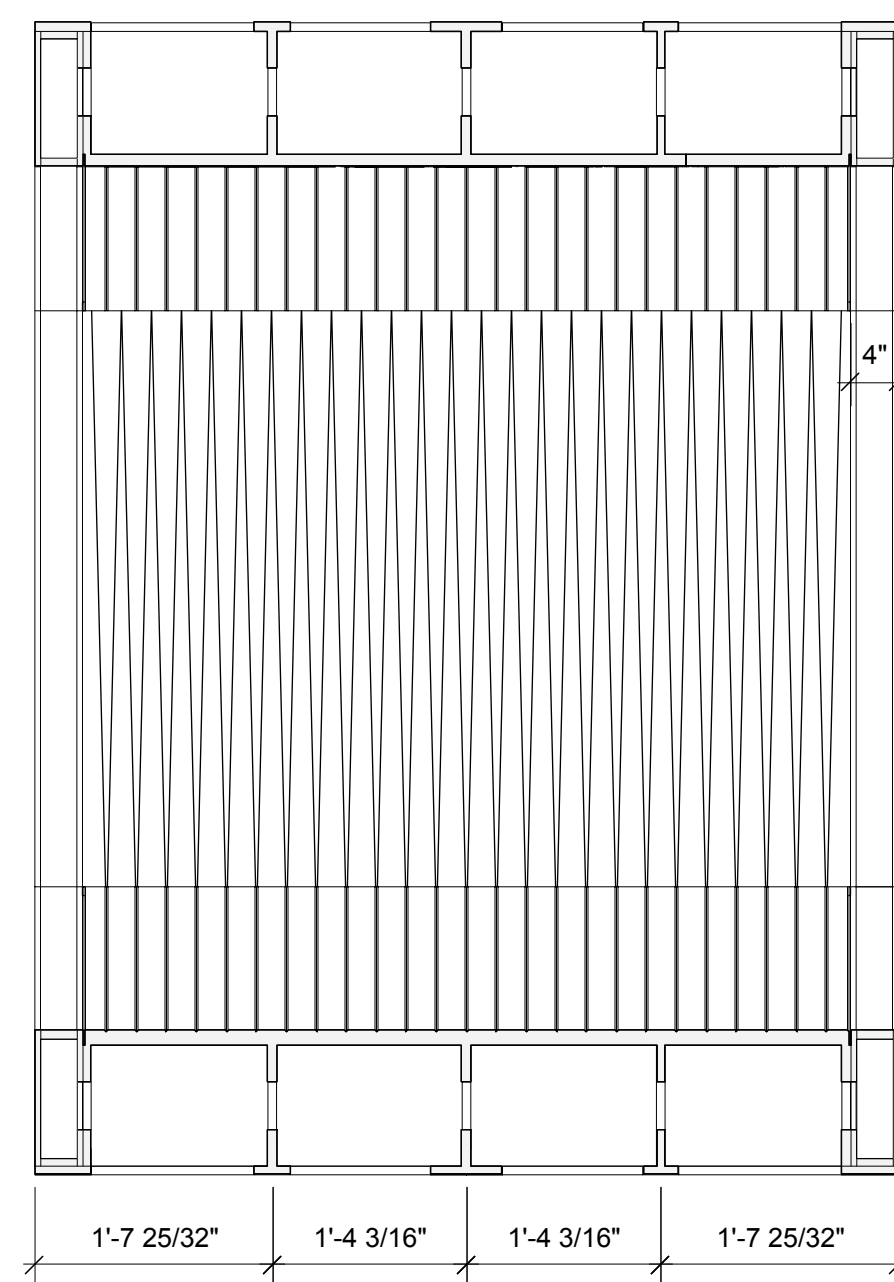
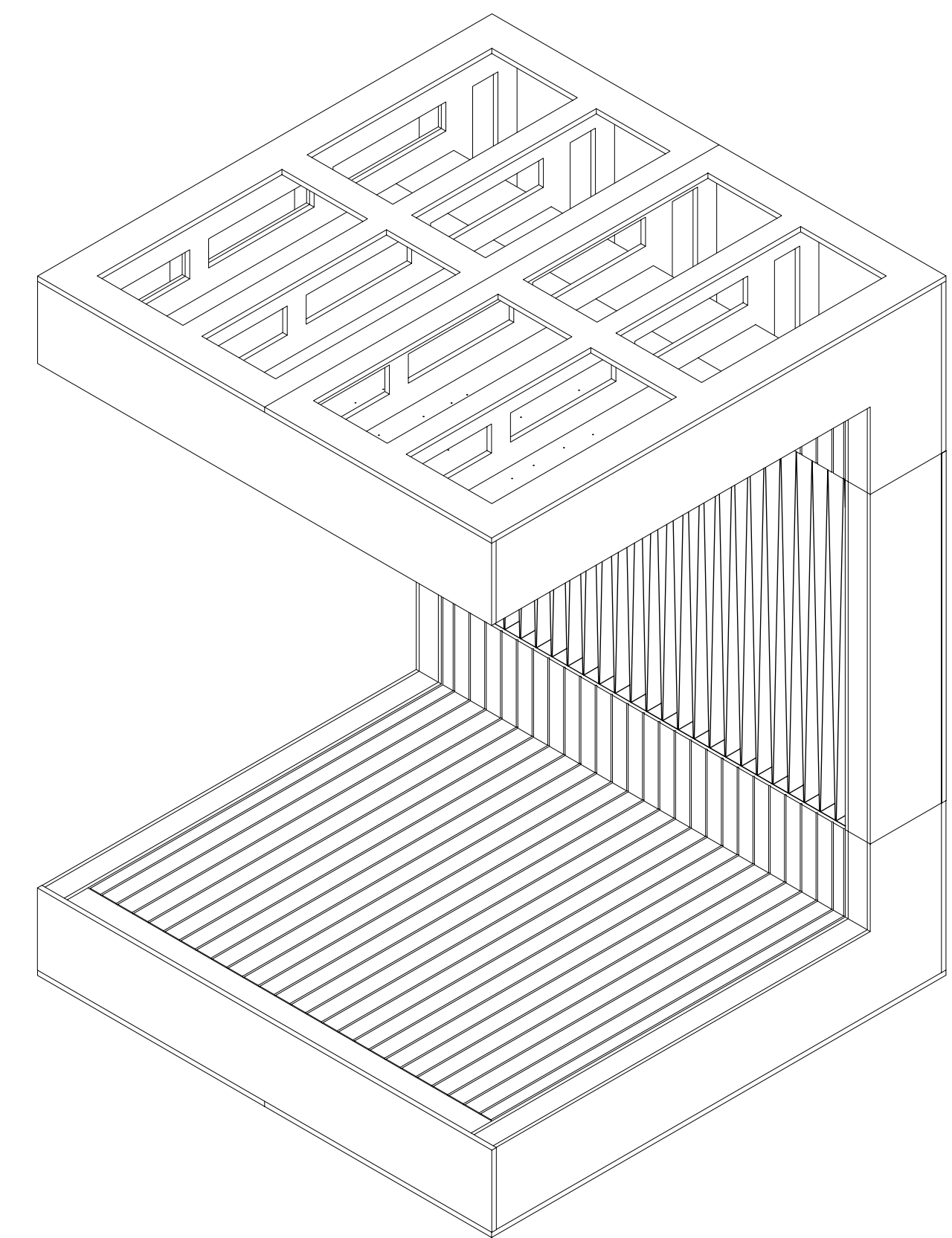
1 SECTION
Scale: 3/4" = 1'-0"



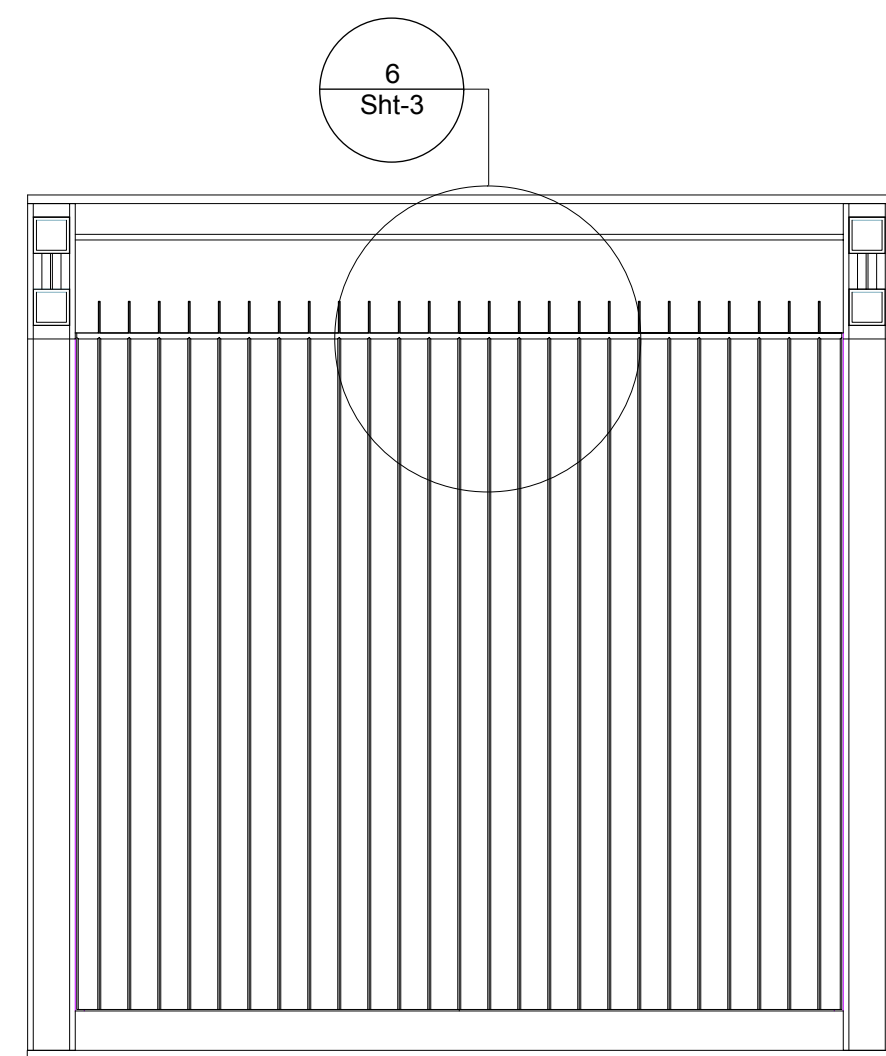
2 PLAN VIEW
Scale: 3/4" = 1'-0"



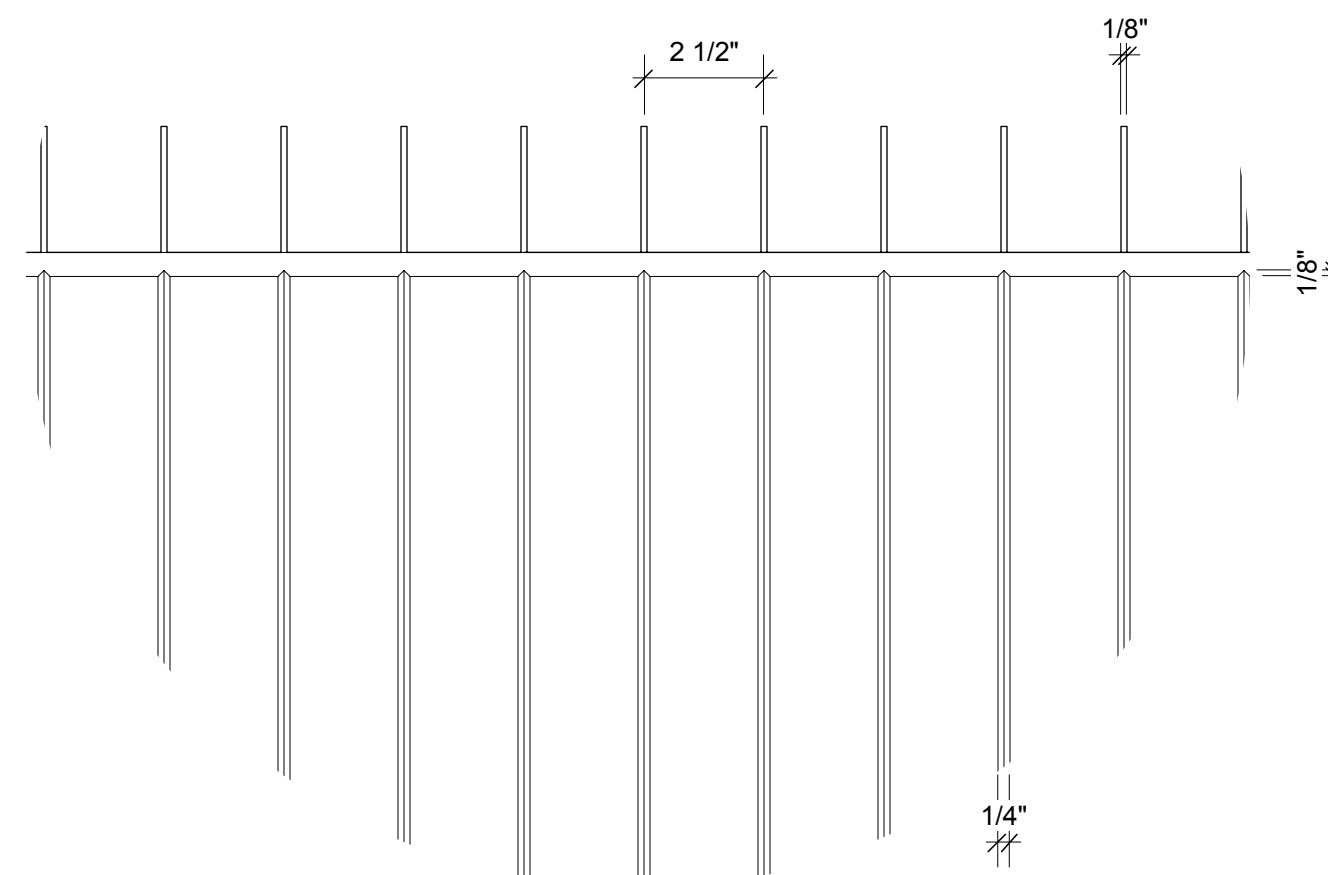
3 SPLICE DETAIL
Scale: 3" = 1'-0"



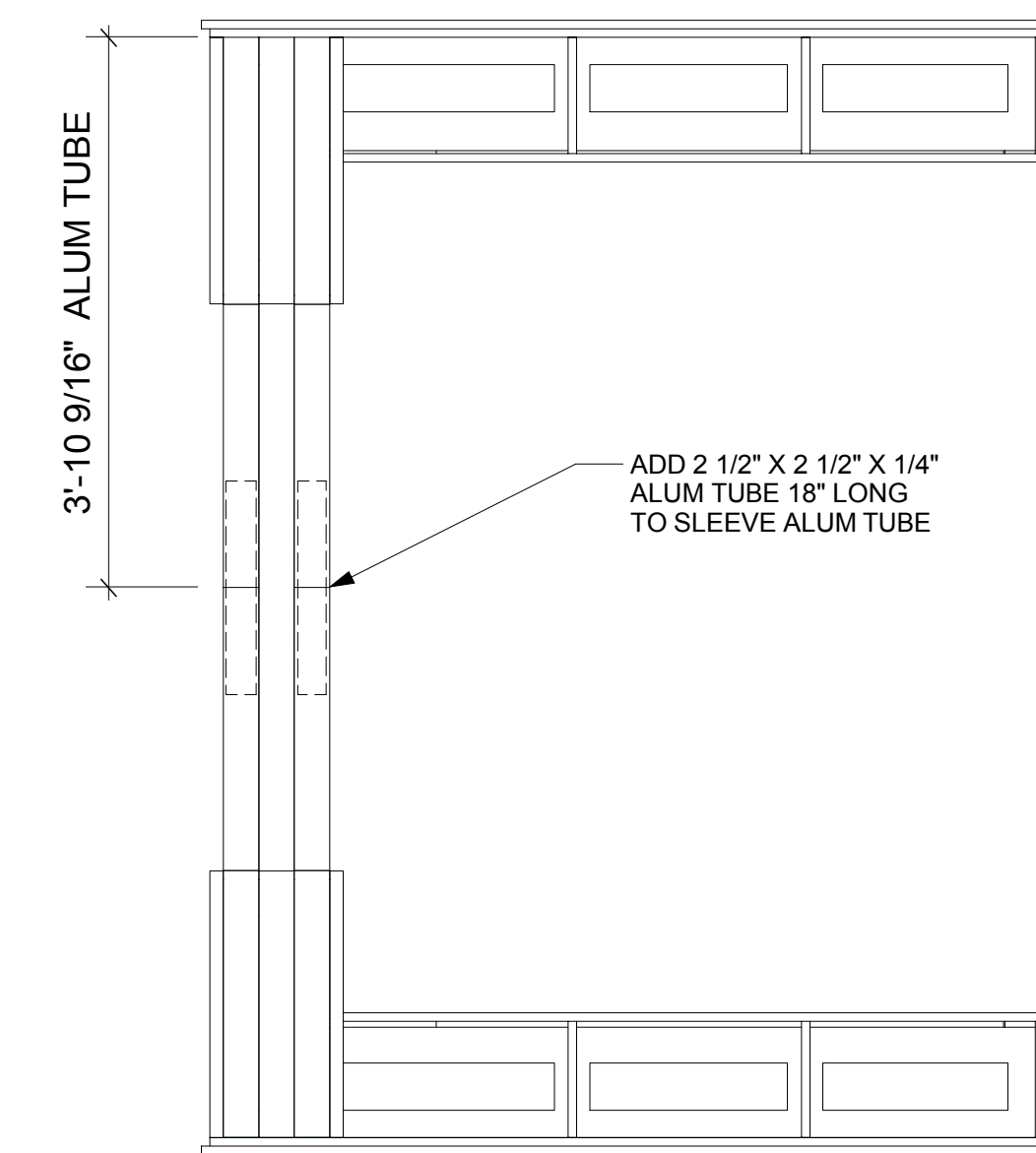
4 SECTION
Scale: 3/4" = 1'-0"



5 PLAN VIEW
Scale: 3/4" = 1'-0"



6 SLOTS
Scale: 3" = 1'-0"



9 SHOW SPLICE
Scale: 3/4" = 1'-0"

SYMMETRY
event solutions

85 Engineers Rd.
Hauppauge, NY 11788
Office: 347.534.2950
www.symmetryeventsolutions.com

Client

Dyson

Project

IN STORE
ACTIVATION

Notes:

THE INFORMATION CONTAINED IN THIS DRAWING IS THE SOLE PROPERTY OF SYMMETRY EVENT SOLUTIONS INC. ANY REPRODUCTION IN PART OR AS WHOLE WITHOUT THE WRITTEN PERMISSION OF SYMMETRY EVENT SOLUTIONS INC. IS PROHIBITED.

Drawn By:

JR

Date:

10-18-17

File Name:

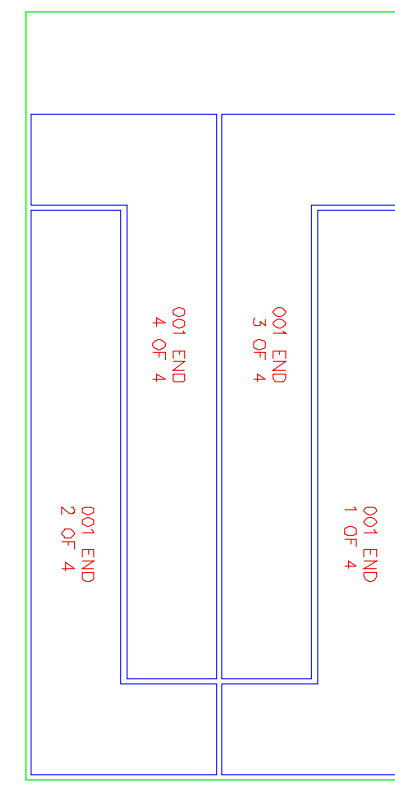
ORB

Scale

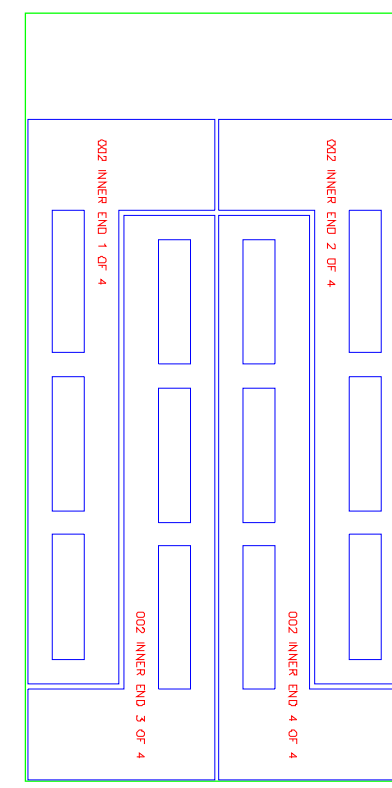
AS NOTED

DRAWING #:

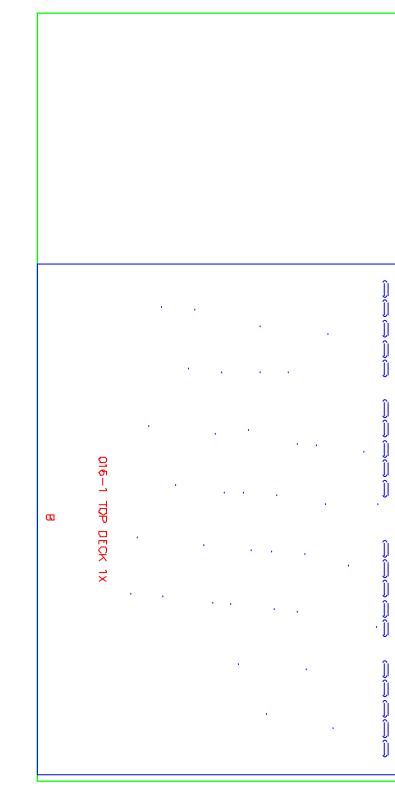
CD-1.3



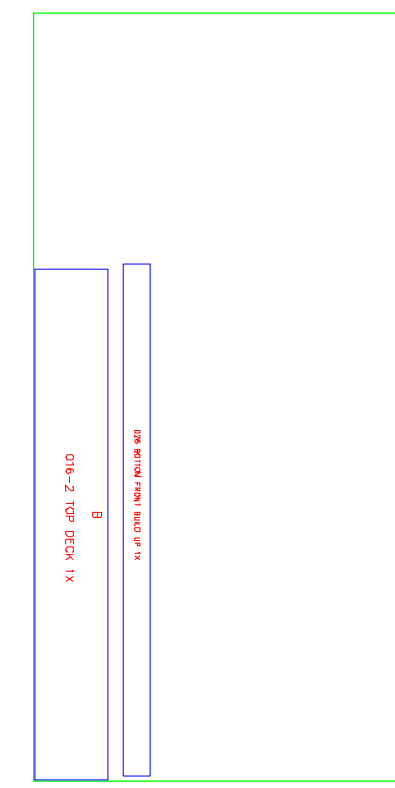
3/4" PLY 15/32
CUT 1 X



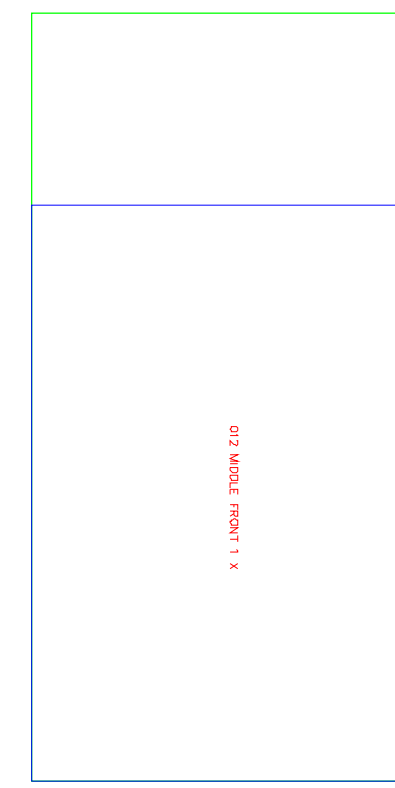
3/4" PLY 15/32
CUT 1 X



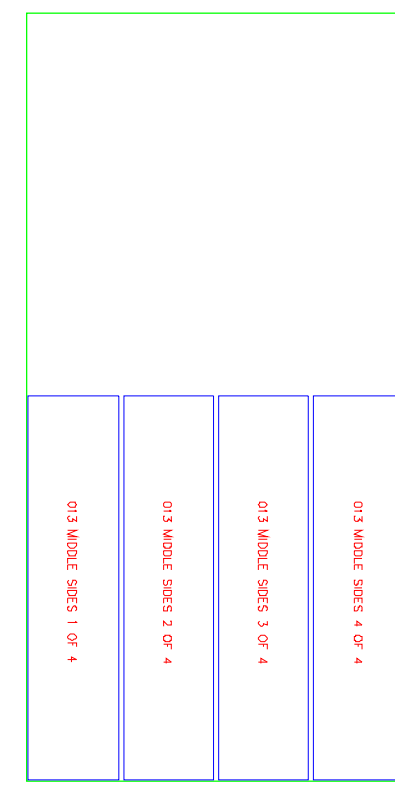
NOTE: 1/8" HOLES DRILLED THROUGH
3/4" PLY 15/32
CUT 1 X



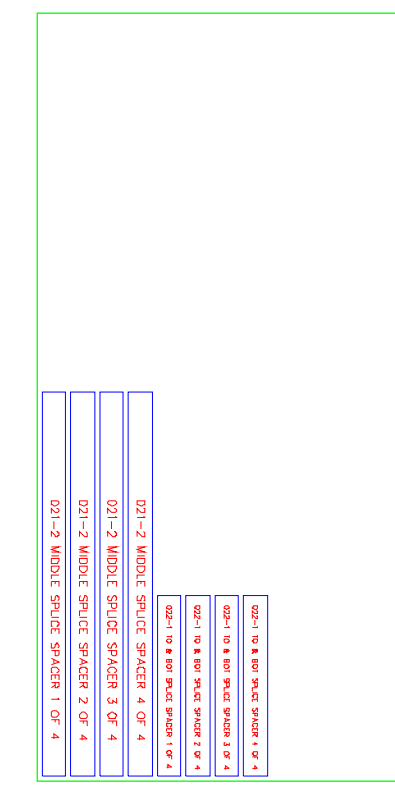
3/4" PLY 15/32
CUT 1 X



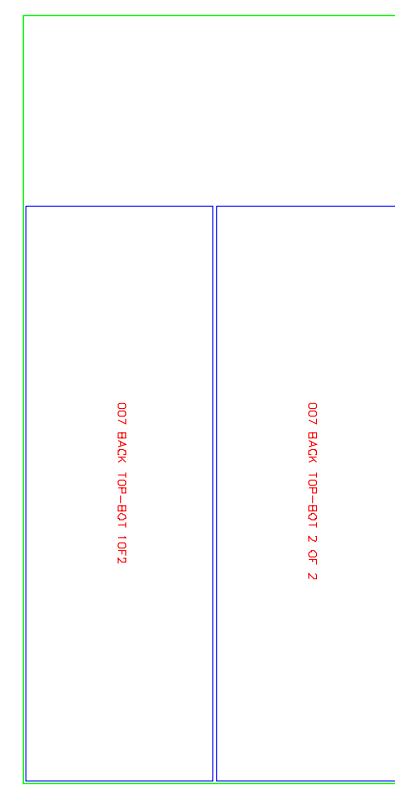
3/4" PLY 15/32
CUT 1 X



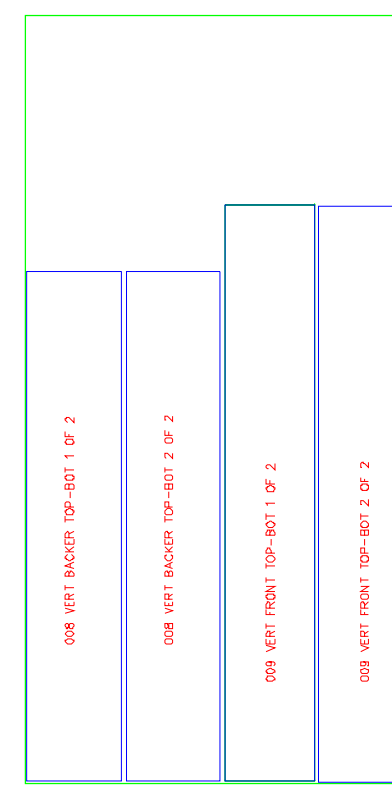
3/4" PLY 15/32
CUT 1 X



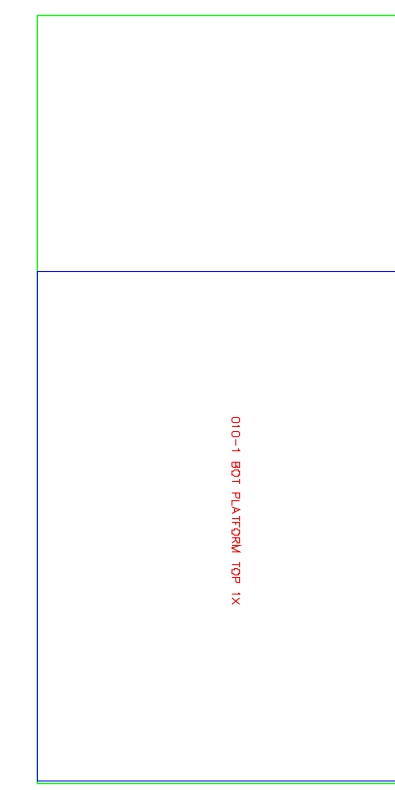
3/4" PLY TOP DRESS
DOWN TO 1/8"
OR
USE 3/8" THICK
MATERIAL
DISCUSS ?



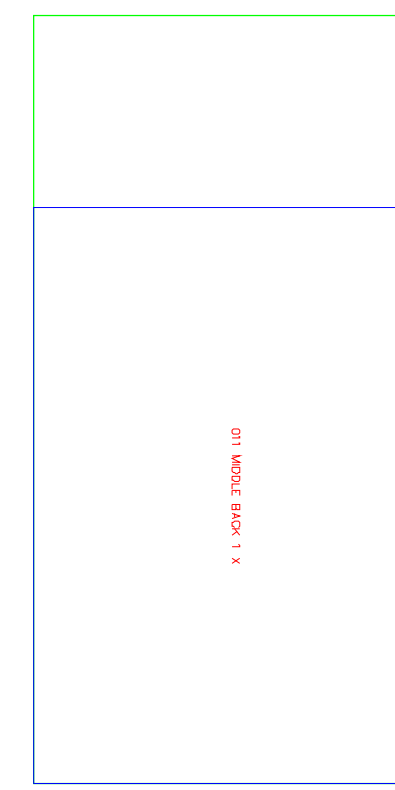
3/4" PLY 15/32
CUT 1 X



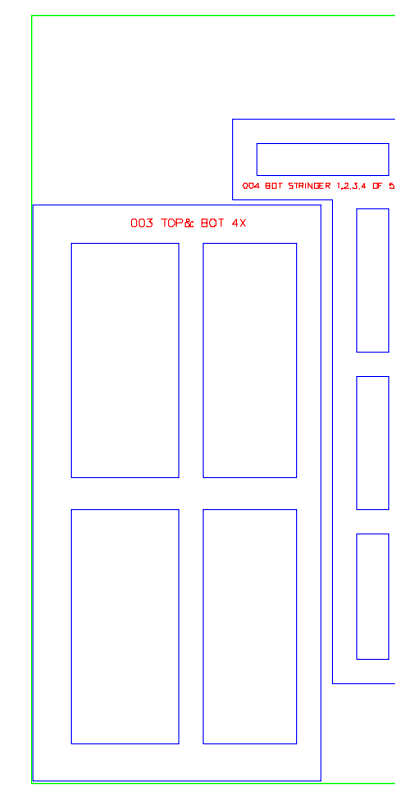
3/4" PLY 15/32
CUT 1 X



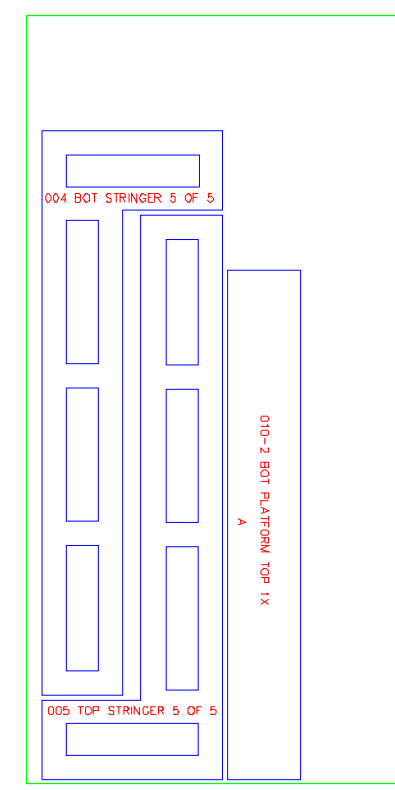
3/4" PLY 15/32
CUT 1 X



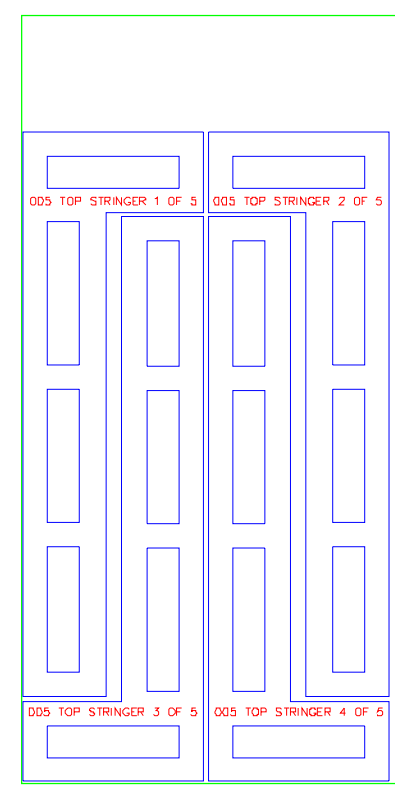
3/4" PLY 15/32
CUT 1 X



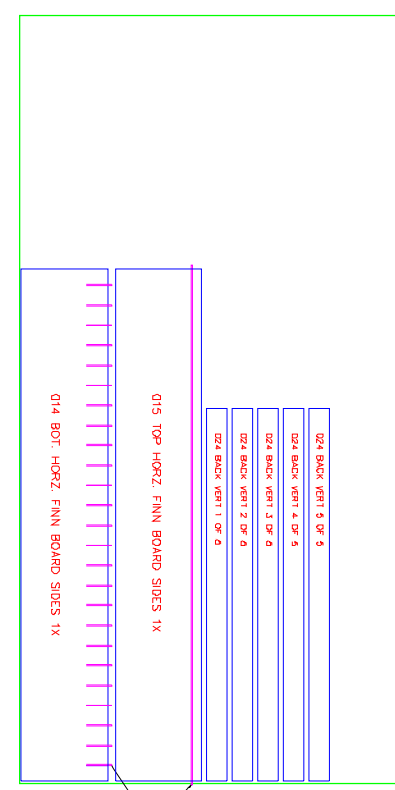
3/4" PLY 15/32
CUT 4 Xs



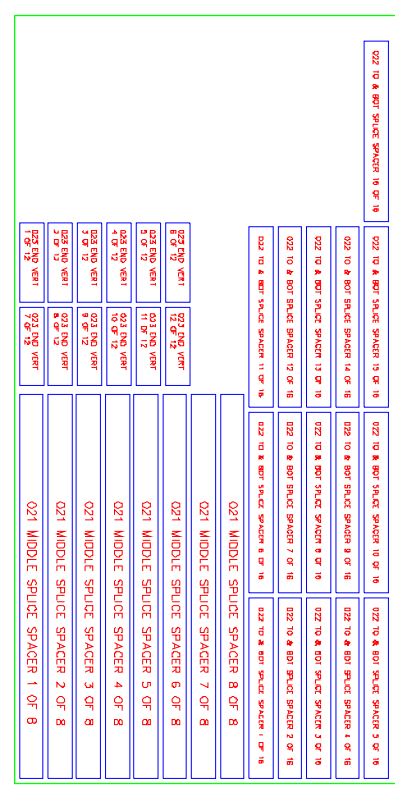
3/4" PLY 15/32
CUT 1 X



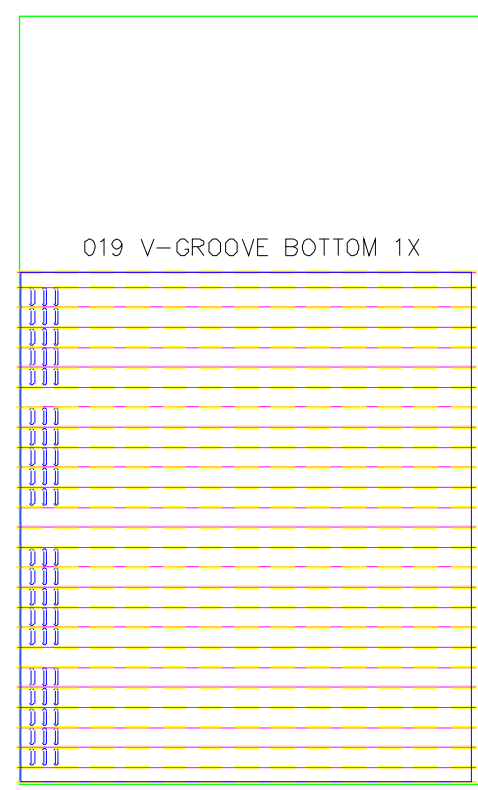
3/4" PLY 15/32
CUT 1 X



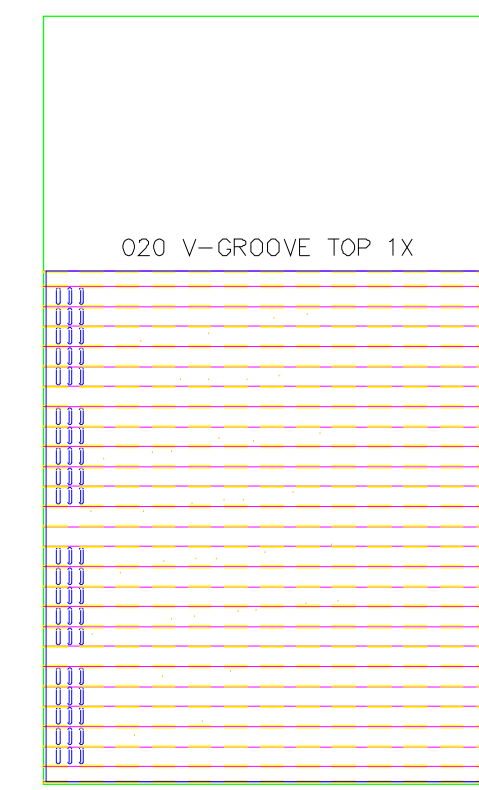
3/4" PLY 15/32
CUT 1 X



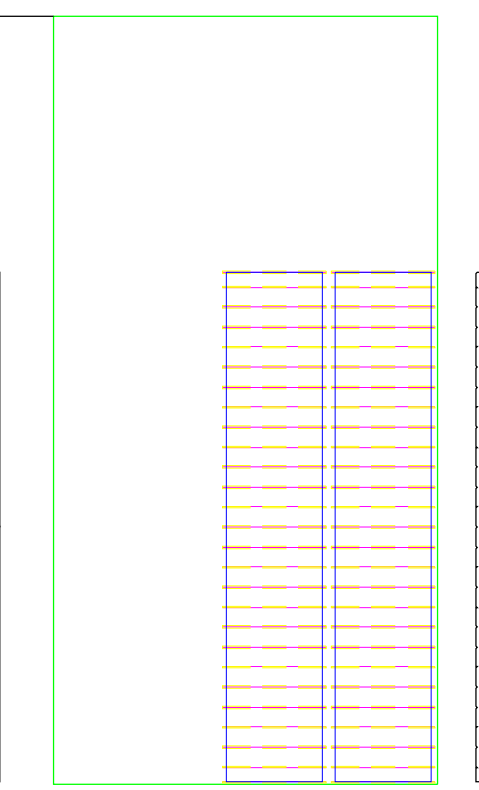
3/4" PLY 15/32
CUT 1 X



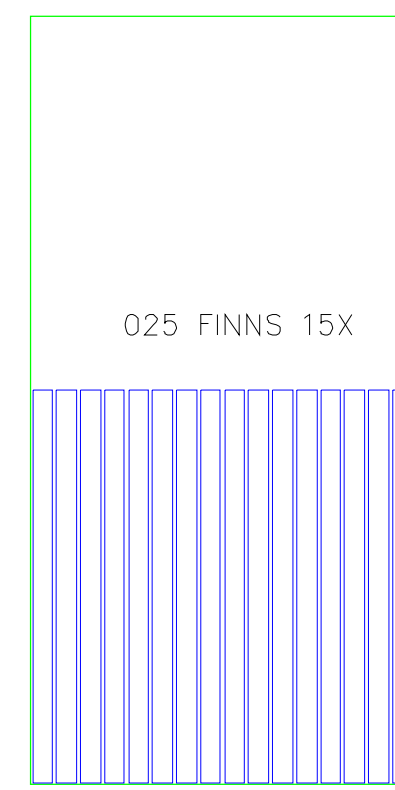
3/4" WHITE SINTRA
CUT 1 X



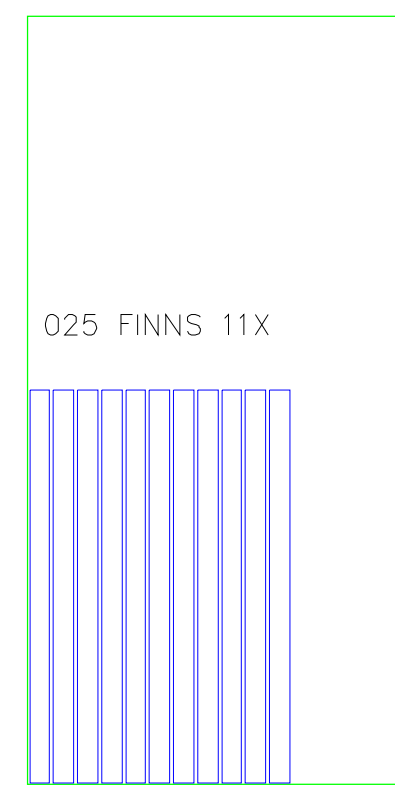
3/4" WHITE SINTRA
CUT 1 X



3/4" WHITE SINTRA
CUT 1 X



1/2" WHITE SINTRA



1/2" WHITE SINTRA

MAGENTA LINE BEVEL BIT TOOL PATH
TURN OFF YELLOW CNC TEMP LAYER
DIAL HOLES DRILLED THROUGH
DIAL HOLES CUT THROUGH
GROOVE 2" WIDE x 2" DEEP

MAGENTA LINE BEVEL BIT TOOL PATH
TURN OFF YELLOW CNC TEMP LAYER
ROUND HOLES DRILLED THROUGH
DIAL HOLES CUT THROUGH
GROOVE 2" WIDE x 2" DEEP

MAGENTA LINE BEVEL BIT TOOL PATH
TURN OFF YELLOW CNC TEMP LAYER
GROOVE 2" WIDE x 2" DEEP

SYMMETRY
EVENT SOLUTIONS

85 Engineers Rd.
Hauppauge, NY 11788
Office: 347.534.2950
www.symmetryeventsolutions.com

Client
Dyson

Project
**IN STORE
ACTIVATION**

Notes:
THE INFORMATION CONTAINED IN THIS
DRAWING IS THE SOLE PROPERTY OF
SYMMETRY EVENT SOLUTIONS INC. ANY
REPRODUCTION IN PART OR AS WHOLE
WITHOUT THE WRITTEN PERMISSION OF
SYMMETRY EVENT SOLUTIONS INC. IS
PROHIBITED.

Drawn By:
JR

Date:
10-18-17

File Name:
**DIYSON
ORB
CNC-10-18-17**

Scale
1/2" = 1'-0"

Version:
1