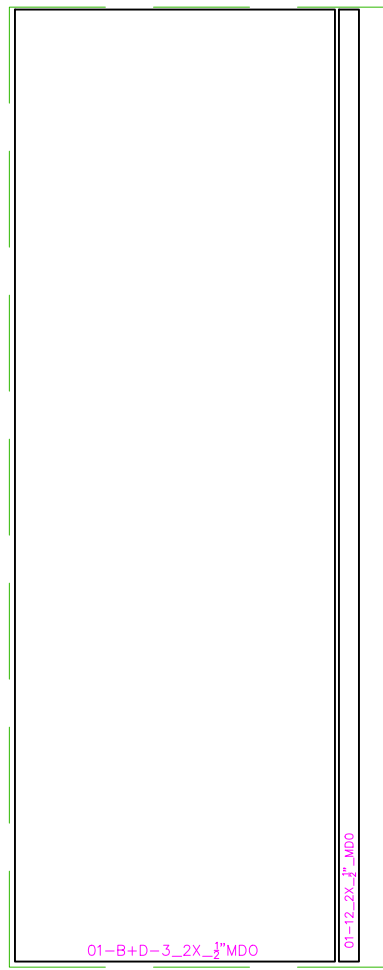
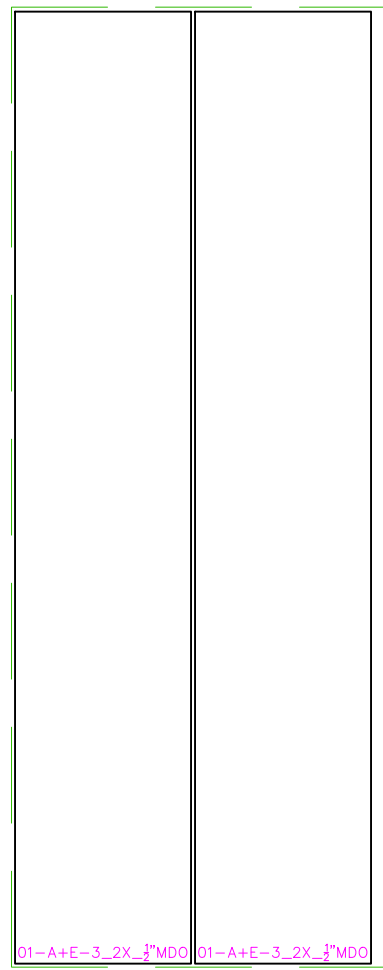




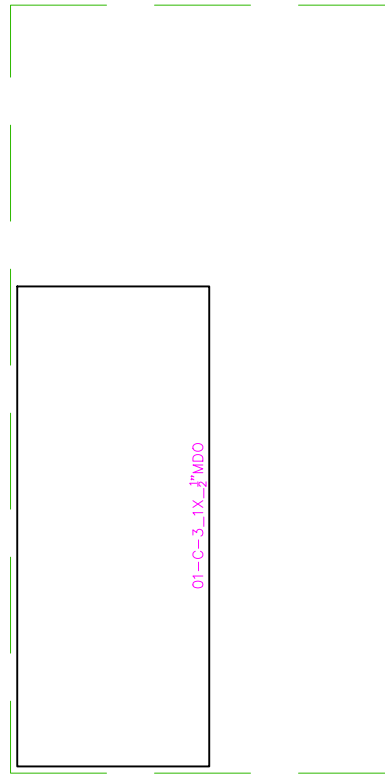
dyson



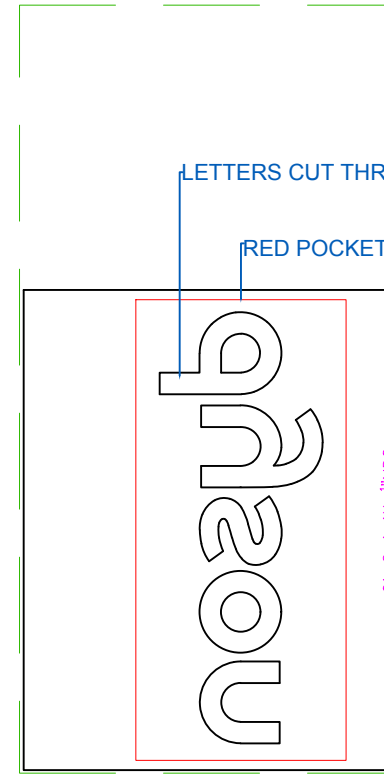
CUT 2 $\frac{1}{2}$ "
MDO



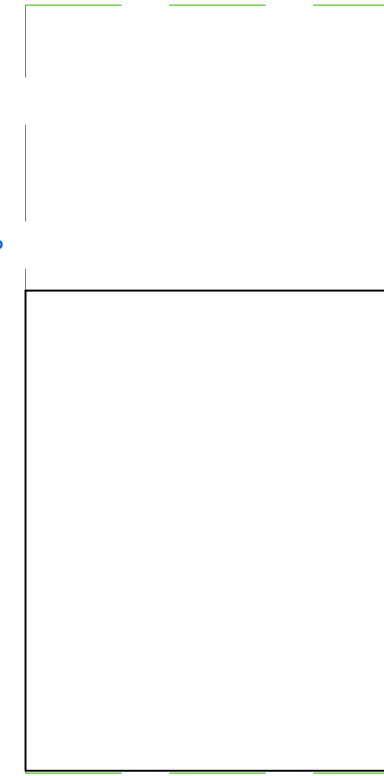
CUT 1 $\frac{1}{2}$ "
MDO



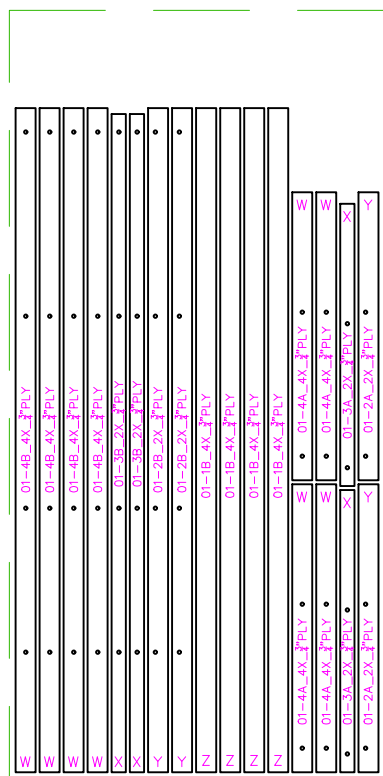
CUT 1 $\frac{1}{2}$ "
MDO



CUT 1 $\frac{1}{2}$ "
MDO



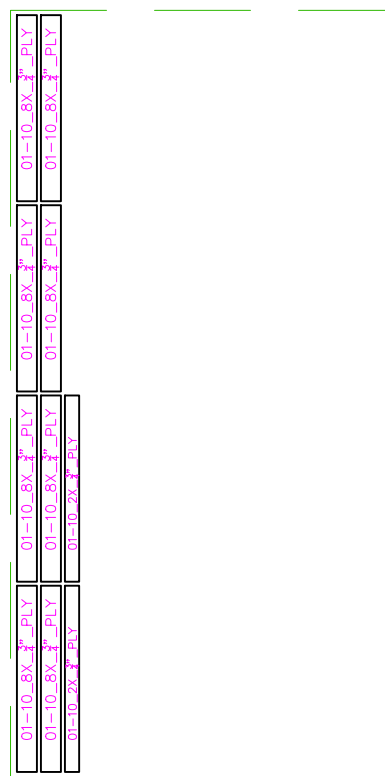
CUT 1 $\frac{1}{2}$ "
MDO



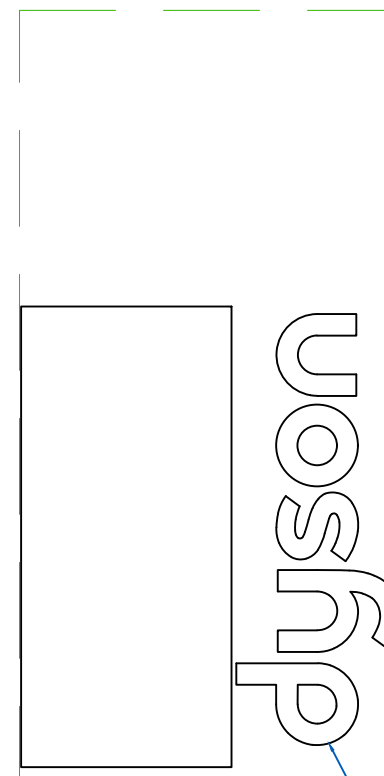
CUT 1 $\frac{3}{4}$ "
PLYWOOD



CUT 1 $\frac{3}{4}$ "
PLYWOOD




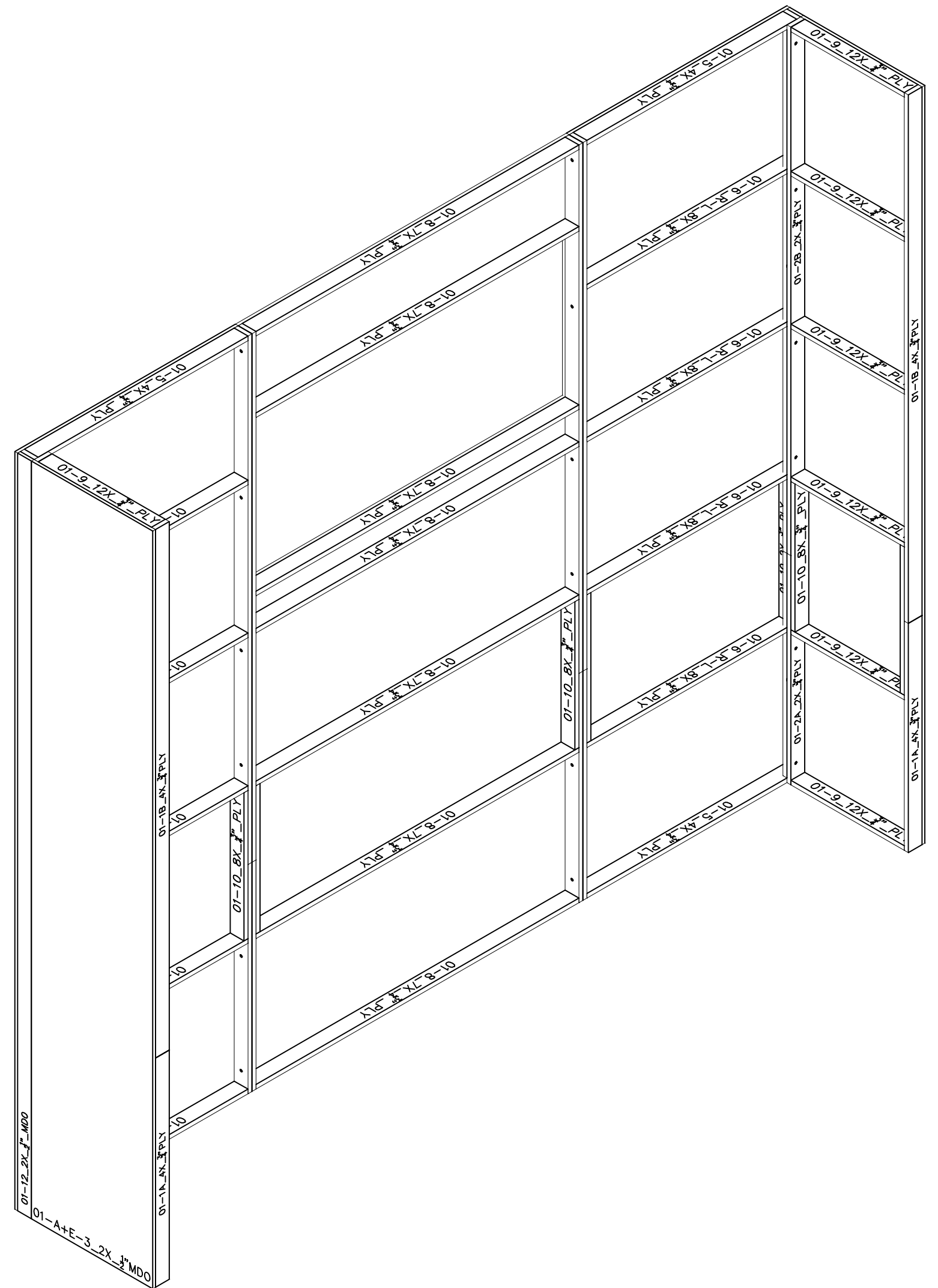
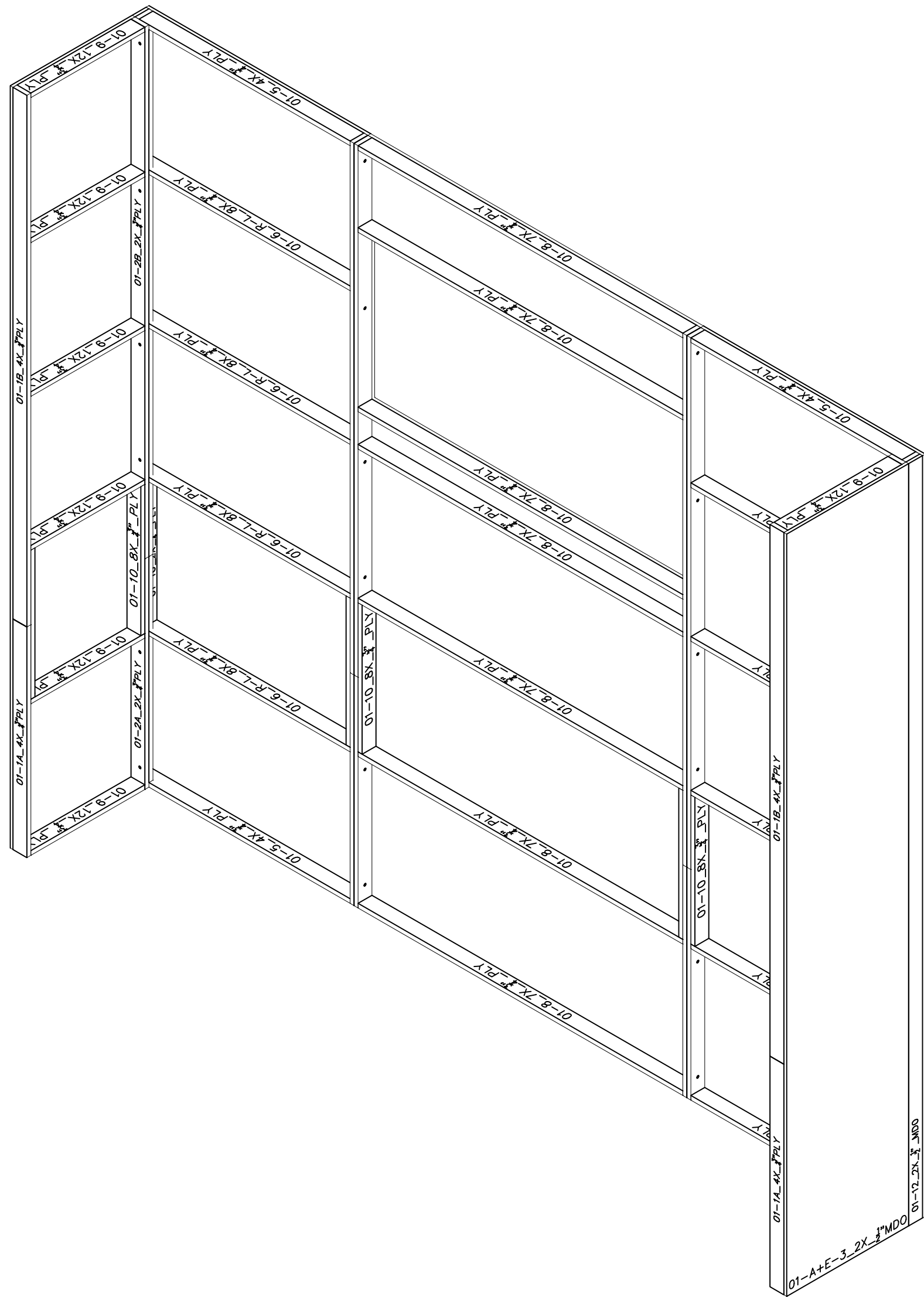
CUT 1 $\frac{3}{4}$ "
PLYWOOD




CUT 1
 $\frac{1}{4}$ " OPAL WHITE
ACRYLIC

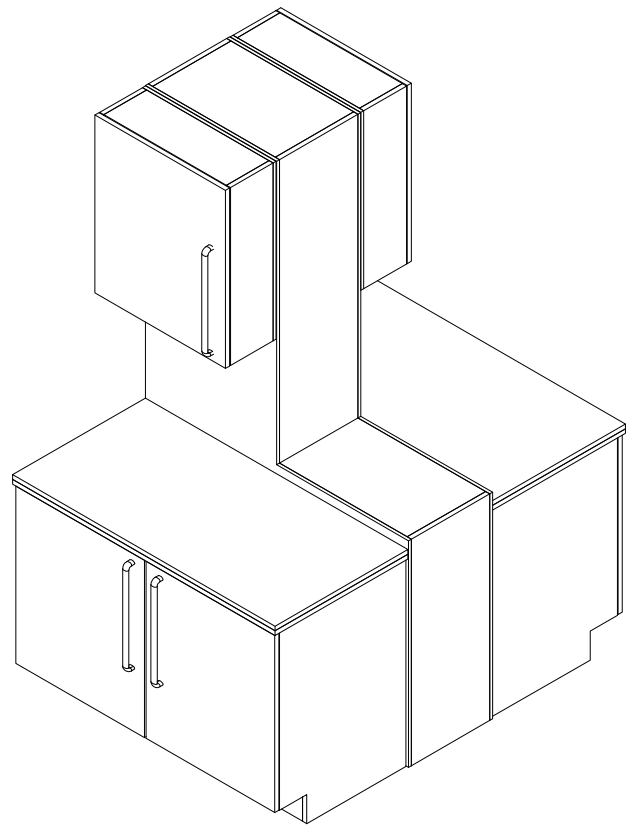
LETTERS MAY NEED TO BE
 $\frac{5}{16}$ " THICK IF MATT BLACK
WALL FINISH IS LAMINATE

	Client DYSON	Project Title DYSON MEDIA LAUNCH 2018	Drawing Name MAIN LOBBY LOGO WALL	Date 02-15-18	Scale 1/2" = 1'-0"
	Project Number 00	Drawing Size 13 X 19	File Name xxx	Drawn By JROMEO	Drawing # CNC-2.1

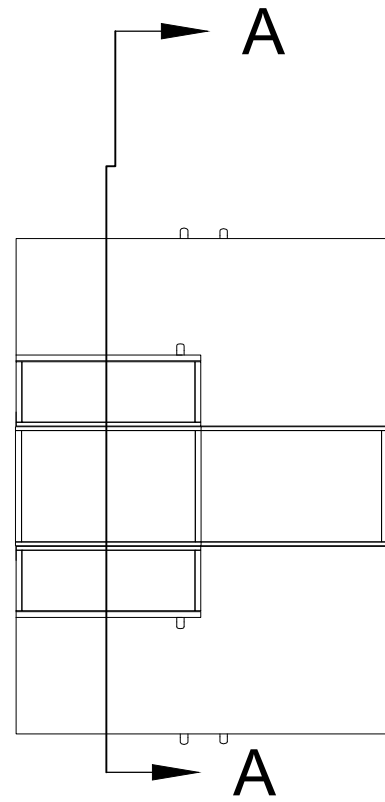


	Client	DYSON	Project Title	DYSON MEDIA LAUNCH 2018	Drawing Name	MAIN LOBBY LOGO WALL	Date	02-15-18	Scale	AS NOTED
	Project Number	00	Drawing Size	13 X 19	Drawn By	JROMEO	Drawing #	01.03	File Name	ML_dyson_LOGO_WALL_02-16-18_8.30_AM_06

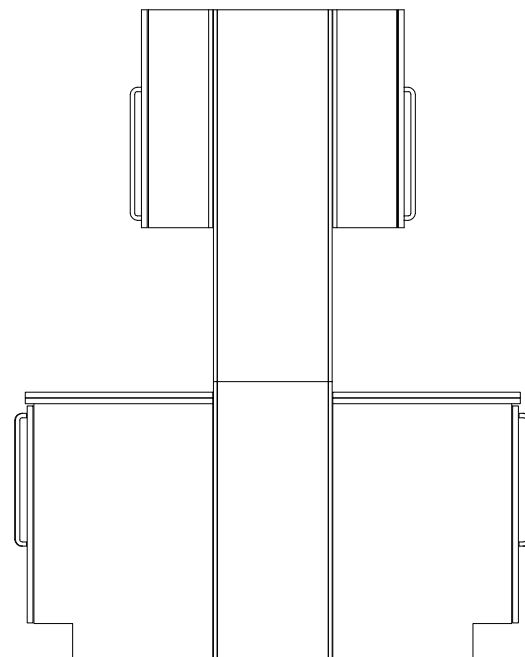




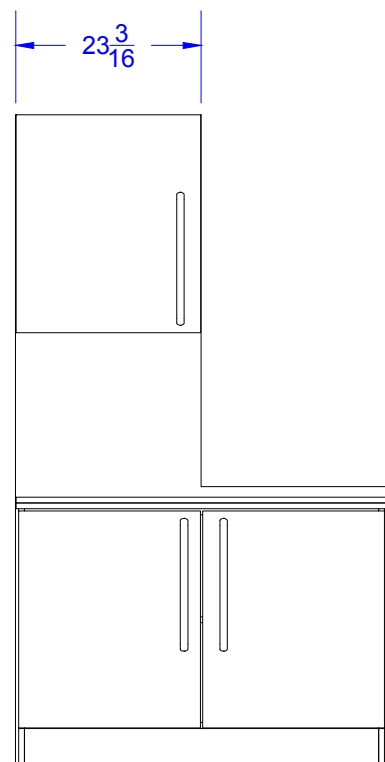
1 ISO VIEW
Scale: 1/2"=1'-0"



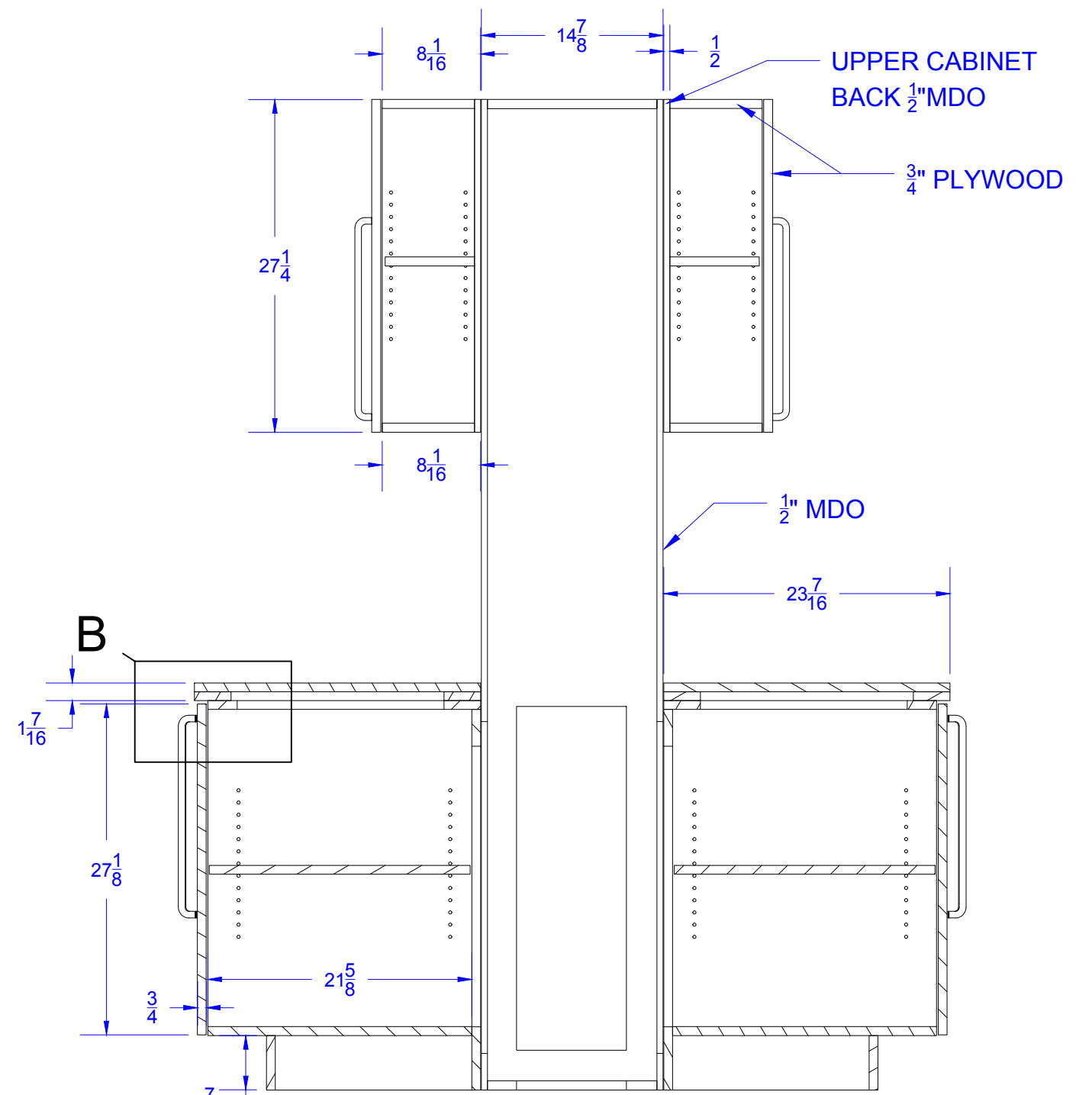
2 PLAN VIEW
Scale: 1/2"=1'-0"



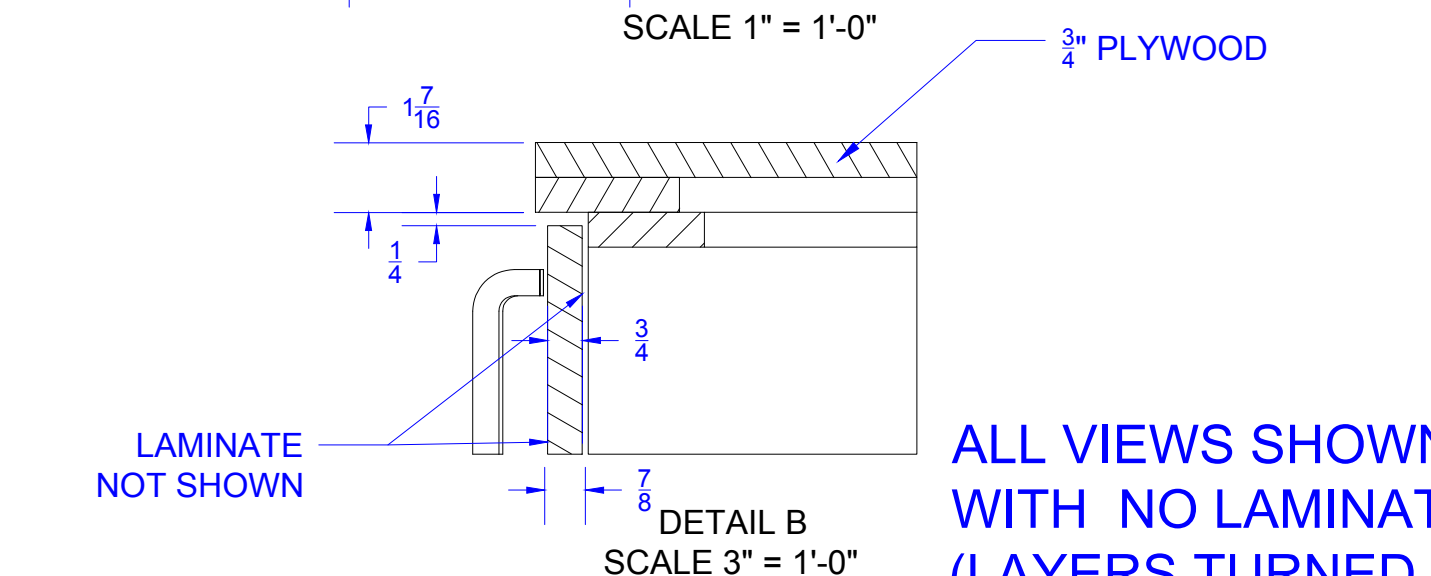
3 SIDE VIEW
Scale: 1/2"=1'-0"



4 FRONT VIEW
Scale: 1/2"=1'-0"

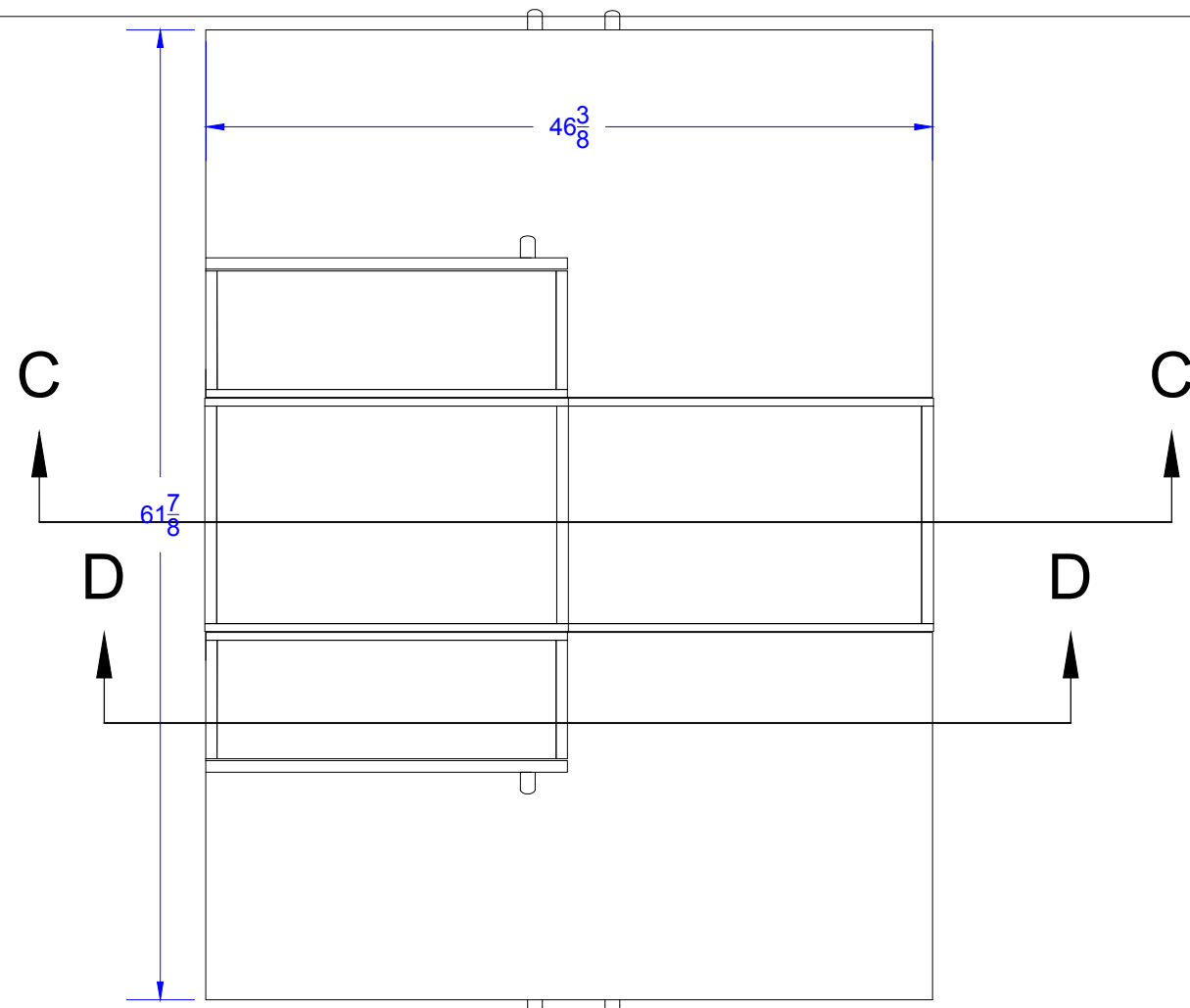


SECTION A-A
SCALE 1" = 1'-0"

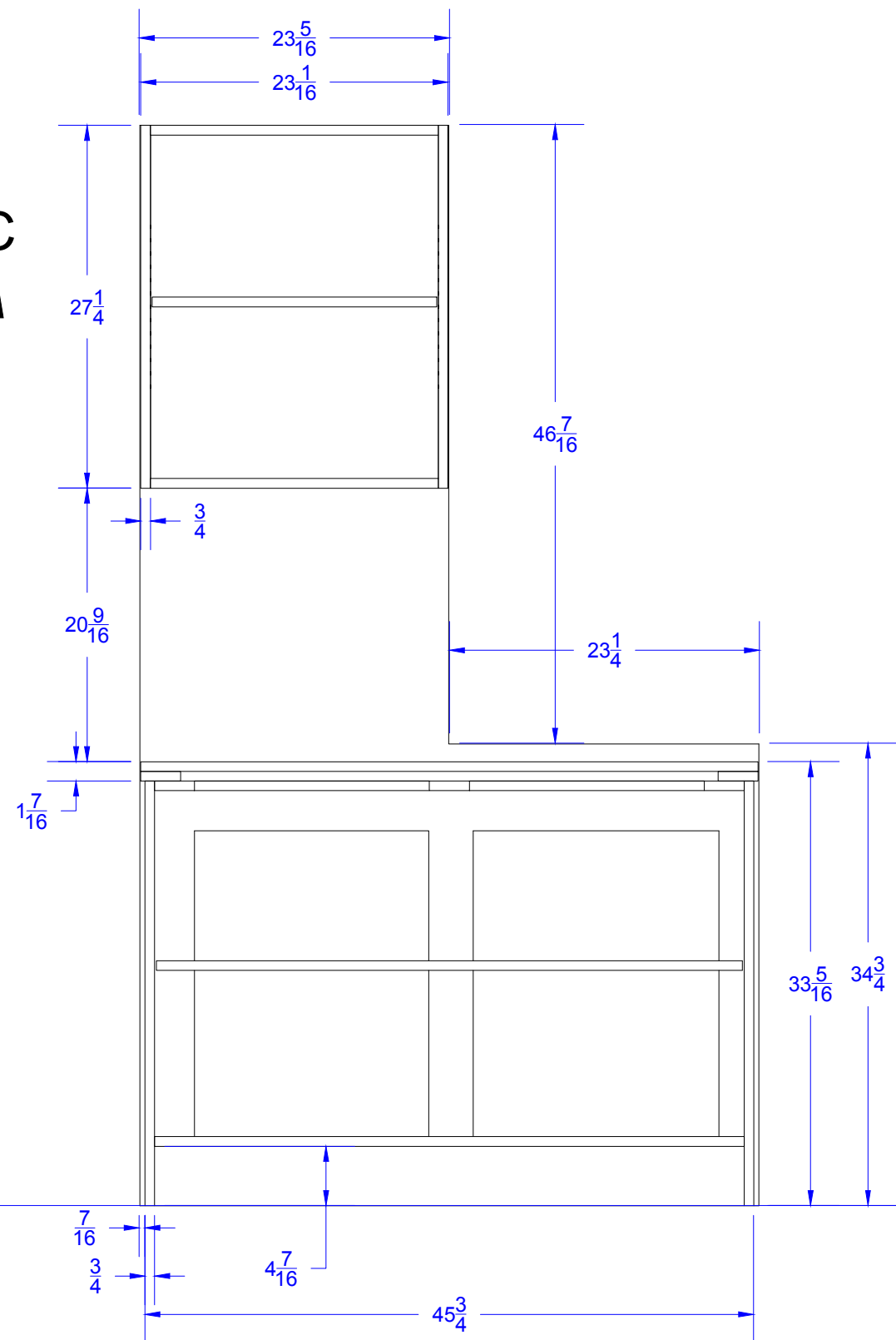


ALL VIEWS SHOWN WITH NO LAMINATE (LAYERS TURNED OFF)

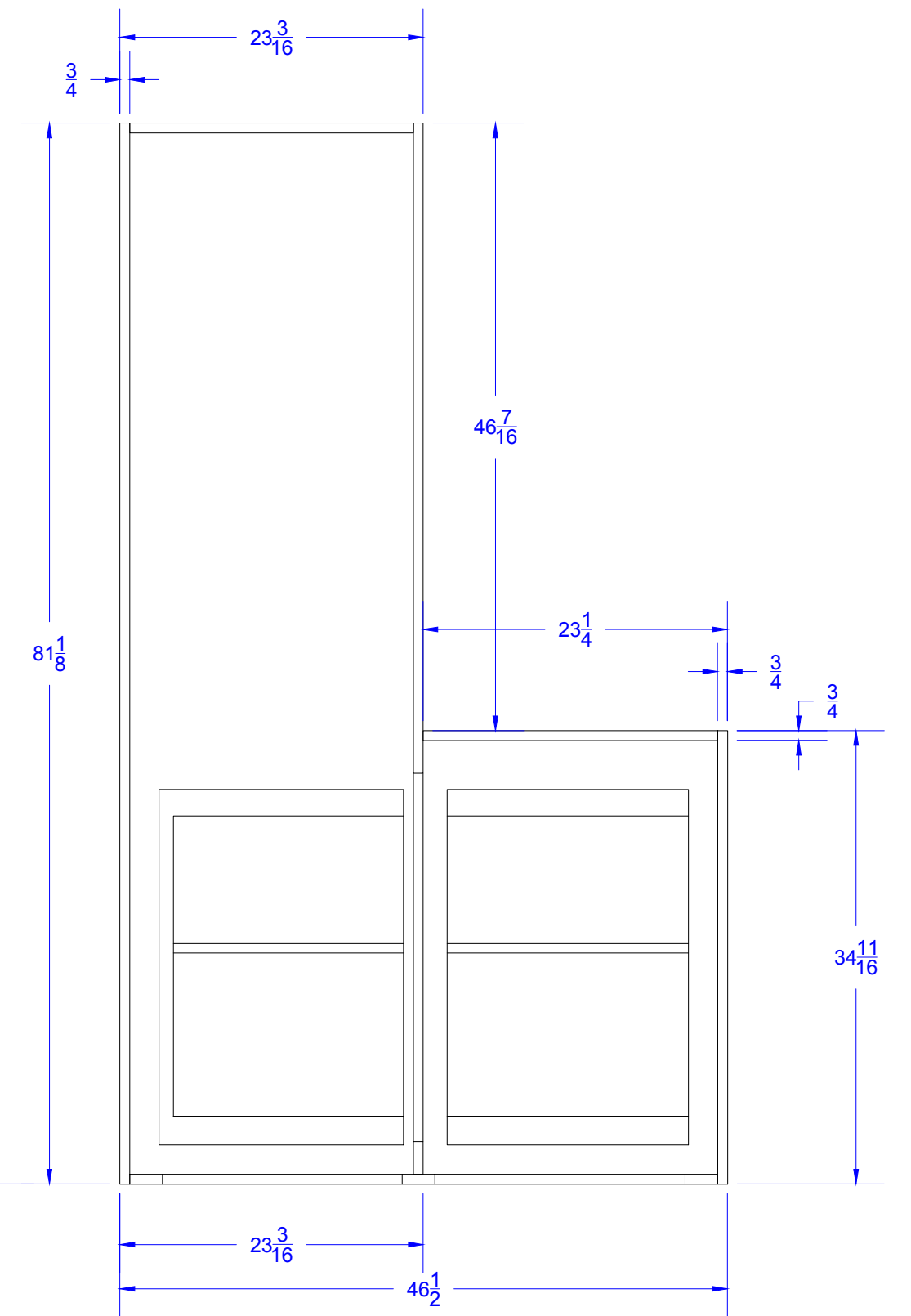
	Client	DYSON	Project Title	DYSOM MEDIA LAUNCH 2018	Drawing Name	DEMO AREA CABINET UNIT	Date	02-26-18	Scale	AS NOTED
	Project Number	00	Drawing Size	13 X 19	Drawn By	JROMEO	Drawing #	08.02	File Name	DEMO_AREA_CAB_FNL_02-26-18_2.30_PM



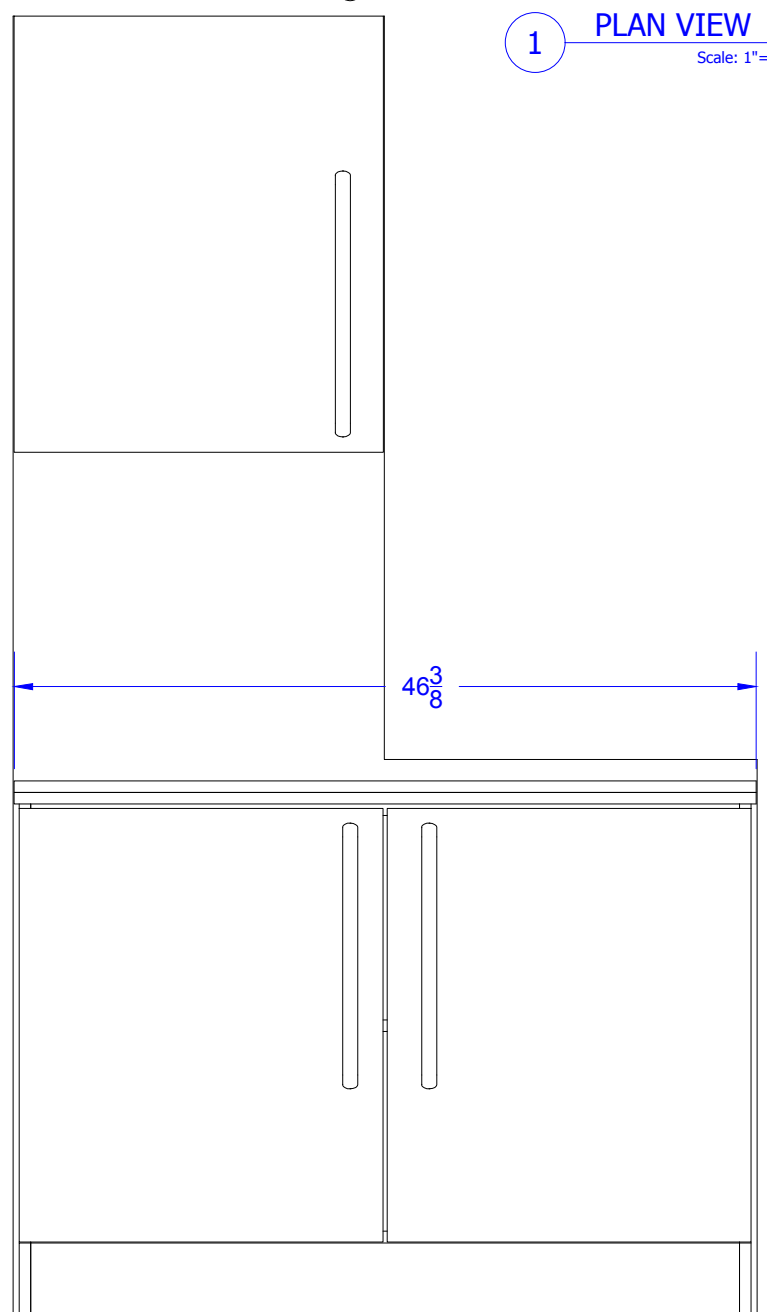
1 PLAN VIEW
Scale: 1" = 1'-0"



SECTION D-D
SCALE 1" = 1'-0"



SECTION C-C
SCALE 1" = 1'-0"

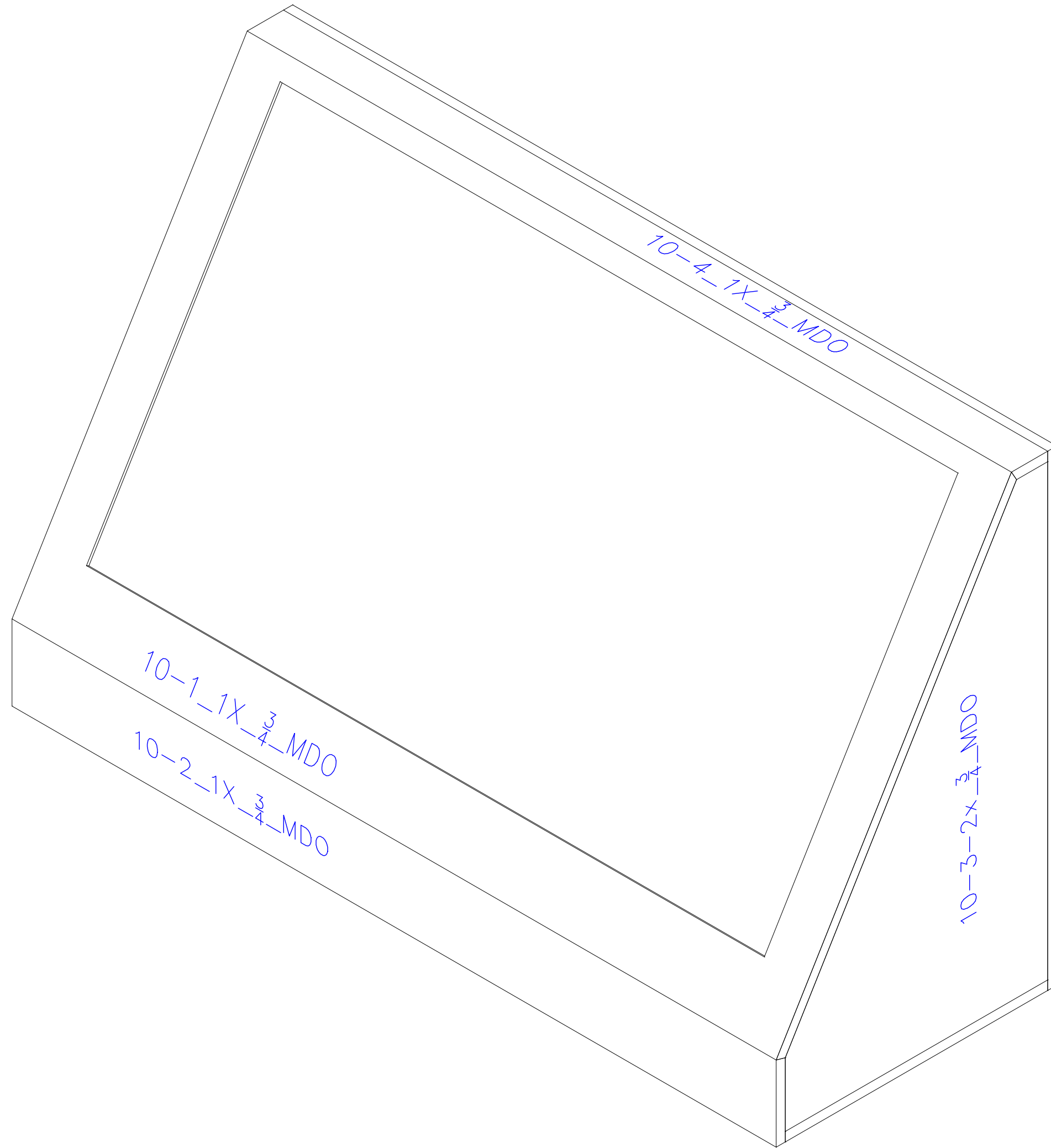



2 FRONT VIEW
Scale: 1" = 1'-0"

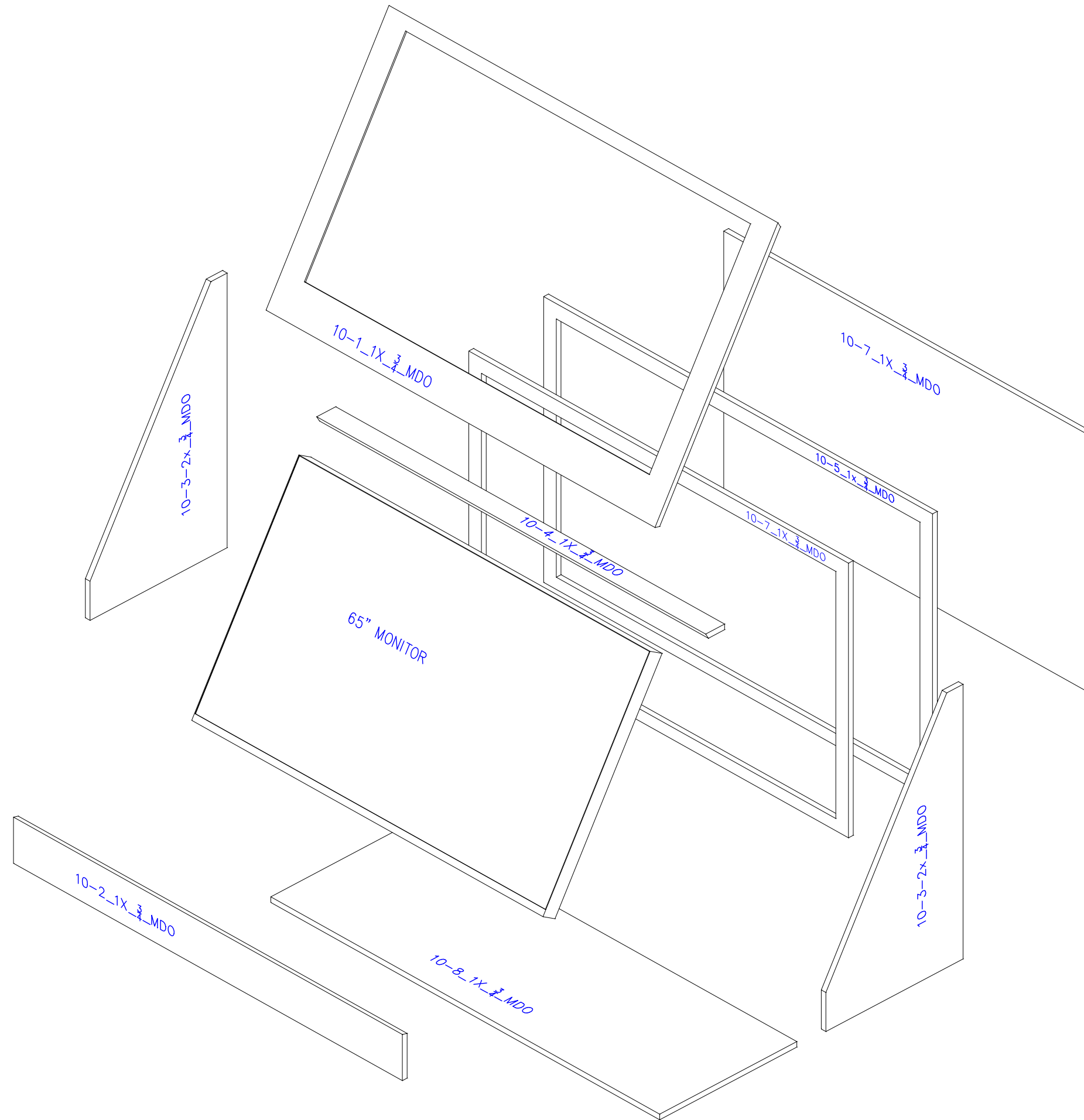
ALL VIEWS SHOWN
WITH NO LAMINATE
(LAYERS TURNED OFF)

	Client	DYSON	Project Title	DYSOM MEDIA LAUNCH 2018	Drawing Name	DEMO AREA CABINET UNIT	Date	02-26-18	Scale	AS NOTED
	Project Number	00	Drawing Size	13 X 19	Drawn By	JROMEO	File Name	DEMO_AREA_CAB_FNL_02-26-18_2_30_PM	Drawing #	08.03

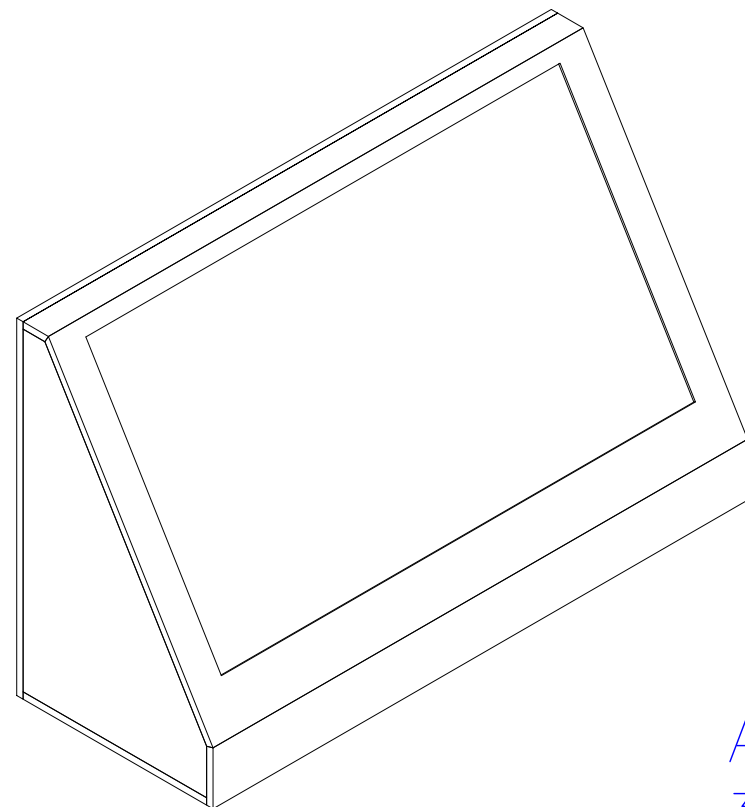
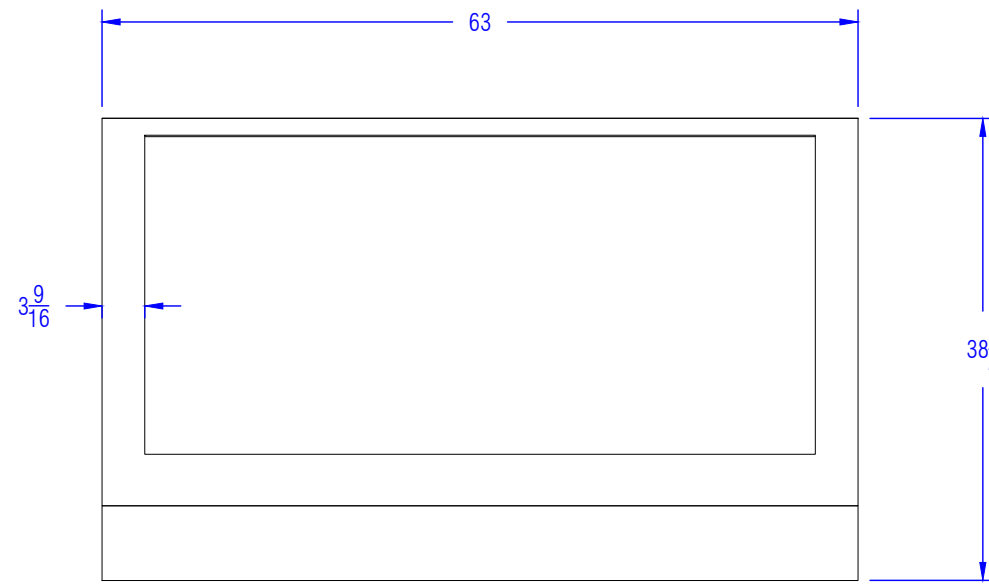
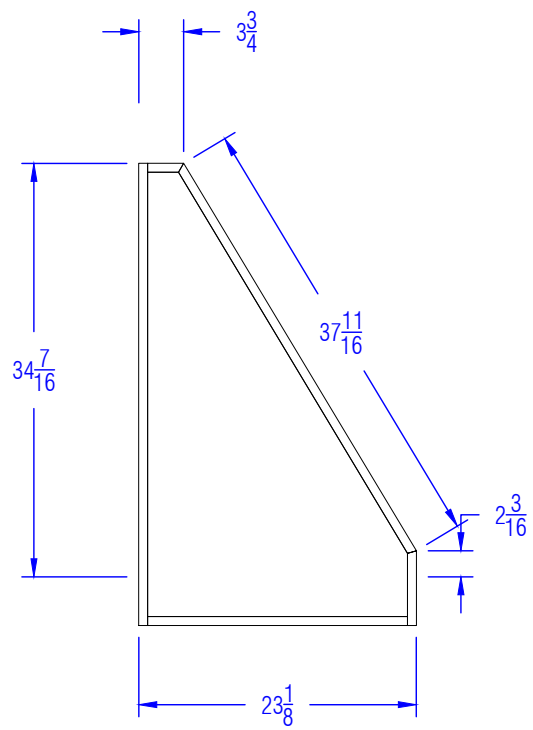




	Client	DYSON	Project Title	DYSON MEDIA LAUNCH 2018	Drawing Name	65 INCH MONITOR ENCLOSURE	Date	02-28-18	Scale	AS NOTED
	Project Number	000000	Drawing Size	13 X 19	File Name	AIR_WATTS_RIG_02-27-18_9.20_AM	Drawn By	JR	Drawing #	09.01

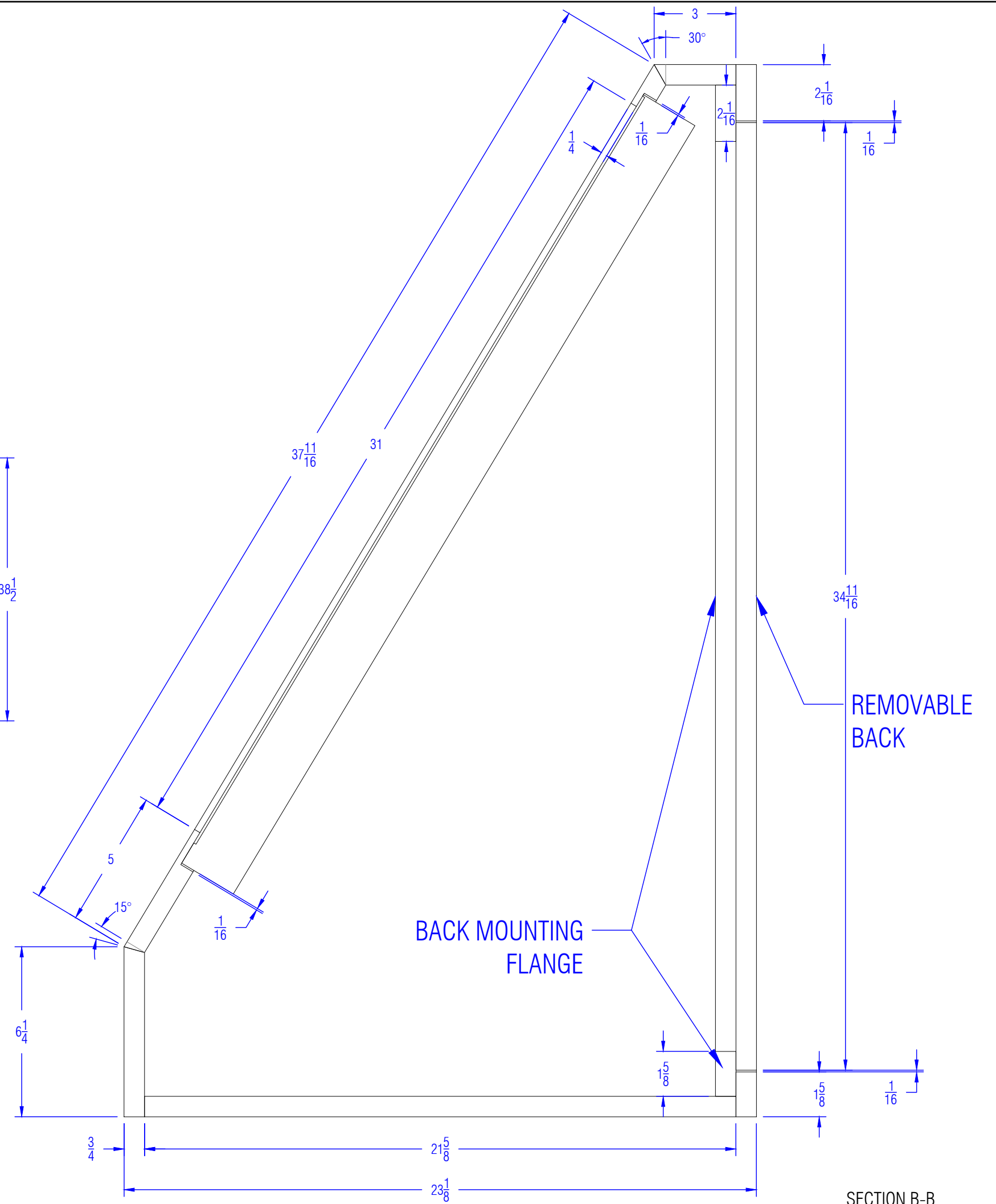
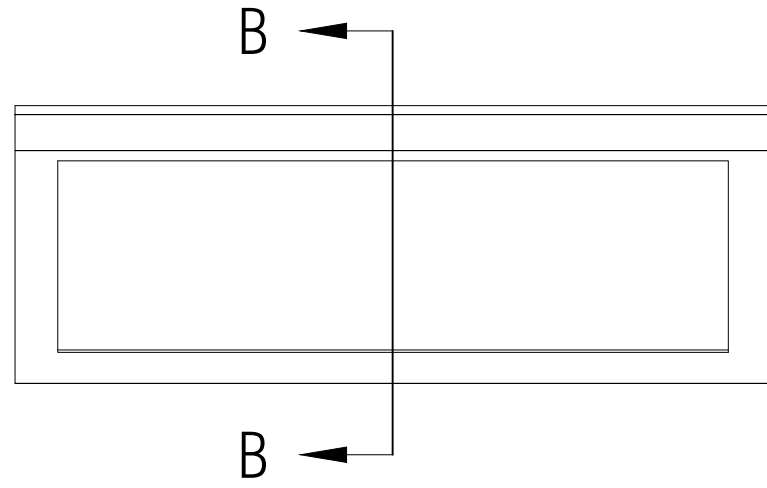


Client DYSON	Project Title DYSON MEDIA LAUNCH 2018	Drawing Name 65 INCH MONITOR ENCLOSURE	Date 02-28-18	Scale AS NOTED
	Project Number 000000	Drawing Size 13 X 19	Drawn By JR	Drawing # 10.02
File Name AIR_WATTS_RIG_02-27-18_9.20_AM				



1 MULTI-VIEW
Scale: 3/4"=1'-0"

ALL PARTS
3/4" MDO

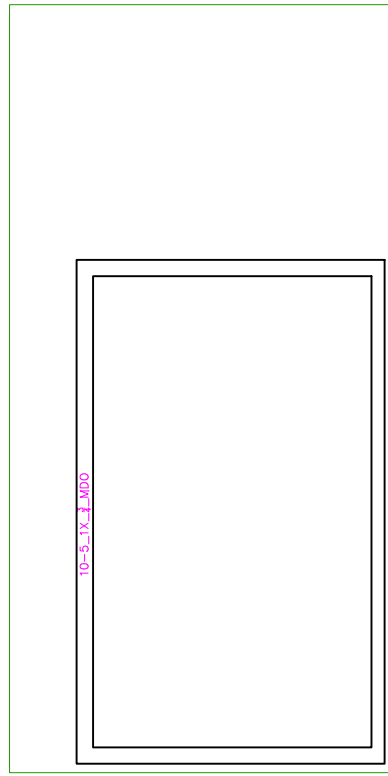
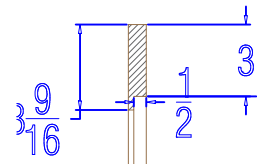


2 SECTION B-B
Scale: 3"=1'-0"

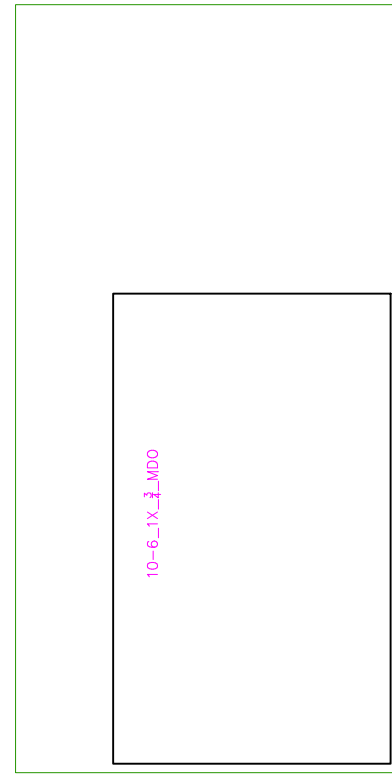
SECTION B-B
SCALE 3" = 1'-0"



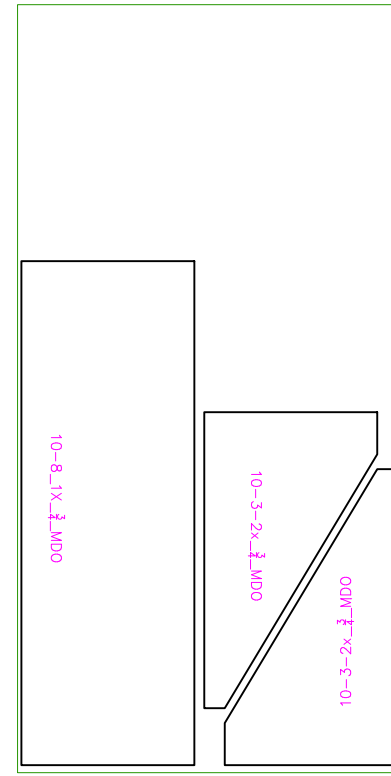
Client DYSON	Project Title DYSON MEDIA LAUNCH 2018	Drawing Name 65 INCH MONITOR ENCLOSURE	Date 02-27-18	Scale AS NOTED
	Project Number 000000	Drawing Size 13 X 19	Drawn By JR	Drawing # 10.03
File Name XX				



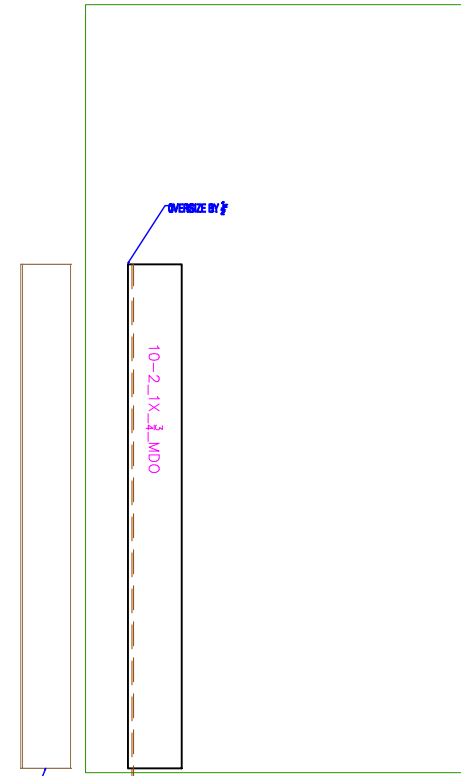
CUT_1X_3/4" _MDO
CNC



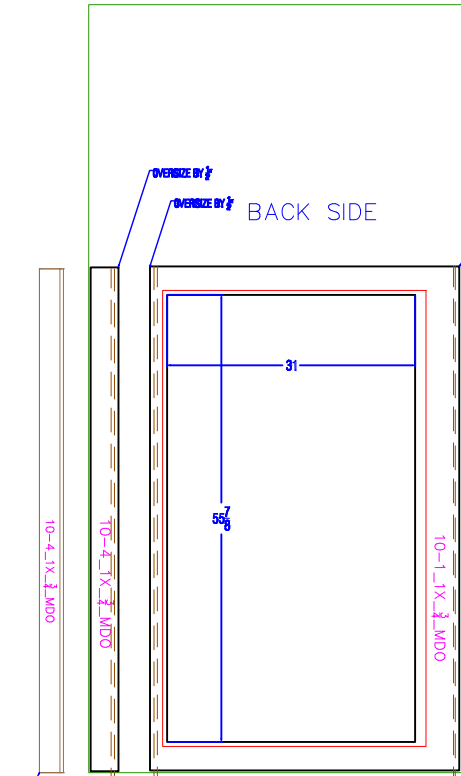
CUT_1X_3/4" _MDO
CNC



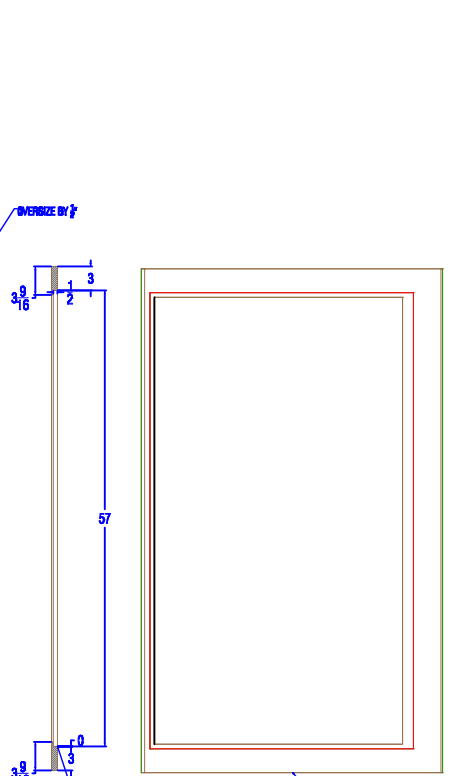
CUT_1X_3/4" _MDO
CNC



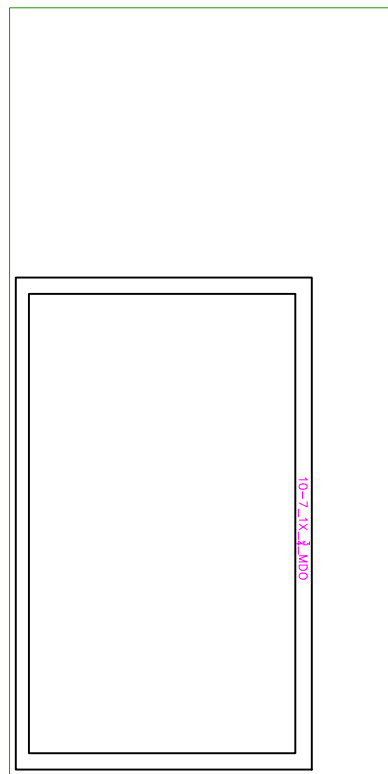
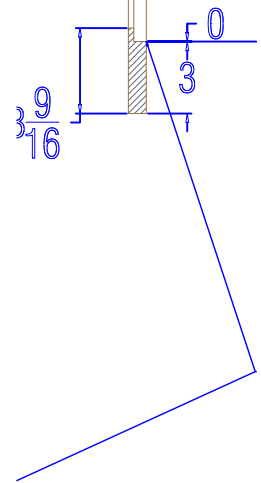
3D PART MODEL



3D PART MODEL



3D PART MODEL



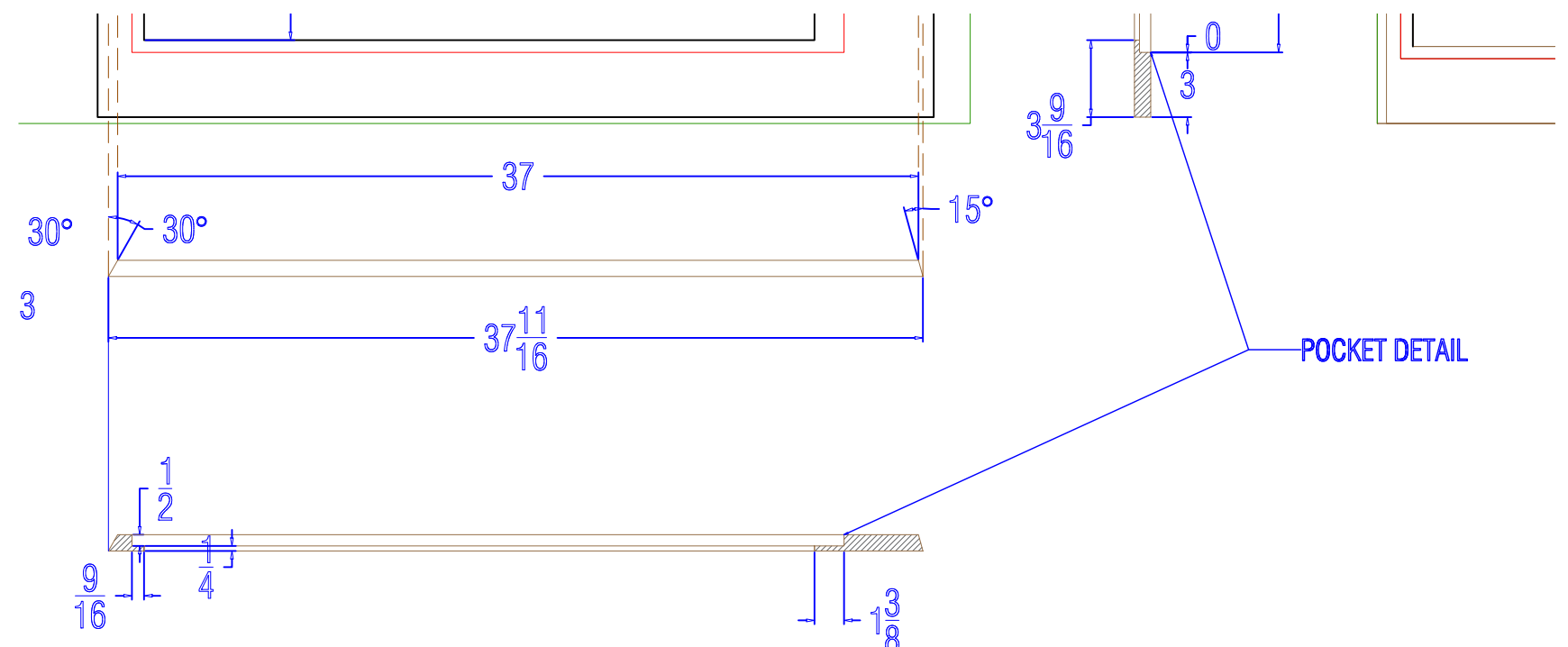
CUT_1X_3/4" _MDO
CNC

1 SHEET LAYOUT

Scale: 1/2"=1'-0"

CUT_1X_3/4" _MDO
CNC OVERCUT
BEVEL CUT ON
TABLESAW

CUT_1X_3/4" _MDO
CNC OVERCUT &
POCKET
BEVEL CUT ON
TABLESAW



3 SCREEN FACE SECTION 2

Scale: 1-1/2"=1'-0"

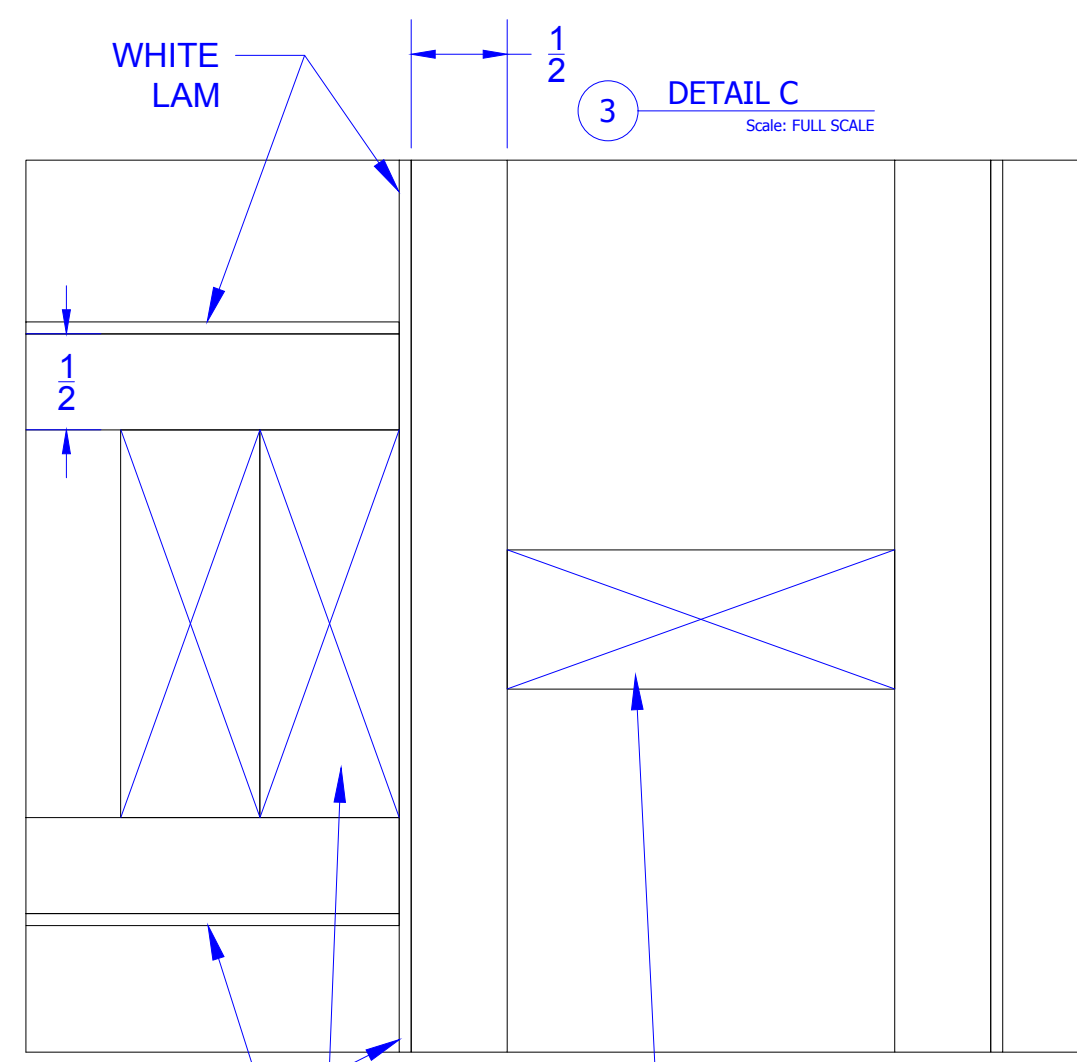
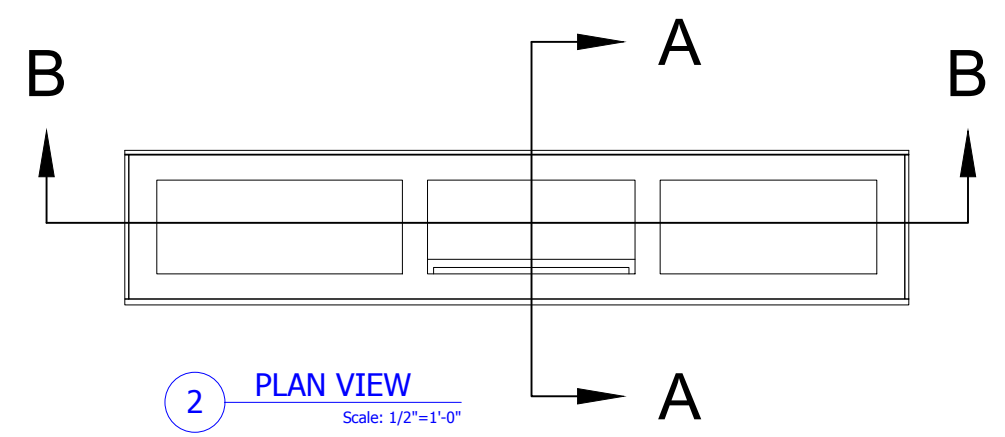
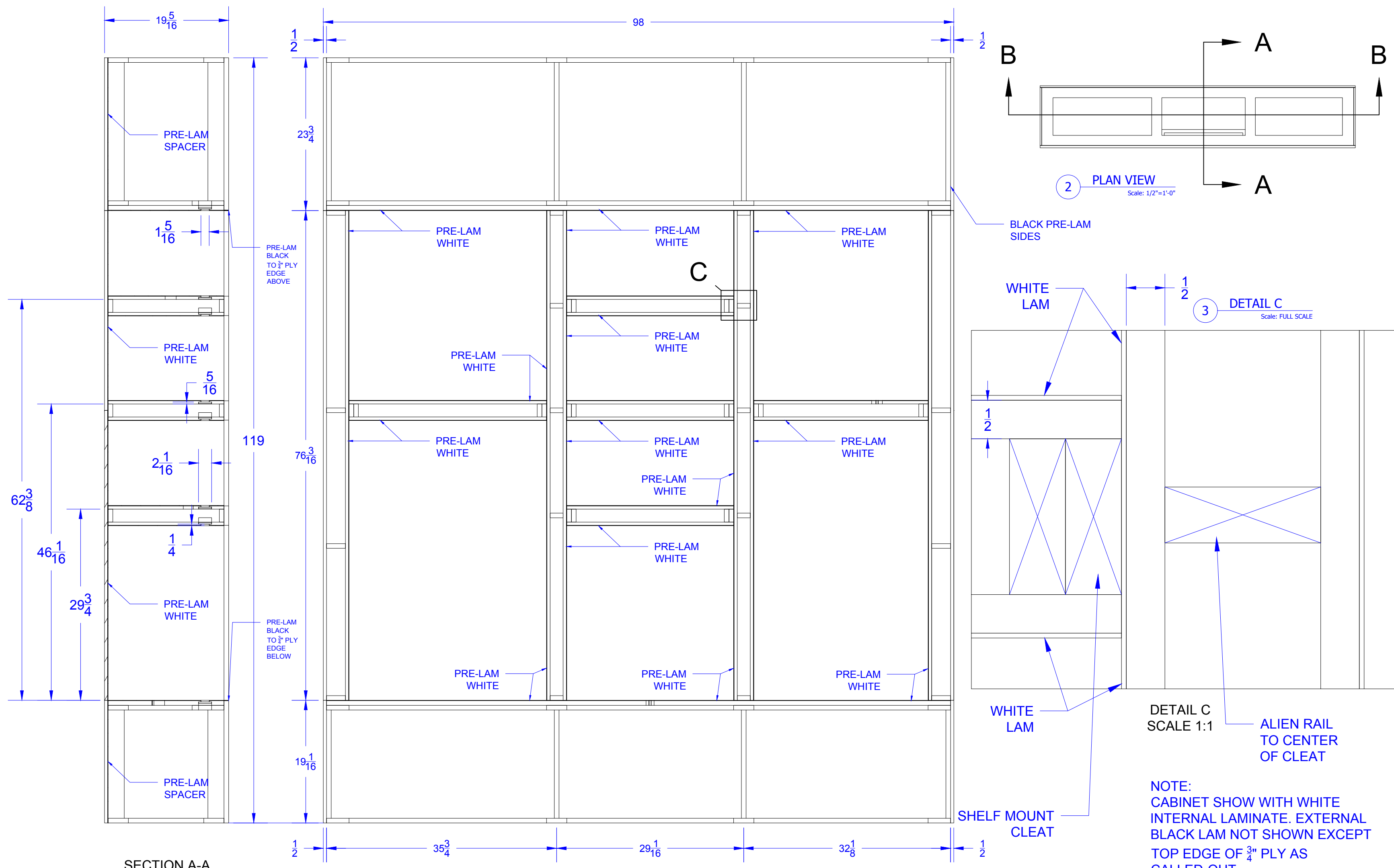
POCKET DETAIL

2 SCREEN FACE SECTION 1

Scale: 1-1/2"=1'-0"

	Client	Project Title	Drawing Name	Date	Scale
	DYSON	DYSON MEDIA LAUNCH 2018	65 INCH MONITOR ENCLOSURE	02-28-18	AS NOTED
	Project Number	Drawing Size	File Name	Drawn By	Drawing #
	000000	13 X 19	AIR_WATTS_RIG_02-27-18_9.20_AM	JR	10.04_CNC





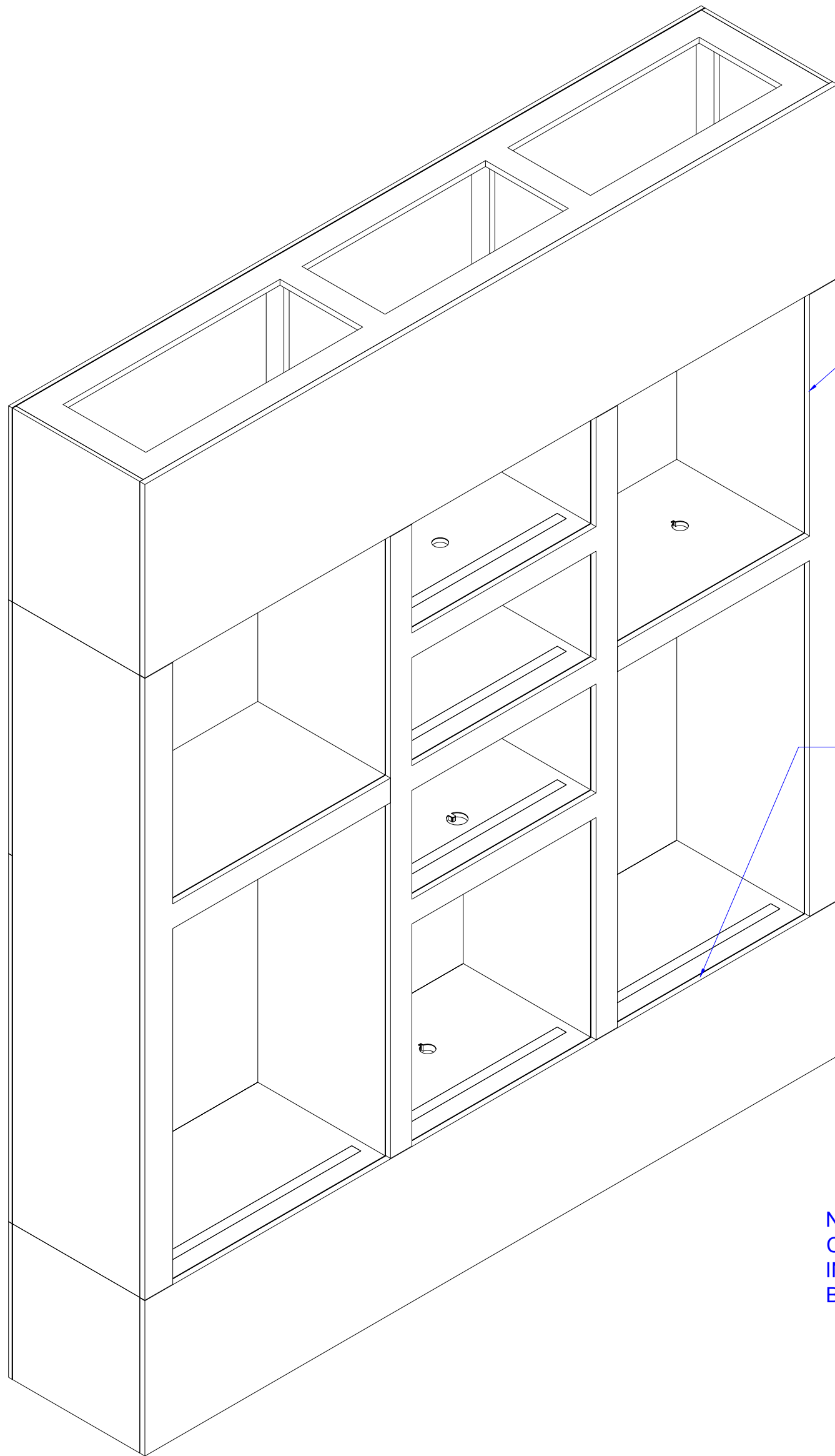
SECTION A-A
SCALE 1" = 1'-0"

SECTION B-B
SCALE 1" = 1'-0"

1 SECTIONS A & B
Scale: 1"=1'-0"

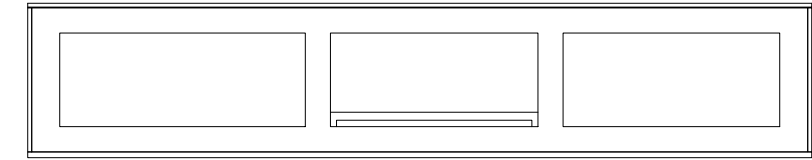
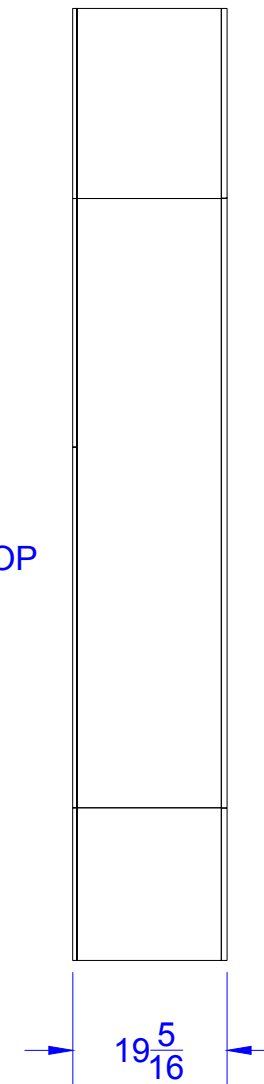
NOTE:
CABINET SHOW WITH WHITE
INTERNAL LAMINATE. EXTERNAL
BLACK LAM NOT SHOWN EXCEPT
TOP EDGE OF 3/4"
PLY AS
CALLED-OUT

	Client	DYSON	Project Title	MEDIA LAUNCH 2018	Drawing Name	MAIN LOBBY PRODUCT DISPLAY	Date	02-24-18	Scale	AS NOTED
	Project Number	00	Drawing Size	13 X 19	Drawn By	JROMEO	Drawing #	05.04	File Name	xxx

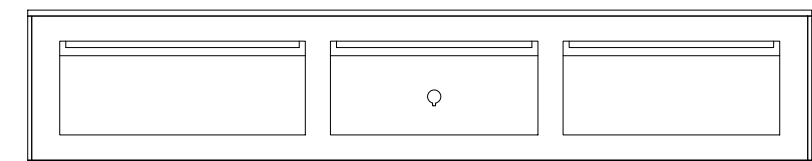
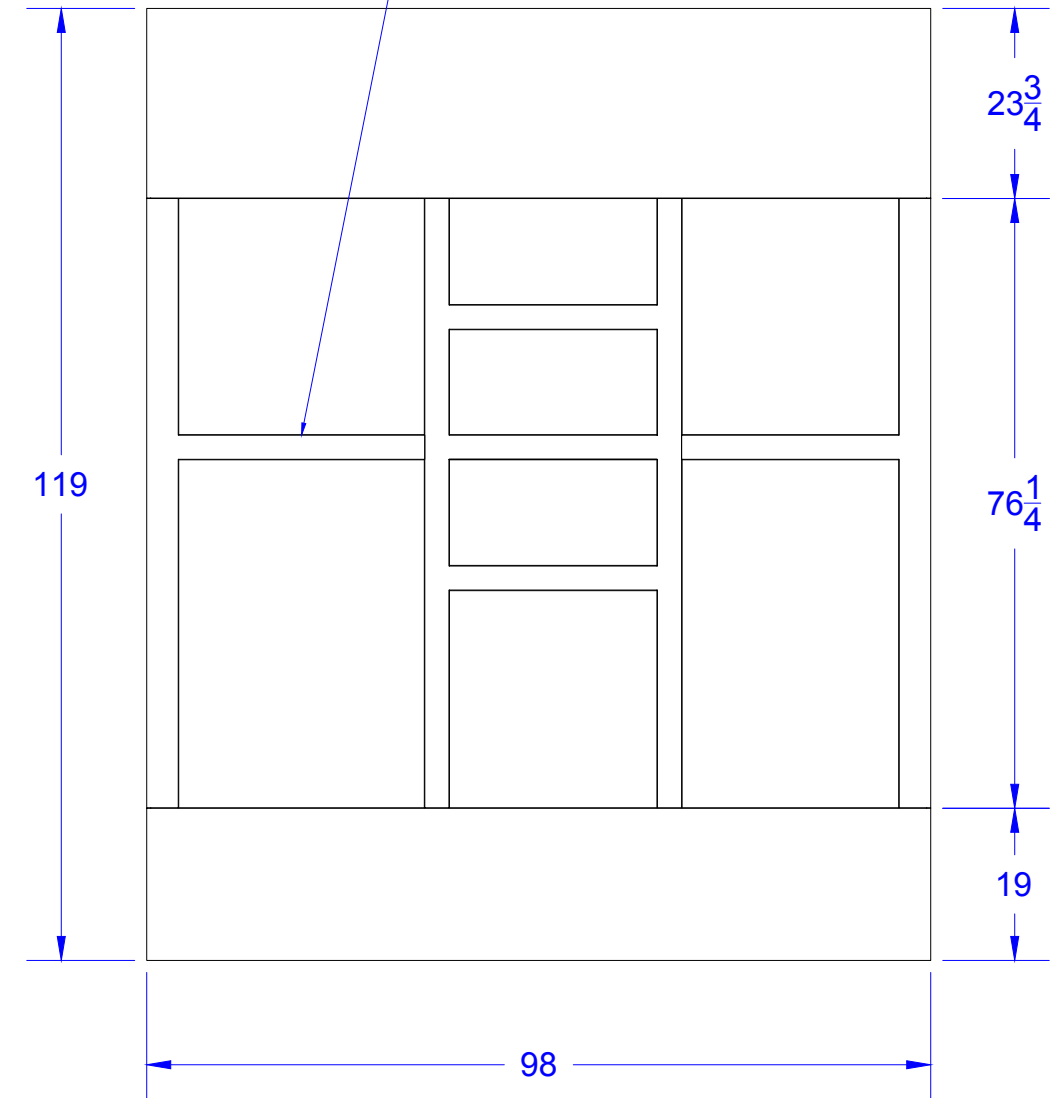


TYP. PRE-LAM BLACK
ALL
INSIDE EDGES OF
THE FACEFRAME


PRE-LAM BLACK TOP
EDGE OF $\frac{3}{4}$ PLY
BASE & HEADER

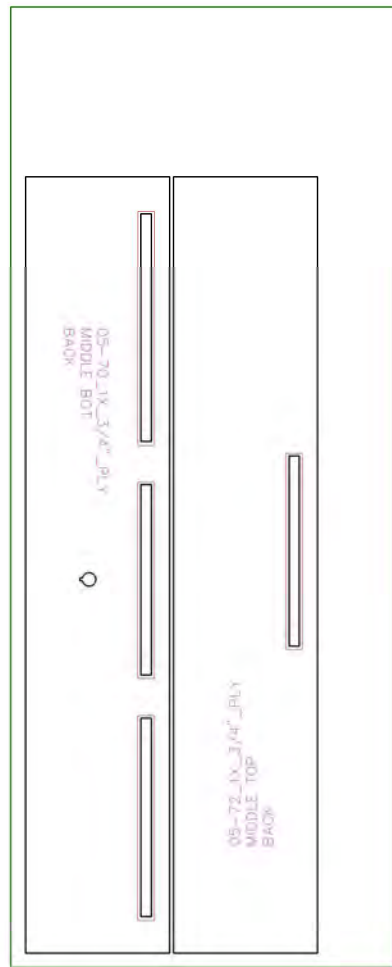


TYP. PRE-LAM BLACK ALL
INSIDE EDGES OF
THE FACEFRAME

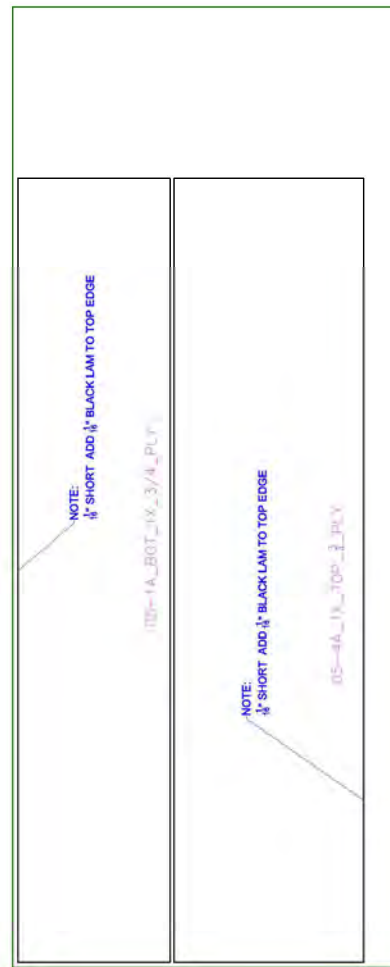


NOTE:
CABINET SHOW WITH WHITE
INTERNAL LAMINATE. EXTERNAL
BLACK LAM NOT SHOWN

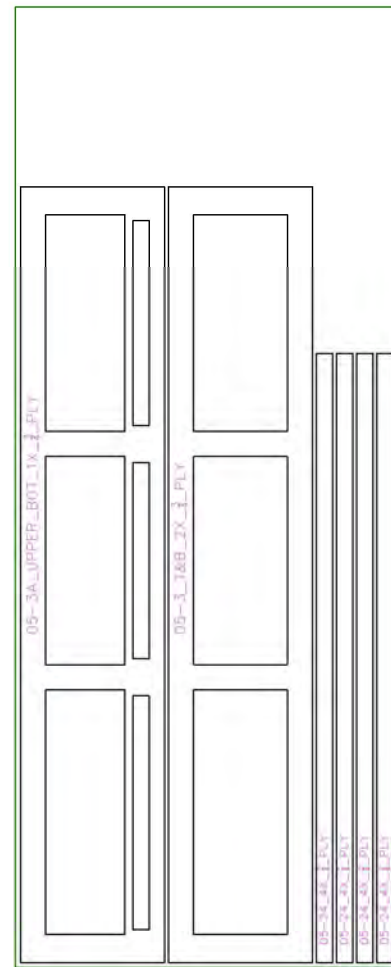
	Client	Project Title	Drawing Name	Date	Scale
	DYSON	MEDIA LAUNCH 2018	MAIN LOBBY PRODUCT DISPLAY	02-24-18	AS NOTED
	Project Number	Drawing Size	File Name	Drawn By	Drawing #
	00	13 X 19	xxx	JROME0	05.05



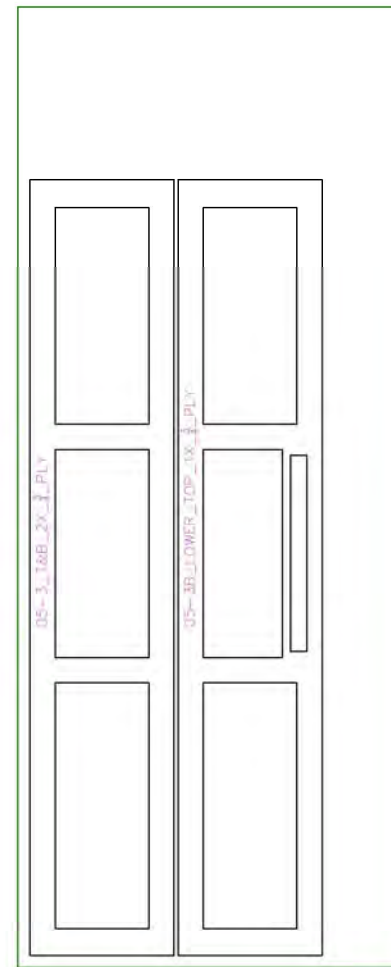
CUT 1 $\frac{3}{4}$ " PLYWOOD



CUT 1 $\frac{3}{4}$ " PLYWOOD



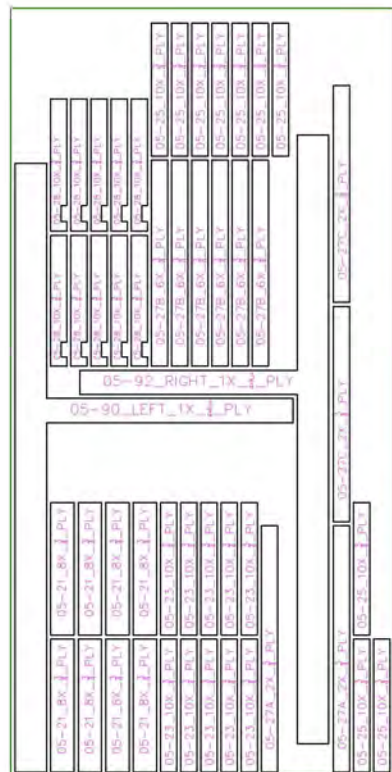
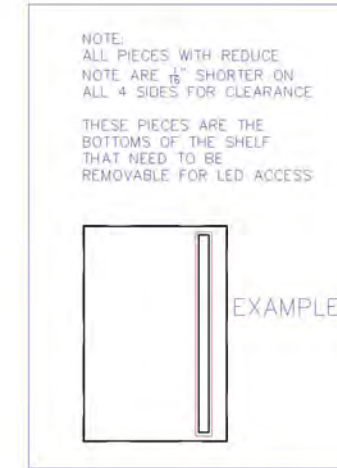
CUT 1 $\frac{3}{4}$ " PLYWOOD



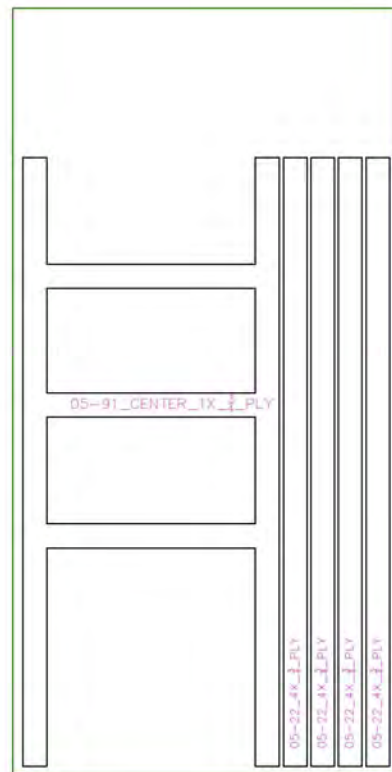
CUT 1 $\frac{3}{4}$ " PLYWOOD



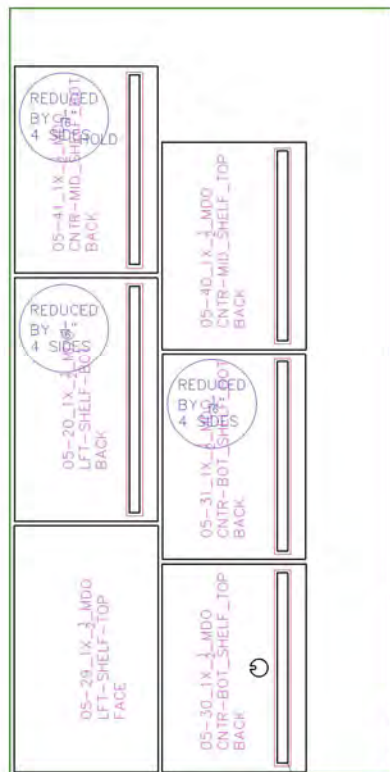
CUT 1 $\frac{1}{2}$ " MDO



CUT 1 $\frac{3}{4}$ " PLYWOOD

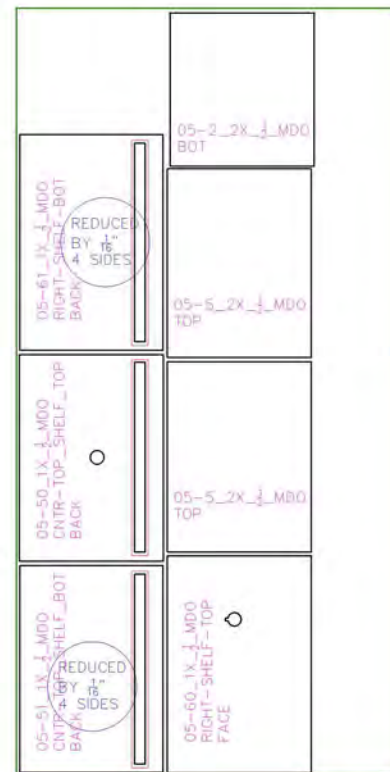


CUT 1 $\frac{3}{4}$ " PLYWOOD

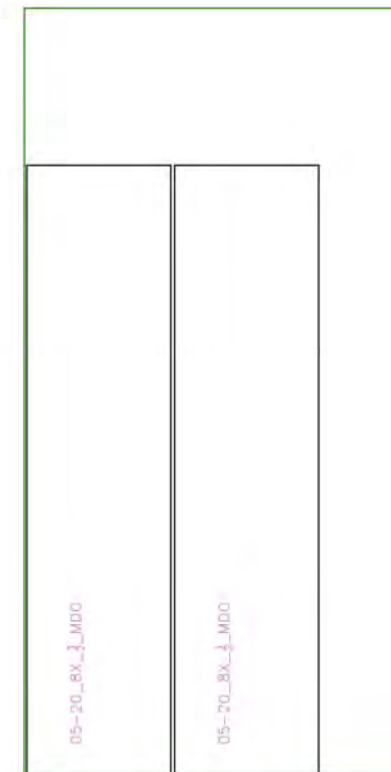


CUT 1 $\frac{1}{2}$ " MDO

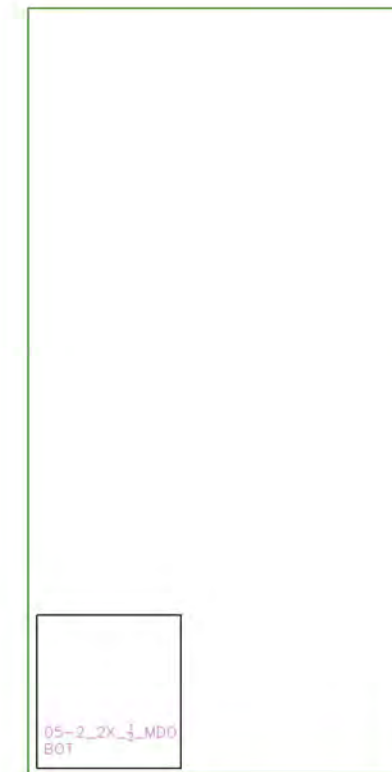
POCKETS RED LINE
5/16" DEEP



CUT 1 $\frac{1}{2}$ " MDO



CUT 4 $\frac{1}{2}$ " MDO



CUT 1 $\frac{1}{2}$ " MDO