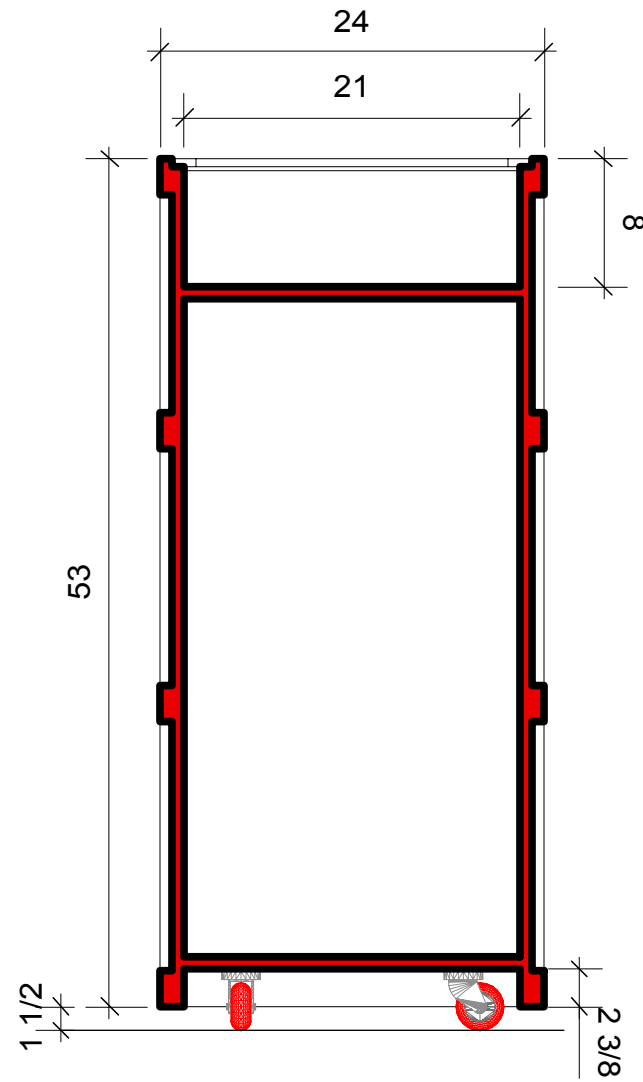
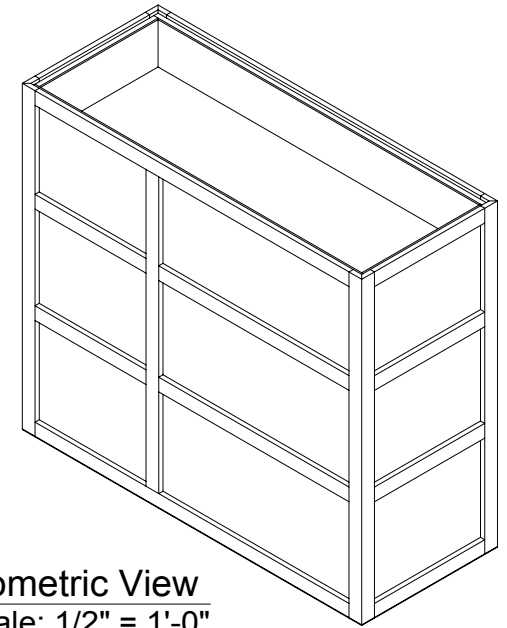


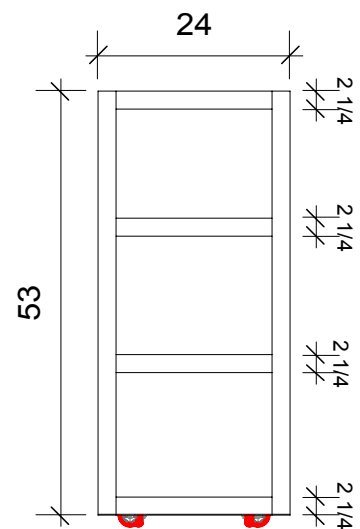
Artificial Flower Planter



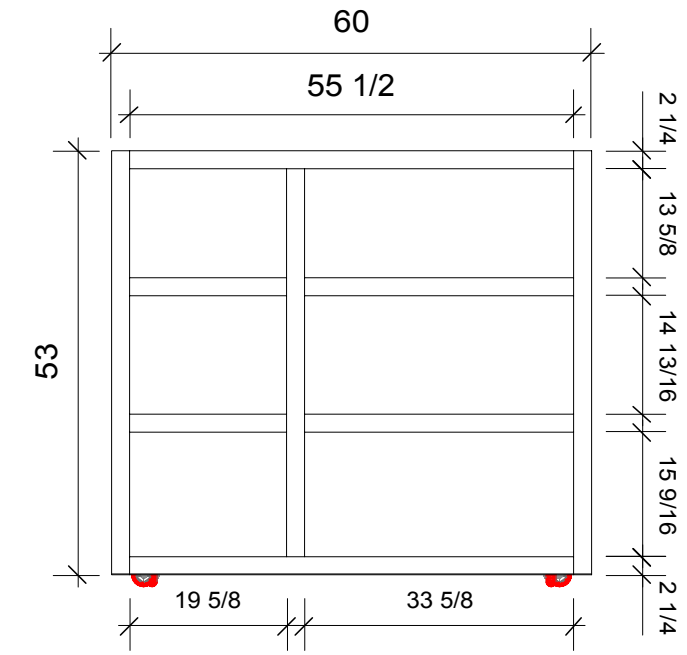
1 Section View
Scale: 1" = 1'-0"



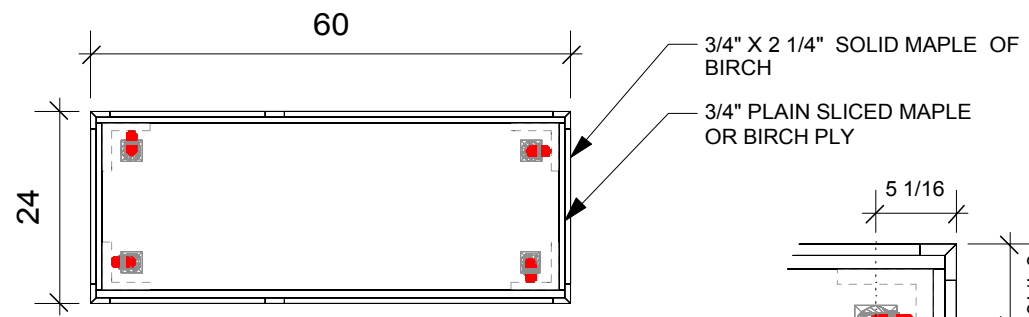
5 Isometric View
Scale: 1/2" = 1'-0"



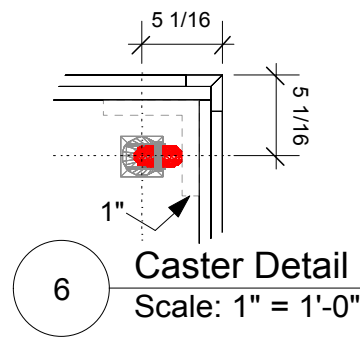
4 SIDE VIEW
Scale: 1/2" = 1'-0"



3 Front View
Scale: 1/2" = 1'-0"



2 Plan View
Scale: 1/2" = 1'-0"



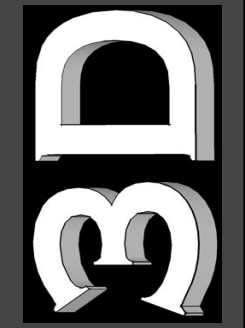
6 Caster Detail
Scale: 1" = 1'-0"

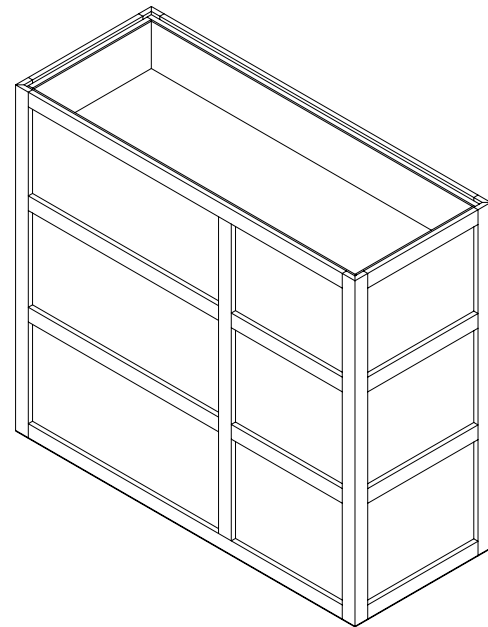
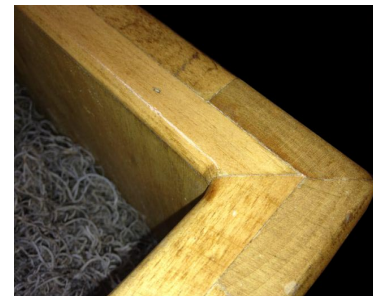
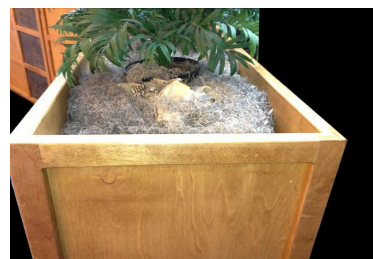
General Notes

1. Planter Unit constructed for interior use with no water
2. 3/4 X 2 1/4" Strips are Solid White Maple or Birch backed by 3/4" Plain Plain Sliced Maple of Birch Plywood
3. 4 swivel casters with a 3" wheel 250 lb. capacity, mounted to base with 3/8 Bolts, lock washers and nuts
4. Finish: Stain with 2 Coats of Satin Polyurathane over on top
5. Small Panel detail rag rolled paint with two coats of Satin Polyurathane on top.
6. See Picture of Existing Planter for finish clarification

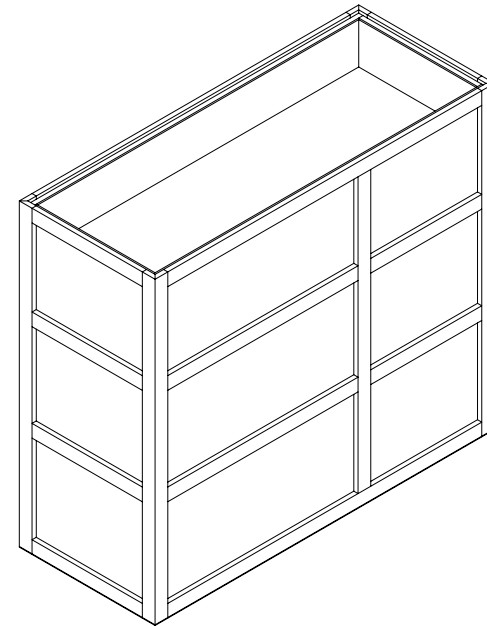
Build 8 Units

Num	1	
Date	7-13-12	Scale
	As Shown	Title
	Planter	
Project	Planter	
Location		
Drawn	JRomeo	
John Romeo	21 Sebastian Ct Hopewell Jct. NY 12533 914-456-9387 romeostudio@me.com www.setdesign.com	

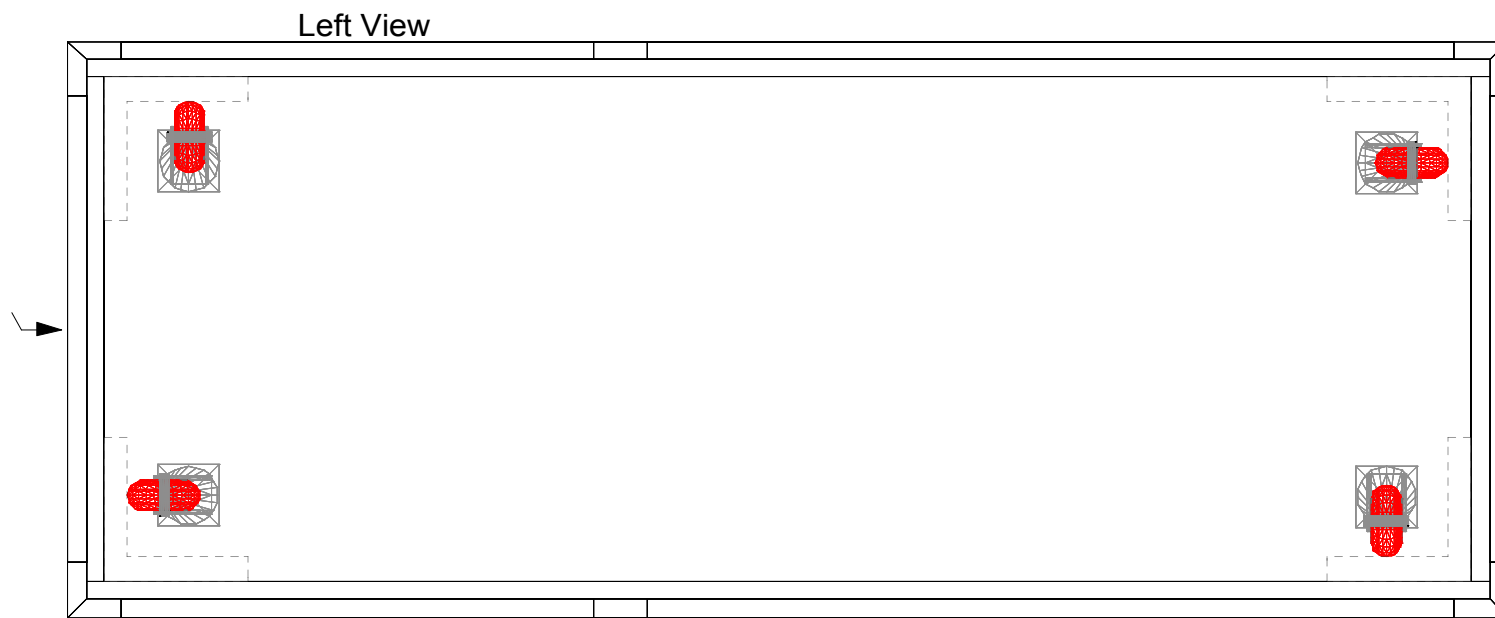




2 Left View
Scale: 1/2" = 1'-0"



3 Scale: 1/2" = 1'-0"
Righth View



1 Plan View
Scale: 1 1/2" = 1'-0"

Project	Planter		Date	7-13-13	Num	2
	Location		Scale	As Shown	Title	Planter
Drawn	JRomeo					
John Romeo 21 Sebastian Ct Hopewell Jct. NY 12533 914-456-9387 romeostudio@me.com www.setdesign.com						