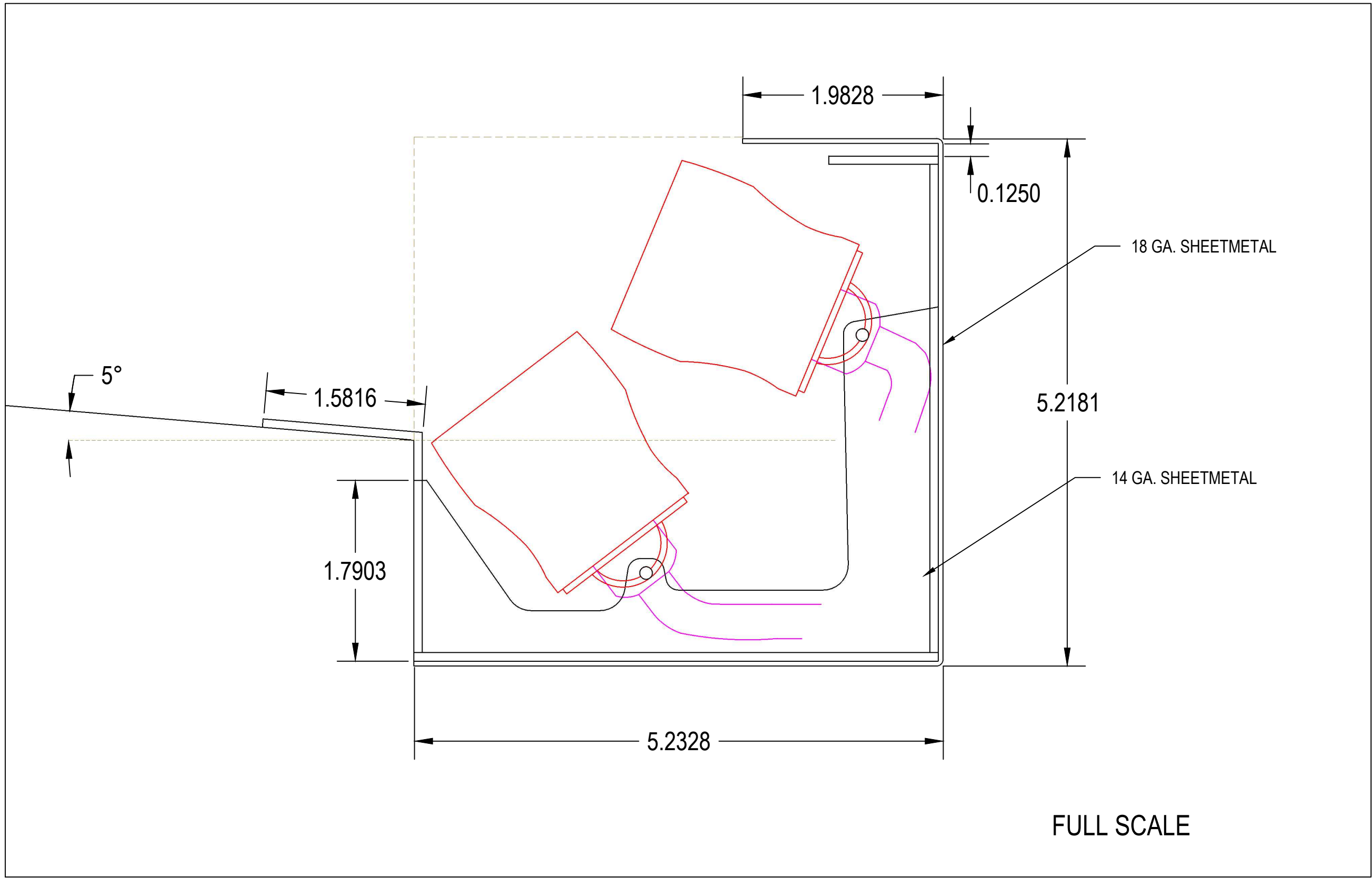
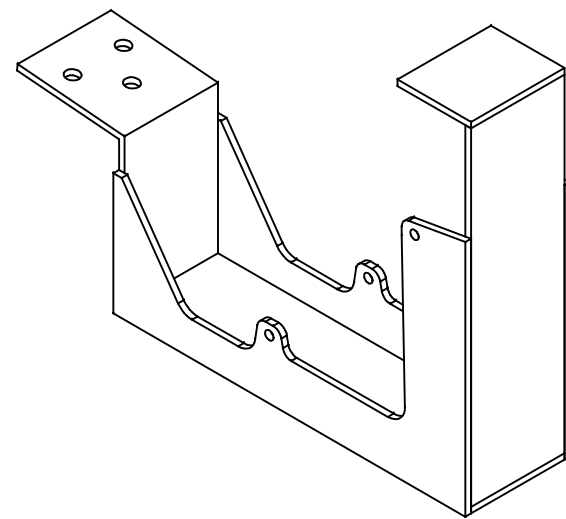


LED LIGHT TROUGH WITH MOUNTING BRACKETS





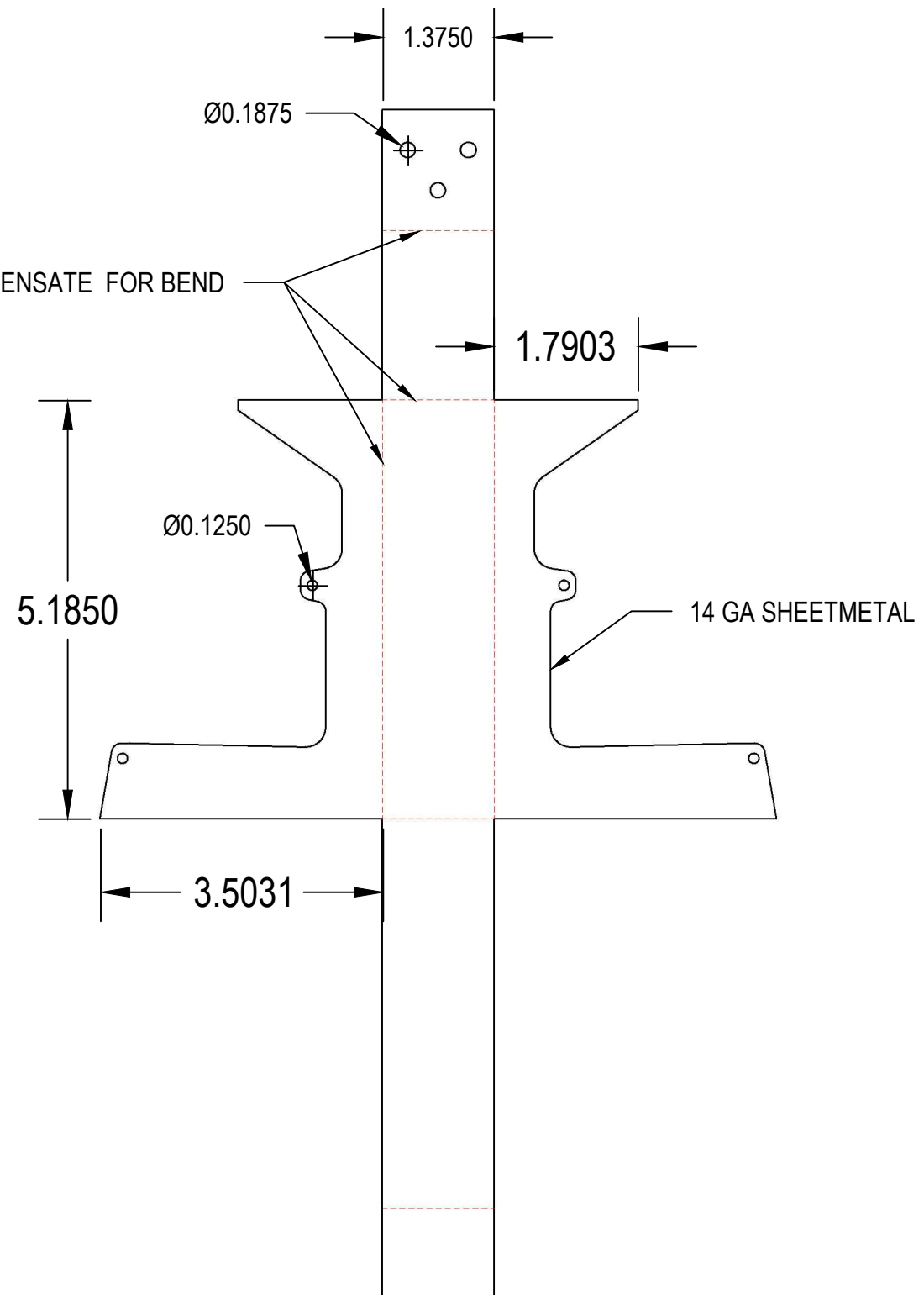
MAKE 26 BRACKETS

BRACKETS FOLDED AND WELED

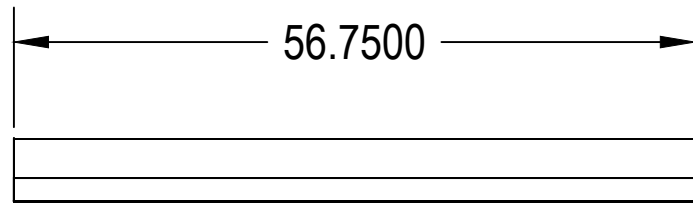
14 GA SHEETMETAL

SCALE: 6"=1'-0"

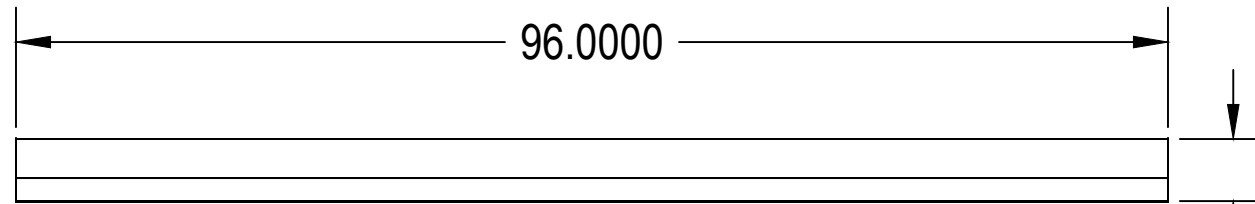
ADD TO COMPENSATE FOR BEND



REFERENCE DETAILS ONLY
USE INVENTOR OR SIMILAR SOFTWARE
TO CREATE FOLDS



BUILD 2 TOTAL(SEE BELOW)

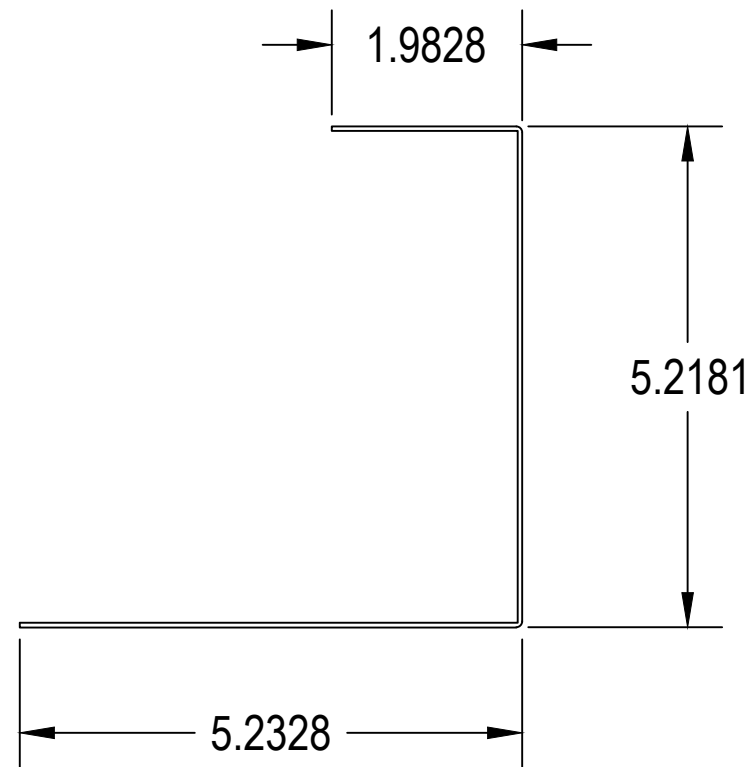


BUILD 4 TOTAL (SEE BELOW)

5.1703

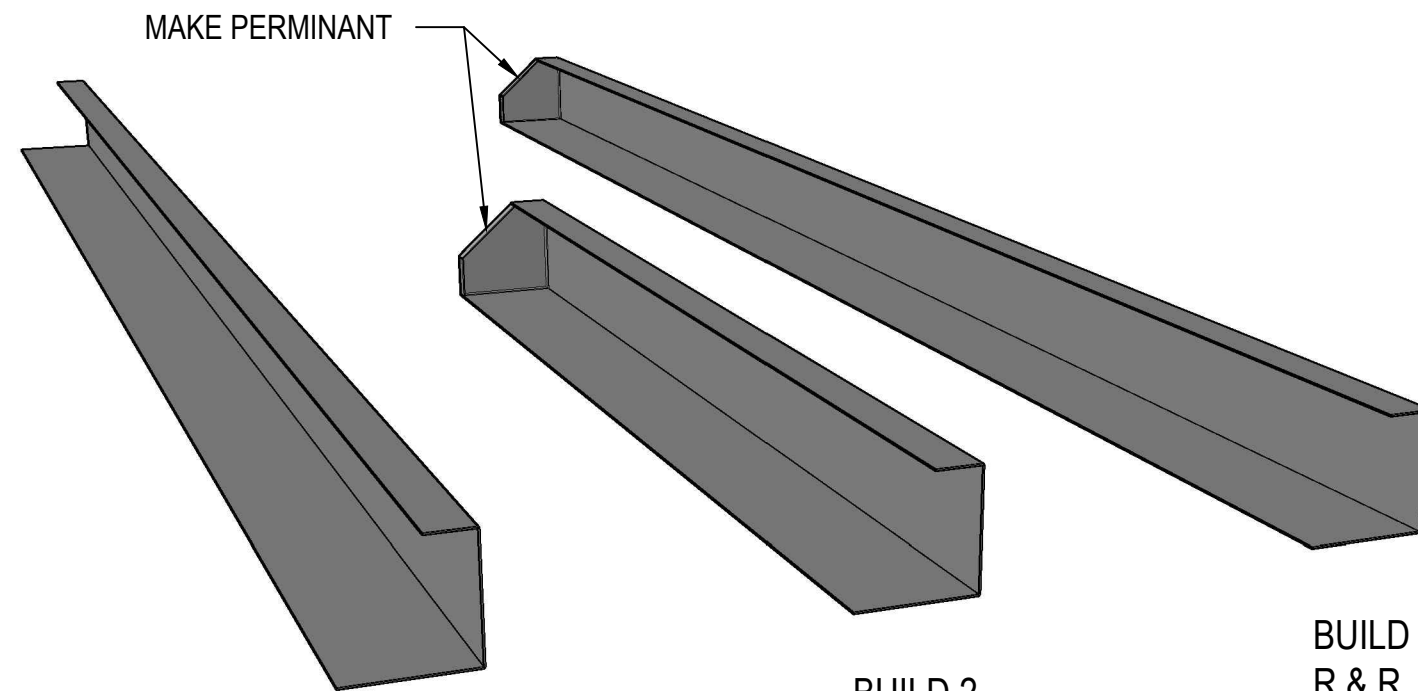
PLAN VIEW

SCALE:3/4"=1'-0"



SIDE VIEW

SCALE:6"=1'-0"



BUILD 2 OPEN END

BUILD 2
R & R

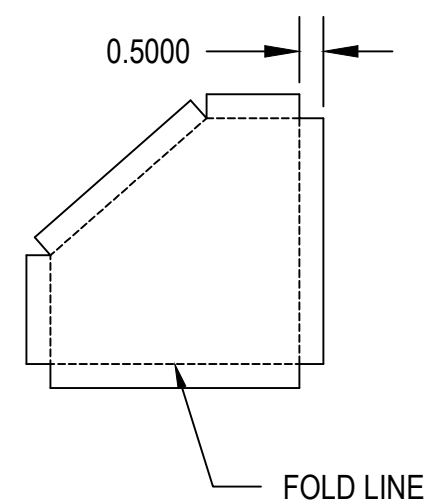
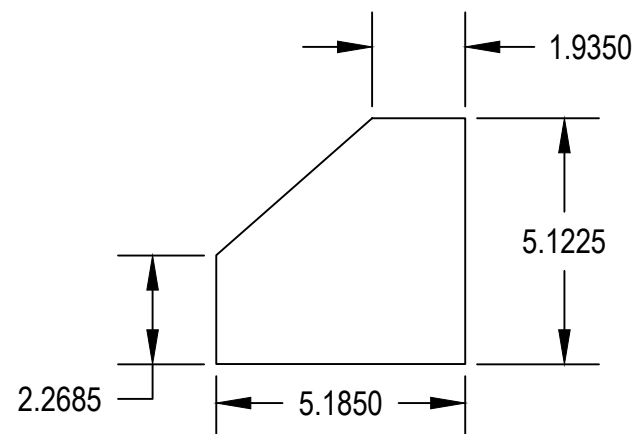
BUILD 2
R & R

18 GA SHEETMETAL

ISO VIEW

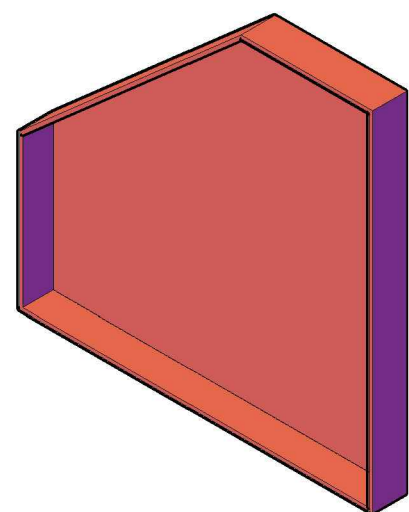
SCALE:1"=1'-0"

REFERENCE DETAILS ONLY
USE INVENTOR OR SIMILAR SOFTWARE
TO CREATE FOLDS



FOLD LINE

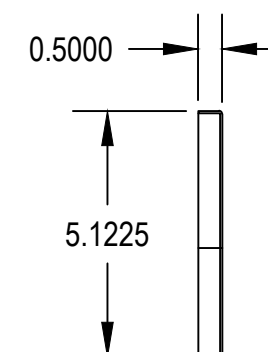
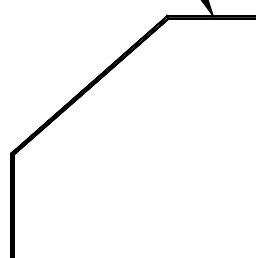
END CAP



END CAP

MAKE 2 LEFT AND 2 RIGHT
(4 TOTAL; SEE LT-04)

18 GA SHEETMETAL



SCALE:3"=1'-0"