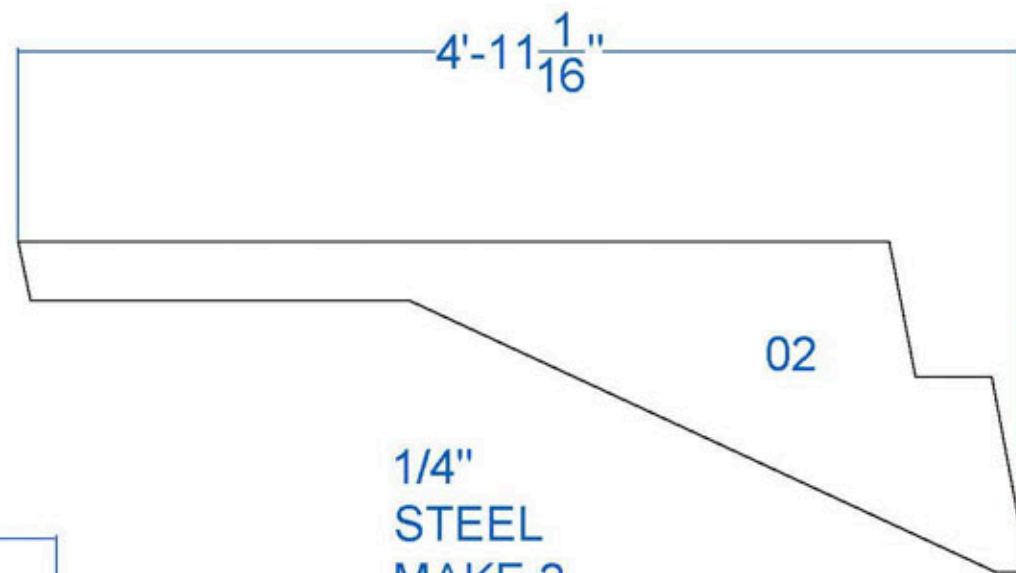
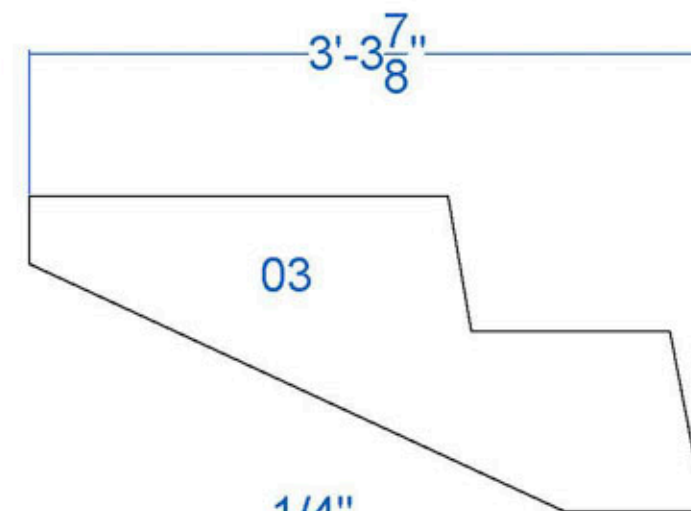


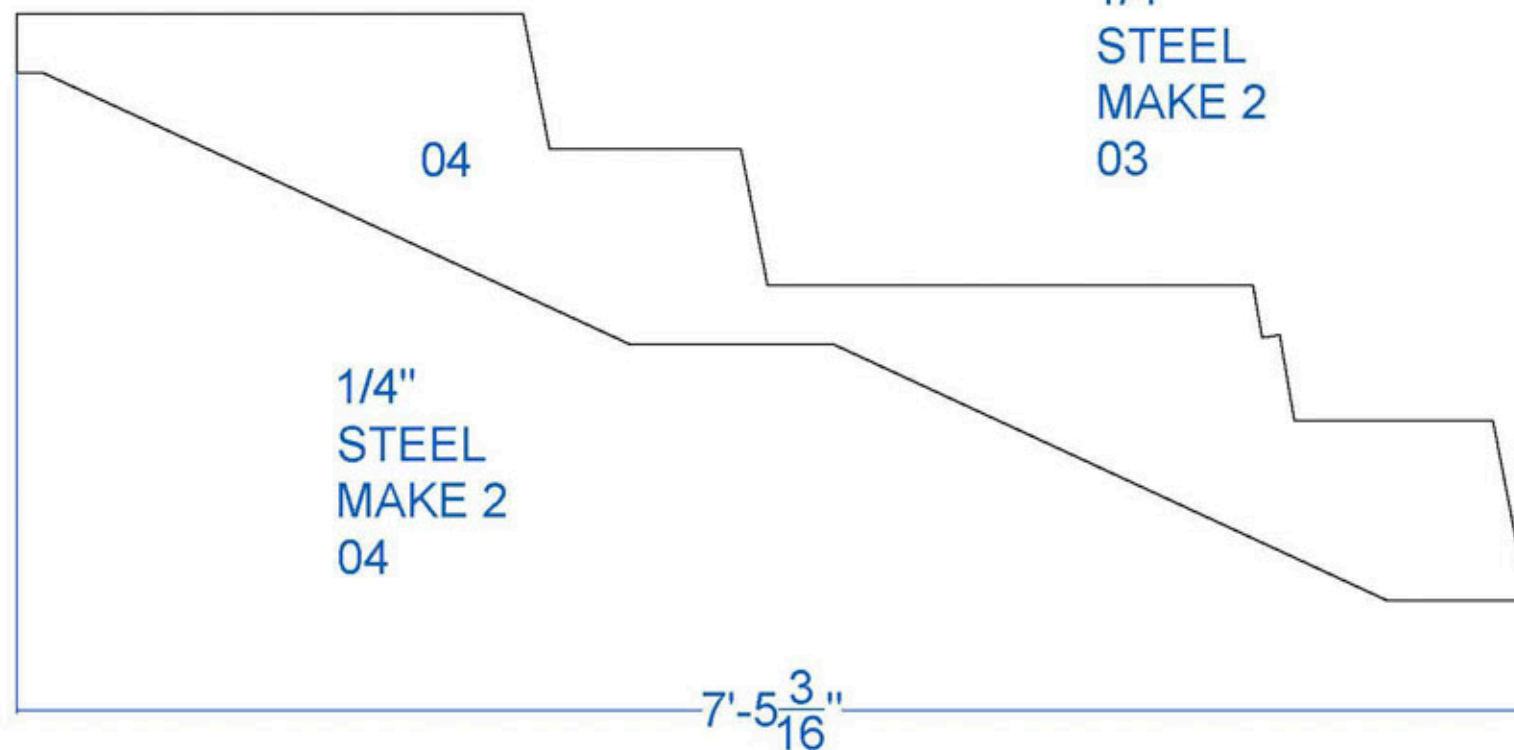
$\frac{1}{2}"$  STEEL  
MAKE 2  
01



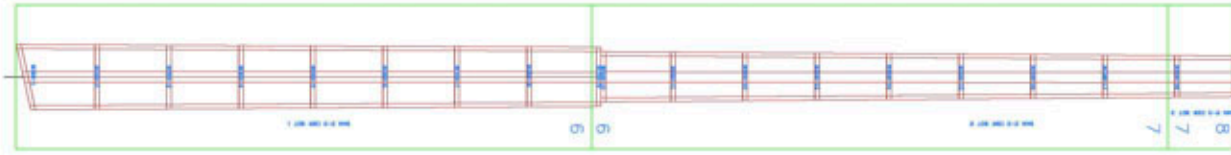
$\frac{1}{4}"$  STEEL  
MAKE 2  
02



$\frac{1}{4}"$  STEEL  
MAKE 2  
03



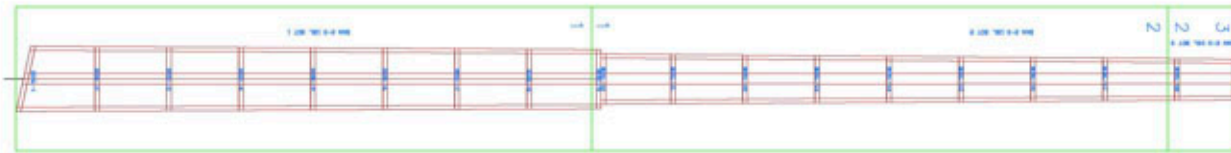
$\frac{1}{4}"$  STEEL  
MAKE 2  
04



BANNER MAST OFF STAGE RIGHT BOTTOM



BANNER MAST OFF STAGE RIGHT TOP



BANNER MAST OFF STAGE LEFT BOTTOM



BANNER MAST OFF STAGE LEFT TOP



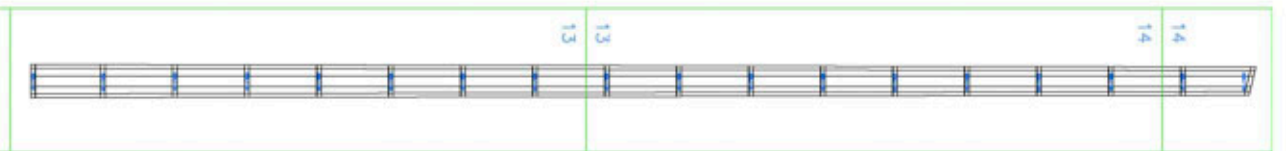
BANNER MAST ON STAGE RIGHT BOTTOM



BANNER MAST ON STAGE RIGHT TOP

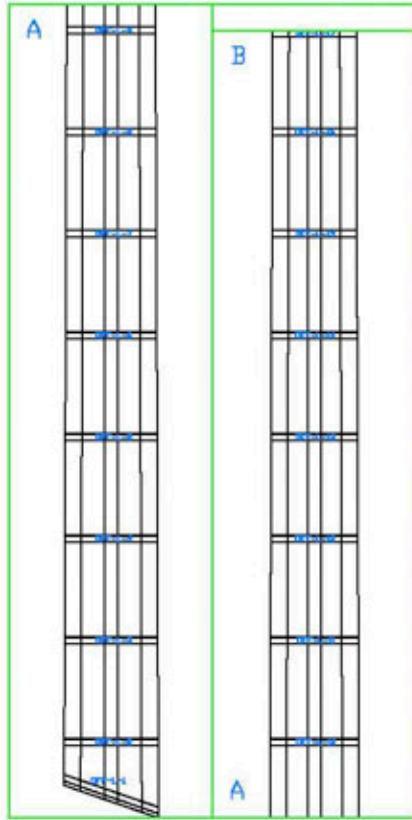


BANNER MAST ON STAGE LEFT BOTTOM



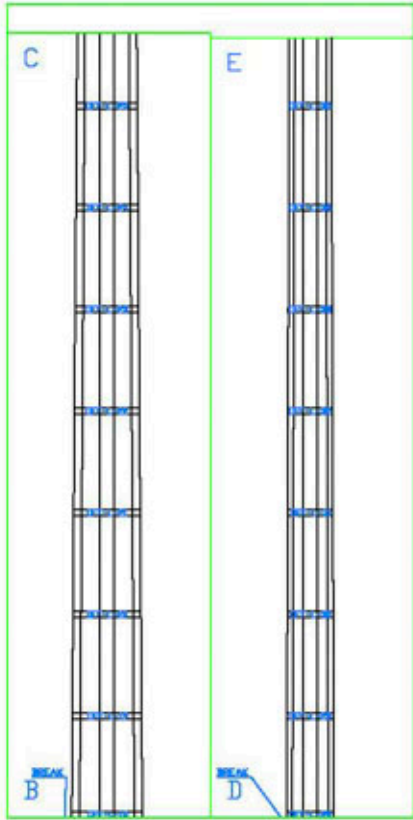
BANNER MAST ON STAGE LEFT TOP

1/4" LAUAN SCRATCH



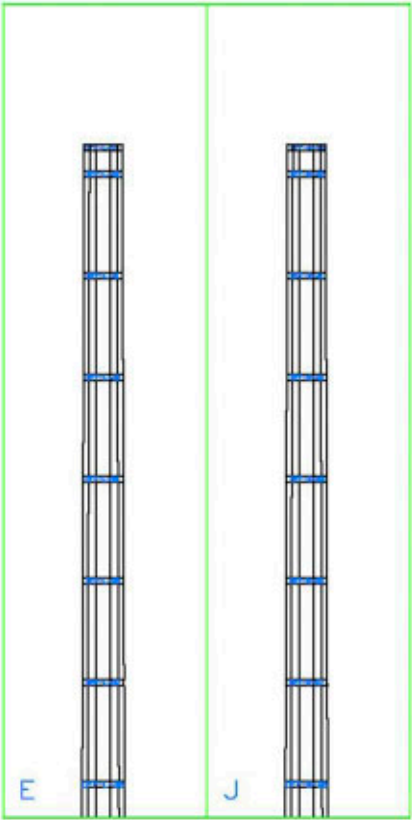
router callout	
material:	1/4" LAUAN
bit diameter:	SCRATCH
project name:	OFF DSL-DSR FULL MAST
project number:	17128
dxg filename:	17128 CANDIDE CNC-31.0
times to cut this layout:	1
deliver parts to:	NICK

1/4" LAUAN SCRATCH



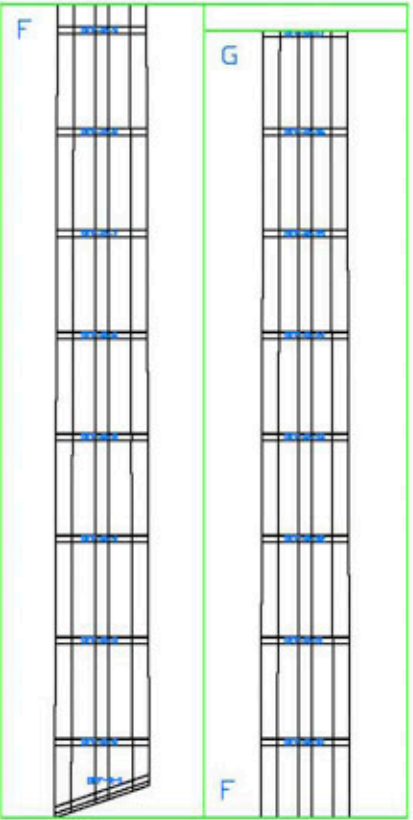
router callout	
material:	1/4" LAUAN
bit diameter:	SCRATCH
project name:	OFF DSL-DSR FULL MAST
project number:	17128
dxg filename:	17128 CANDIDE CNC-31.0
times to cut this layout:	1
deliver parts to:	NICK

1/4" LAUAN SCRATCH



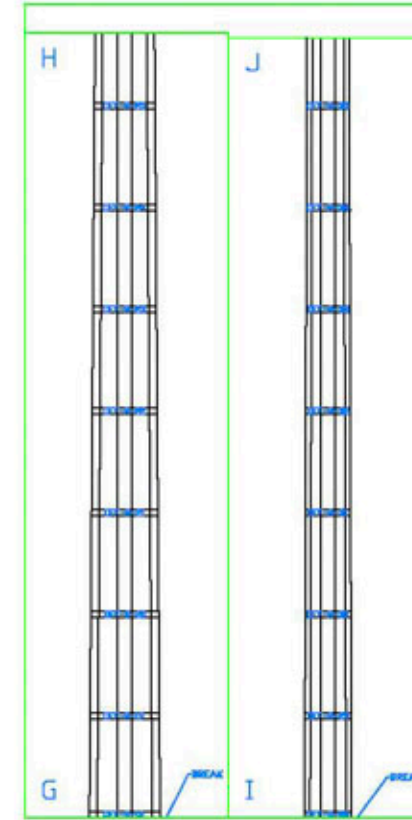
router callout	
material:	1/4" LAUAN
bit diameter:	SCRATCH
project name:	OFF DSL-DSR FULL MAST
project number:	17128
dxg filename:	17128 CANDIDE CNC-31.0
times to cut this layout:	1
deliver parts to:	NICK

1/4" LAUAN SCRATCH



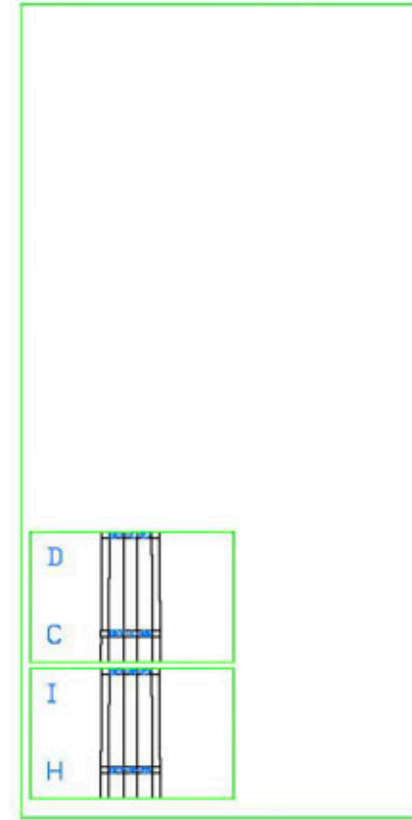
router callout	
material:	1/4" LAUAN
bit diameter:	SCRATCH
project name:	OFF DSL-DSR FULL MAST
project number:	17128
dxg filename:	17128 CANDIDE CNC-31.0
times to cut this layout:	1
deliver parts to:	NICK

1/4" LAUAN SCRATCH



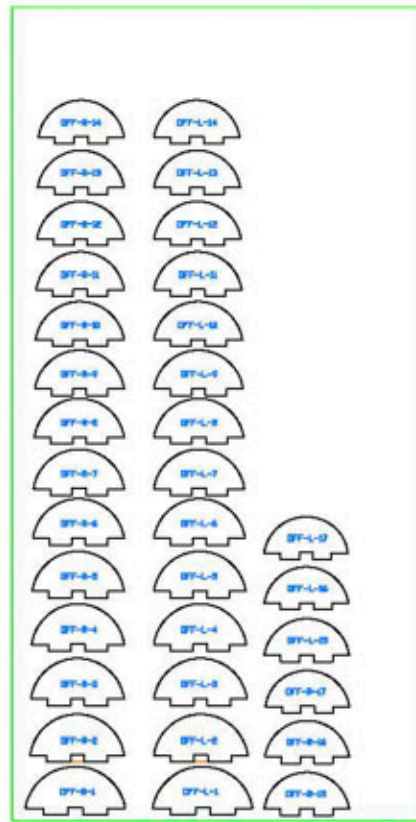
router callout	
material:	1/4" LAUAN
bit diameter:	SCRATCH
project name:	OFF DSL-DSR FULL MAST
project number:	17128
dxg filename:	17128 CANDIDE CNC-31.0
times to cut this layout:	1
deliver parts to:	NICK

1/4" LAUAN SCRATCH

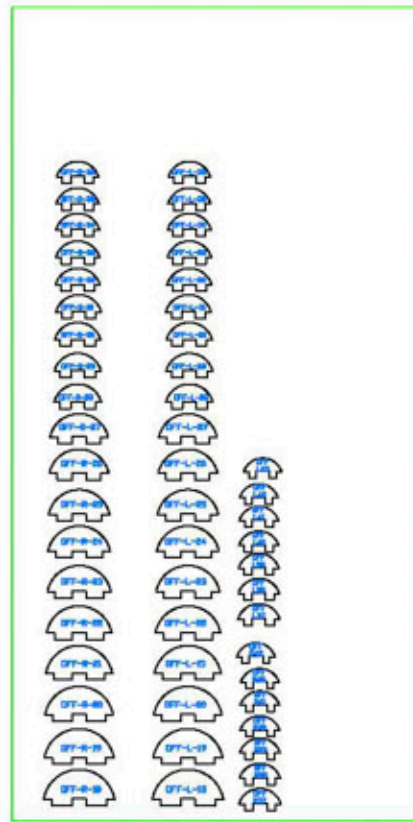


router callout	
material:	1/4" LAUAN
bit diameter:	SCRATCH
project name:	OFF DSL-DSR FULL MAST
project number:	17128
dxg filename:	17128 CANDIDE CNC-31.0
times to cut this layout:	1
deliver parts to:	NICK

2X 3/4" AC PLWOOD

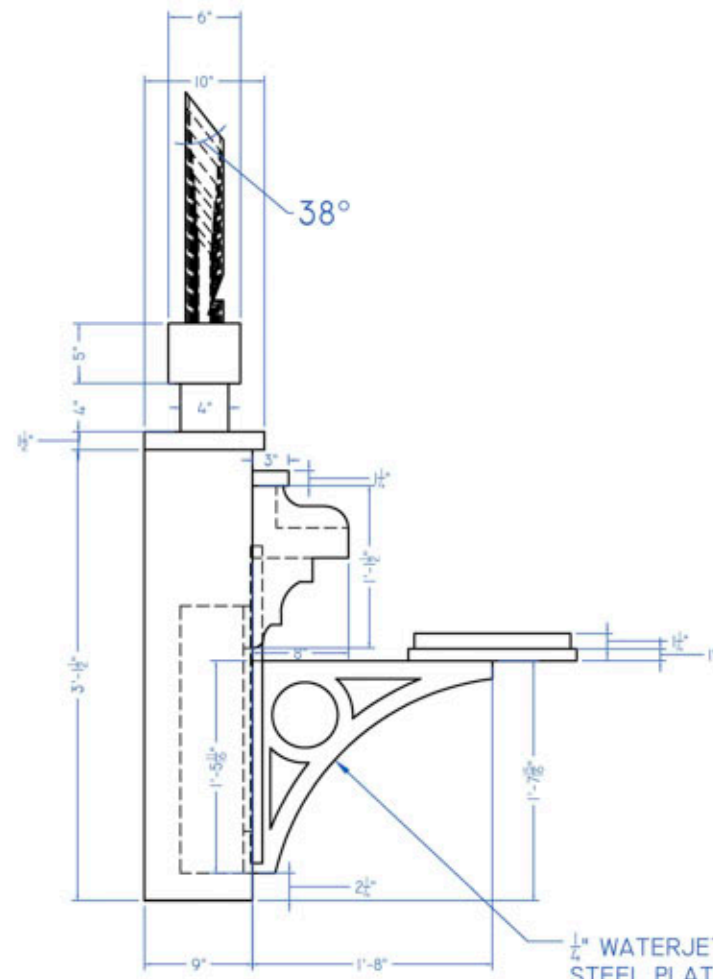


2X 3/4" AC PLWOOD



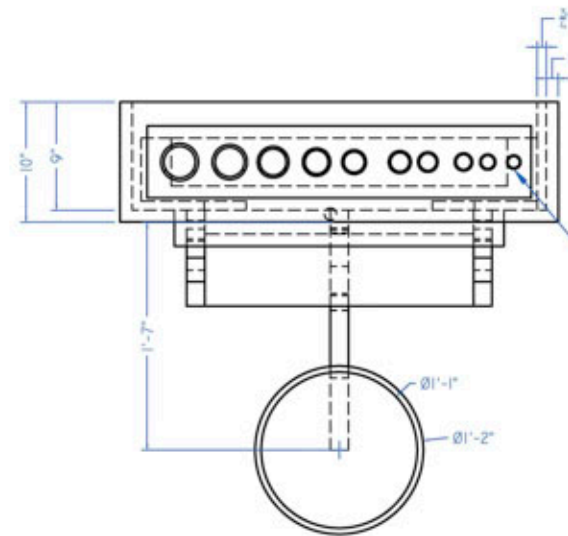
router callout	
material:	3/4" AC PLYWOOD
bit diameter:	3/8
project name:	OFF DSL-DSR FULL MAST
project number:	17128
dxg filename:	17128 CANDIDE CNC-31.0
times to cut this layout:	2
deliver parts to:	NICK

router callout	
material:	3/4" AC PLYWOOD
bit diameter:	3/8
project name:	OFF DSL-DSR FULL MAST
project number:	17128
dxg filename:	17128 CANDIDE CNC-31.0
times to cut this layout:	2
deliver parts to:	NICK

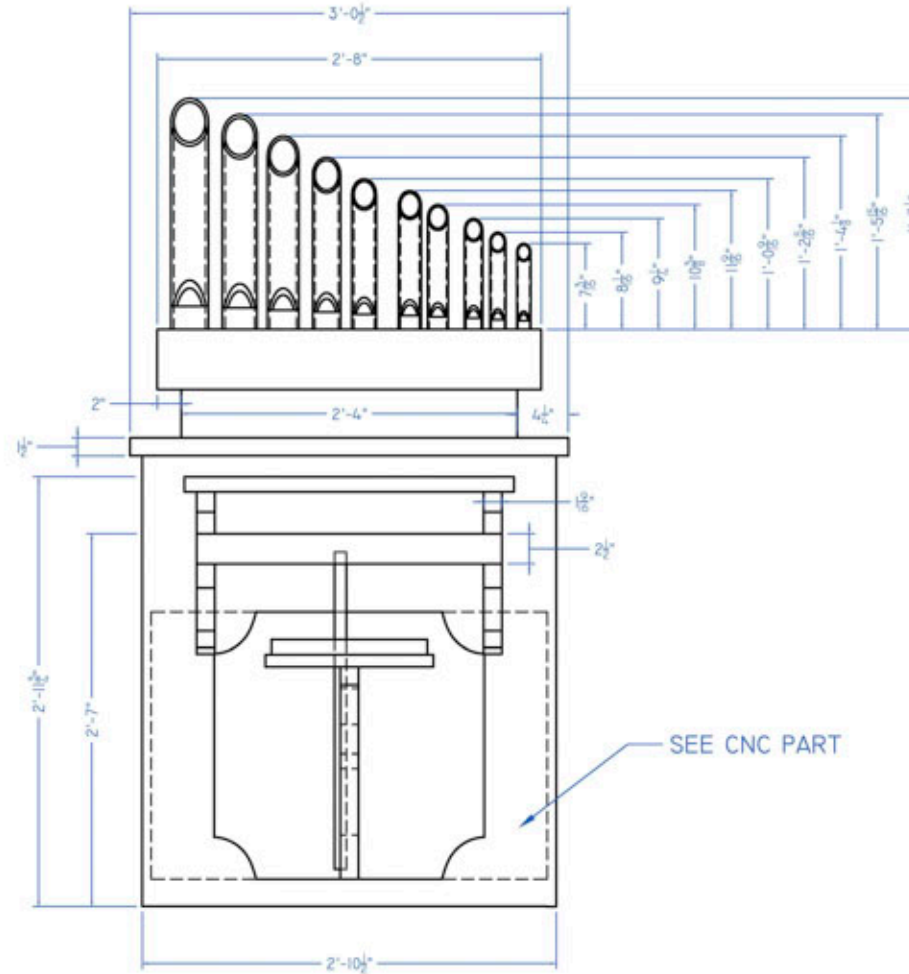


1/4" WATERJET CUT  
STEEL PLATE WITH  
1/2" PLYWOOD ON BOTH SIDES

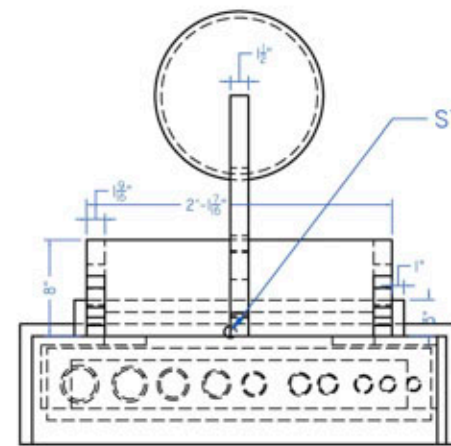
NOTE: STEEL PLATE MAY NEED  
TO BE TRIMMED



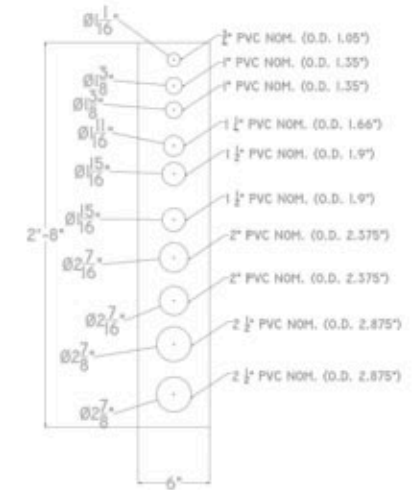
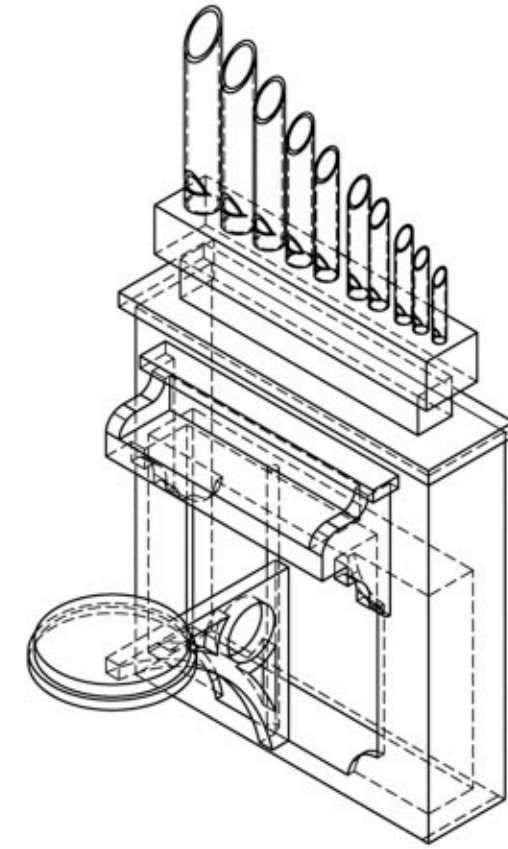
USE CNC PART FOR ACTUAL LAYOUT:  
PIPE O.D. IS DIFFERENT THAN SHOWN  
IN THIS DRAWING



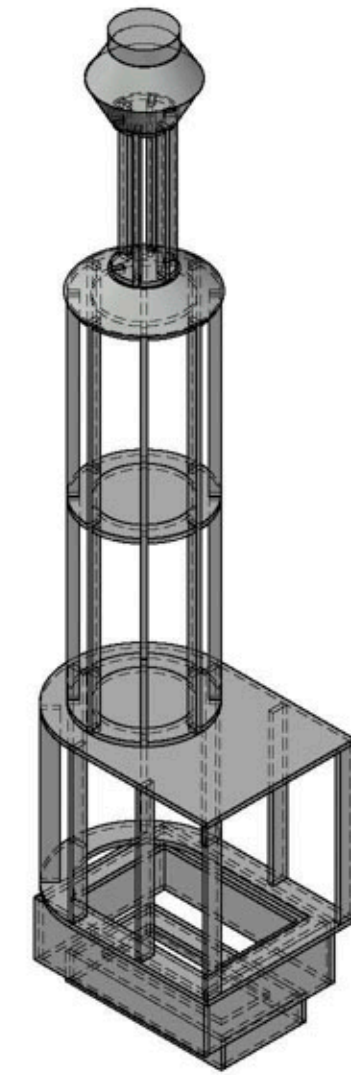
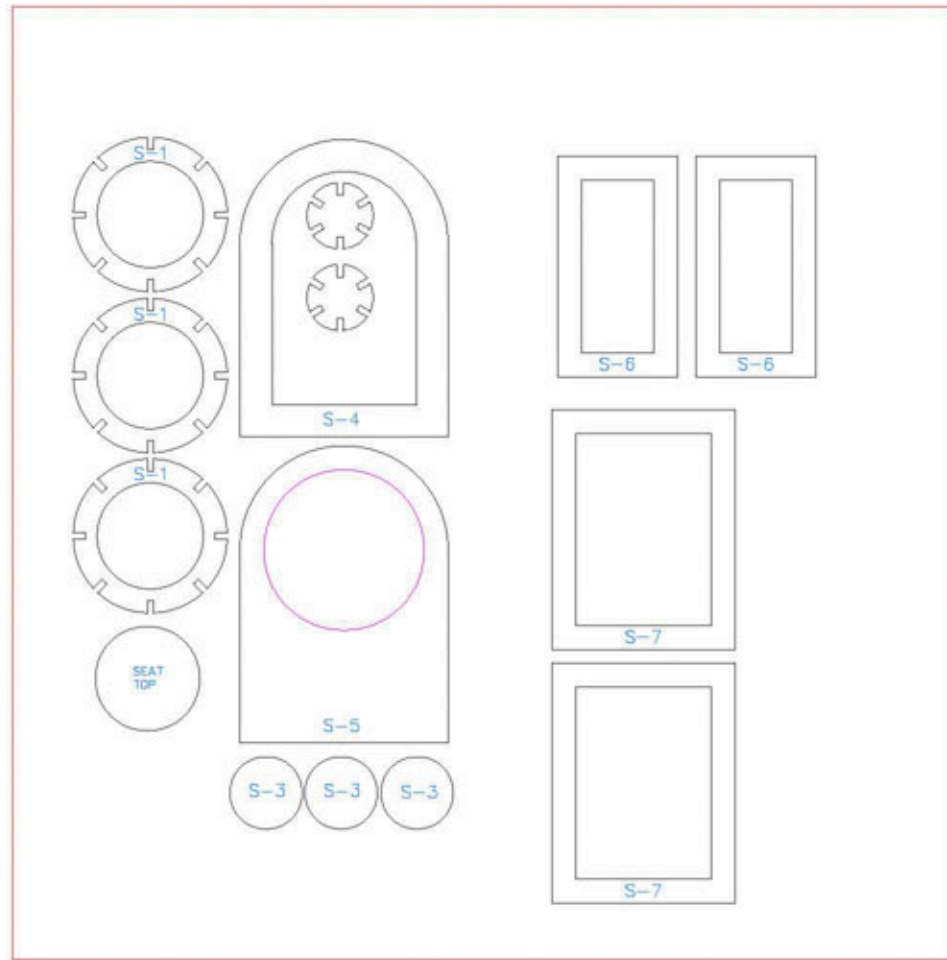
SEE CNC PART



STOOL ARM SWIVELS HERE







1 HIDDEN LINE  
1/2" = 1'-0"

