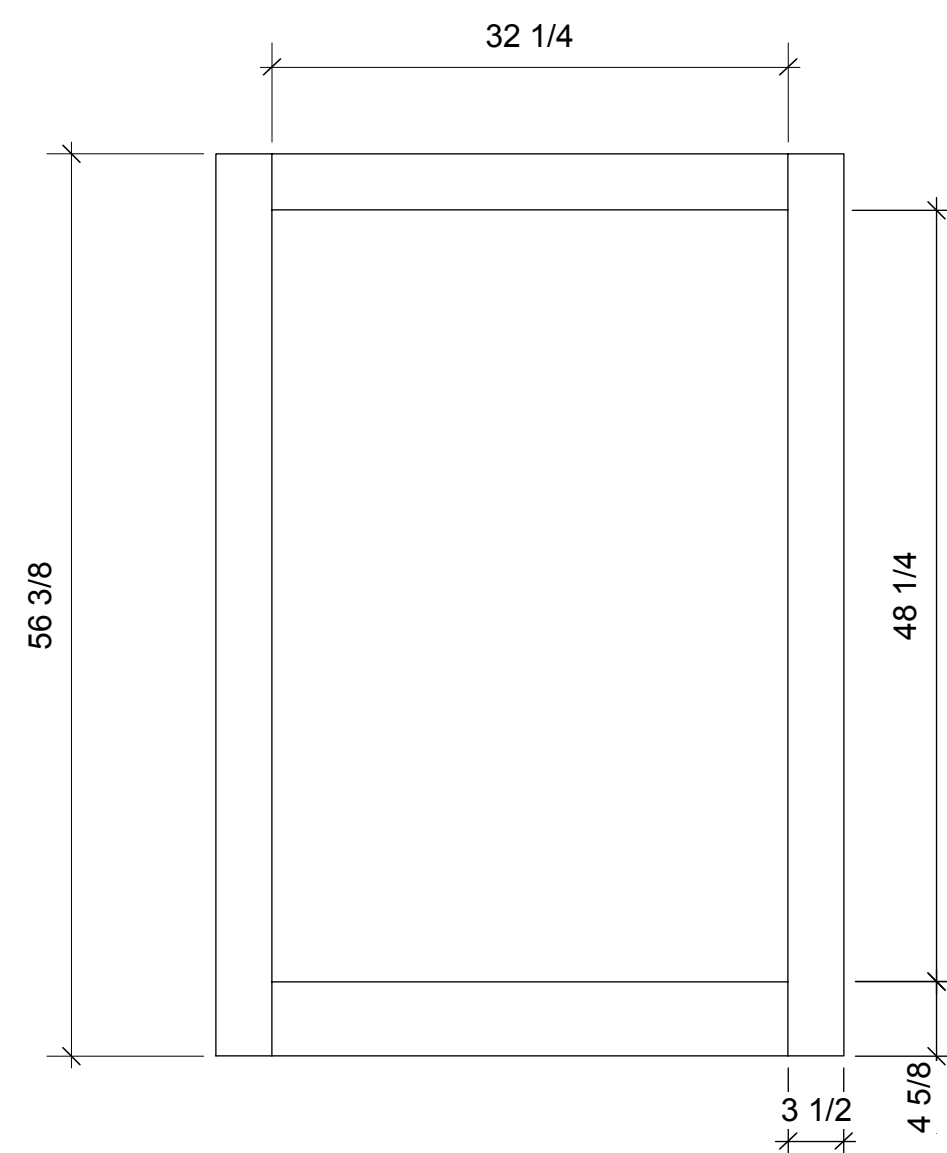
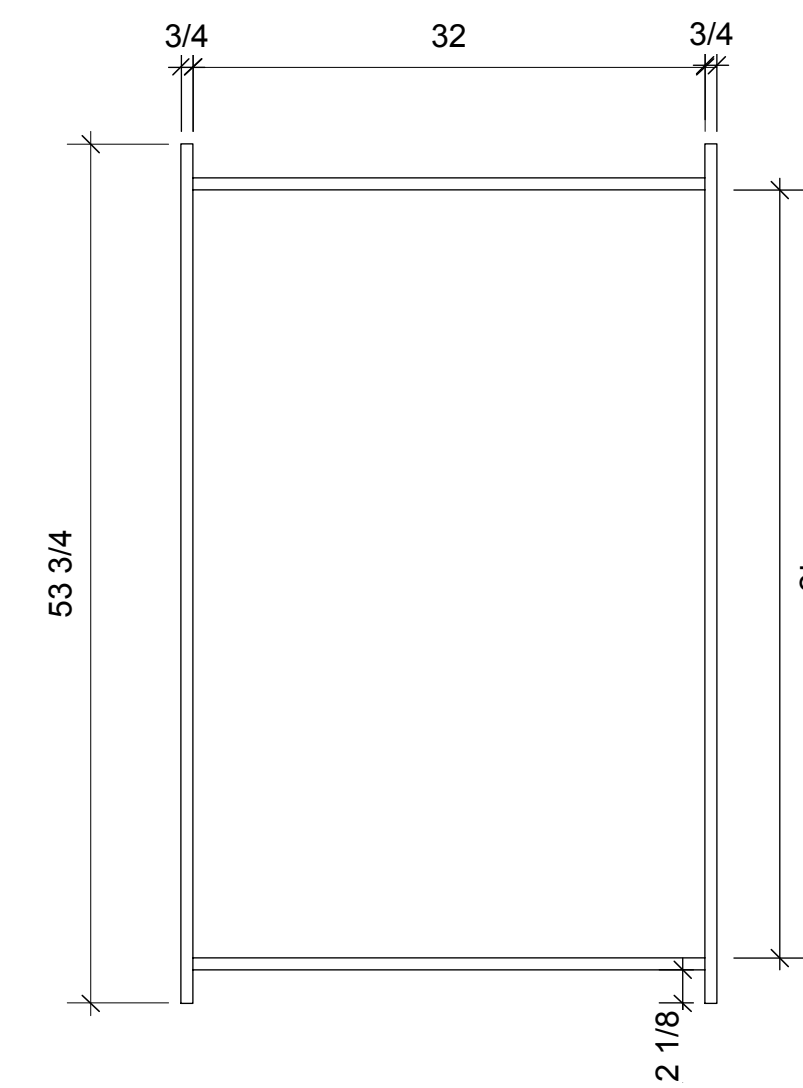


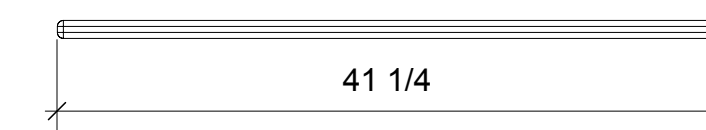
1 Casing L220
Scale: 1" = 1'-0"



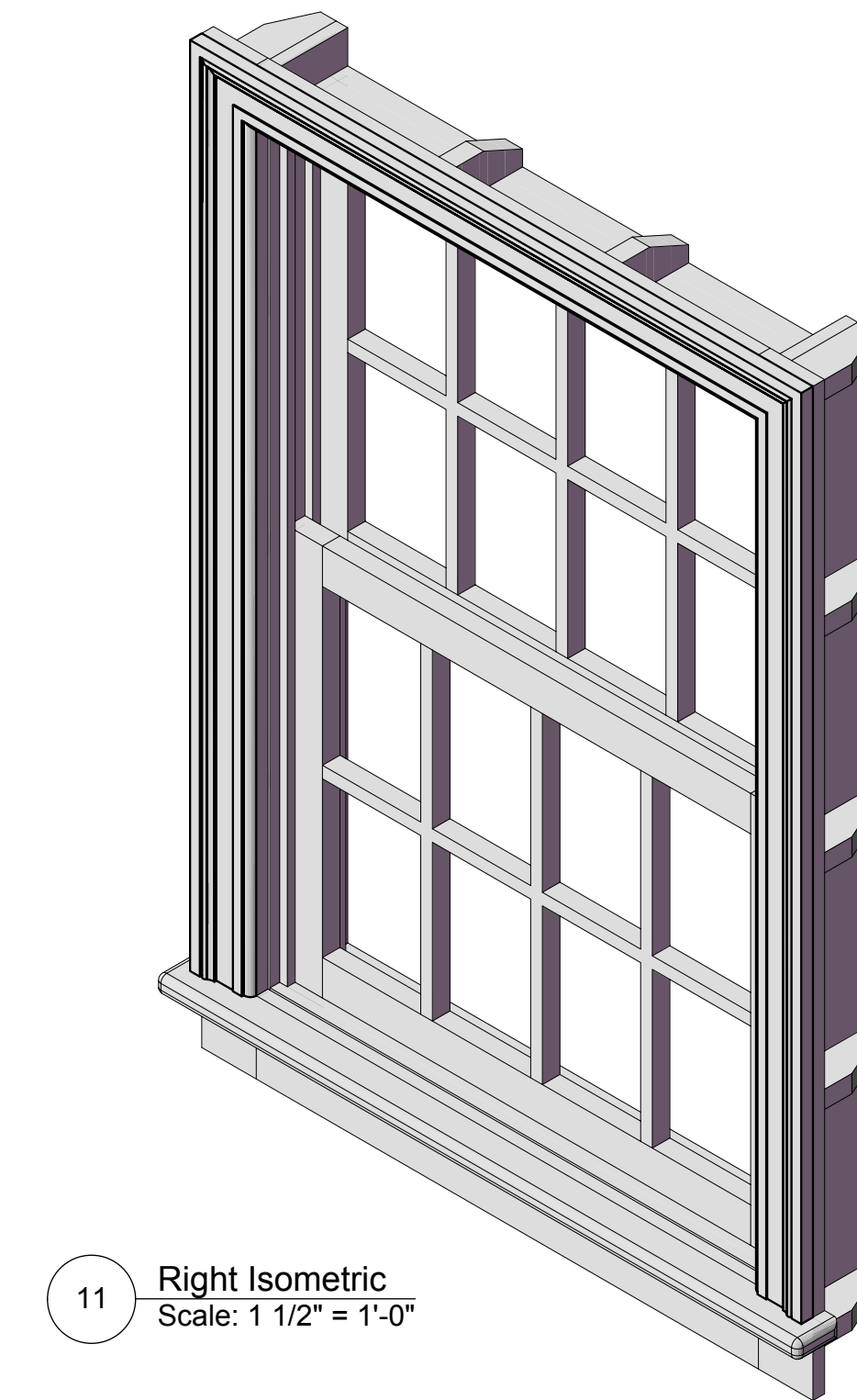
2 Casing Backing
Scale: 1" = 1'-0"



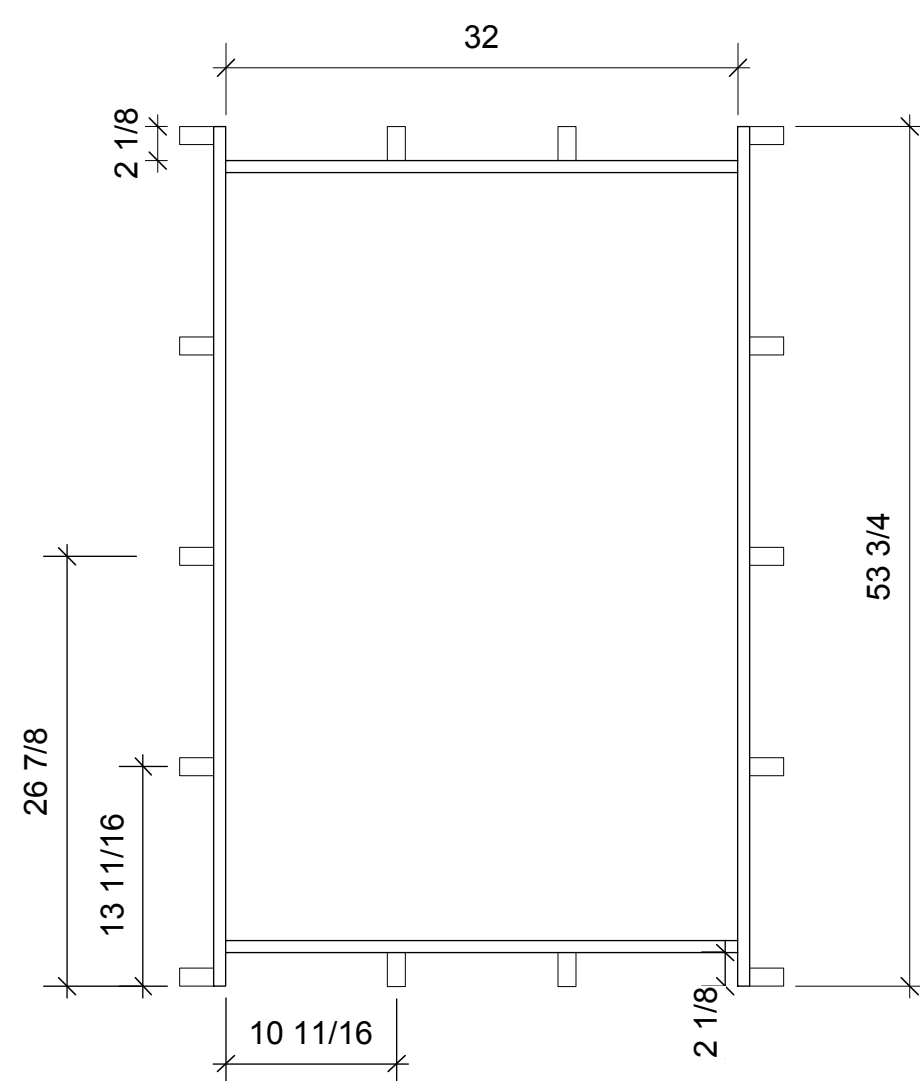
3 Jamb
Scale: 1" = 1'-0"



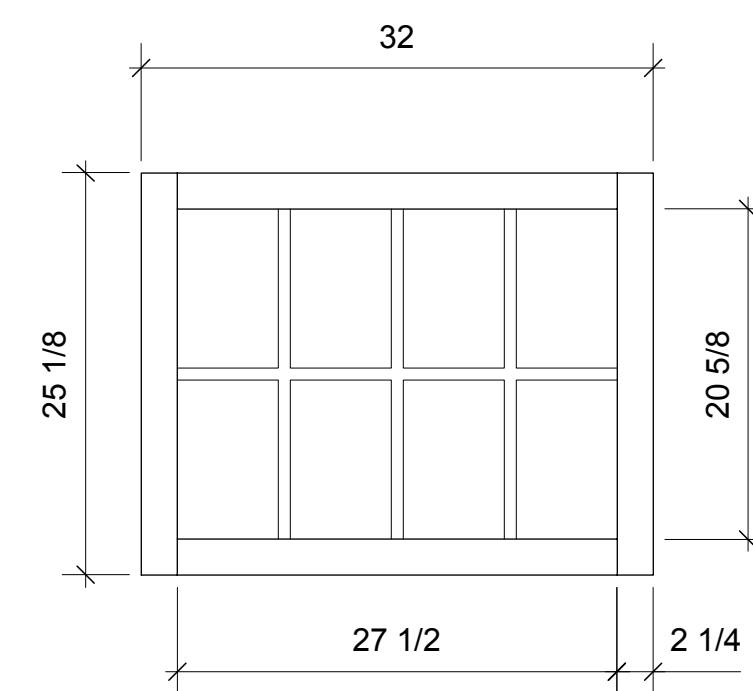
4 Sill
Scale: 1" = 1'-0"



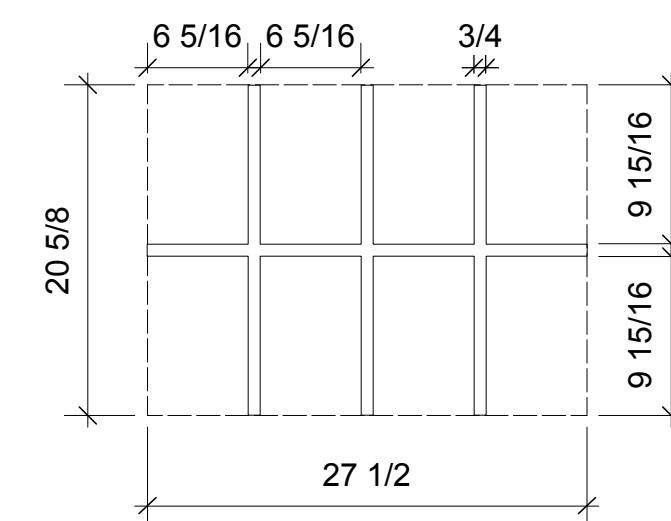
11 Right Isometric
Scale: 1 1/2" = 1'-0"



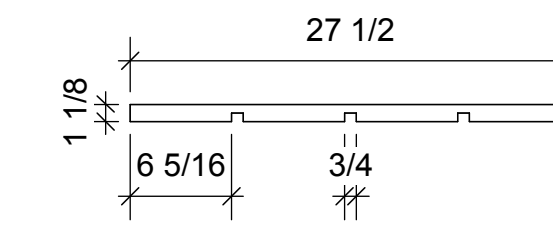
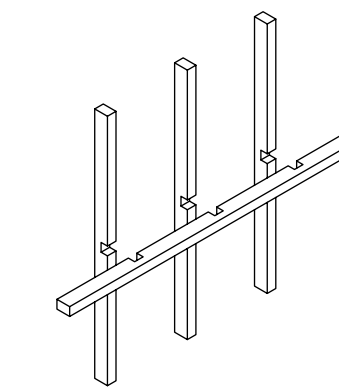
5 Jamb and Knees
Scale: 1" = 1'-0"



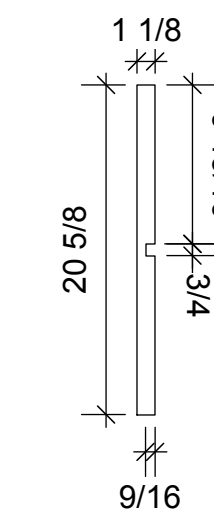
6 Sash
Scale: 1" = 1'-0"



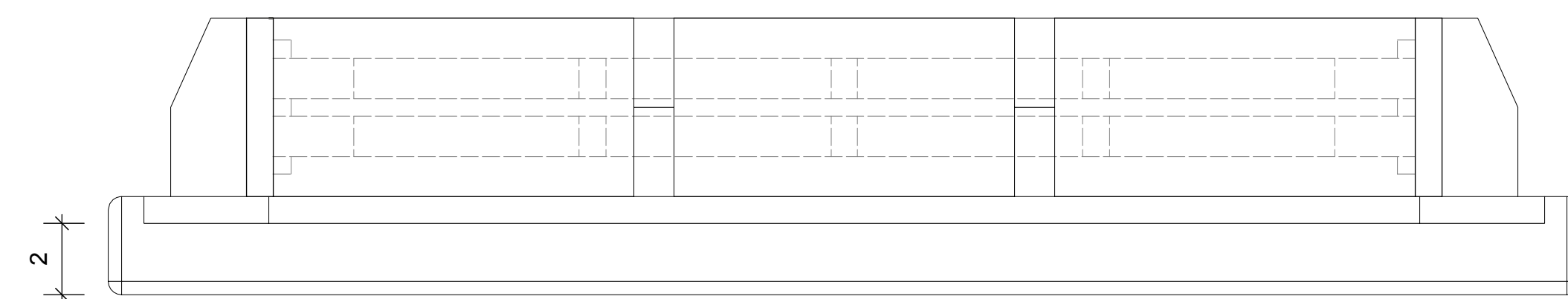
7 Muntins
Scale: 1" = 1'-0"



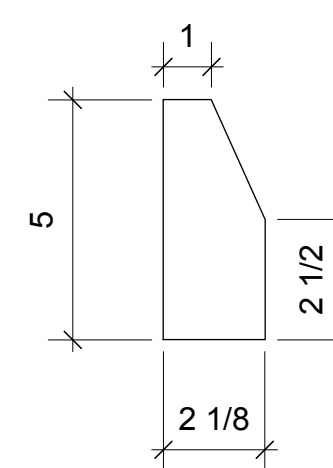
13 Plan Muntin Horizontal
Scale: 1" = 1'-0"



14 Muntin Verticle
Scale: 1" = 1'-0"

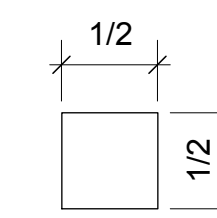


8 Plan View
Scale: 3" = 1'-0"



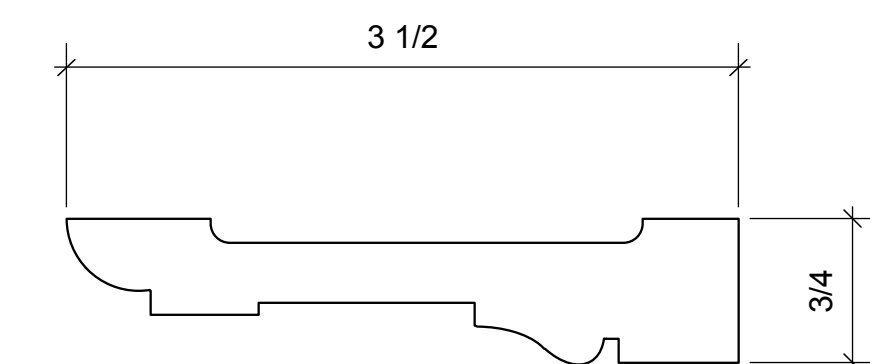
9 Block
Scale: 3" = 1'-0"

Make 14 pcs Blocks (Knees) 5/4 Pine



10 Jamb Stop
Scale: Actual Size

Make 6 pcs Jamb Stop 1/2" X 1/2" X 48"



12 Casing L220
Scale: Actual Size

Show Name Window 32 X 48		
Reference Reference	Drawn By John Romeo	Date 10/01/2011
CAD File Name Window JR ok v2012.vwx		