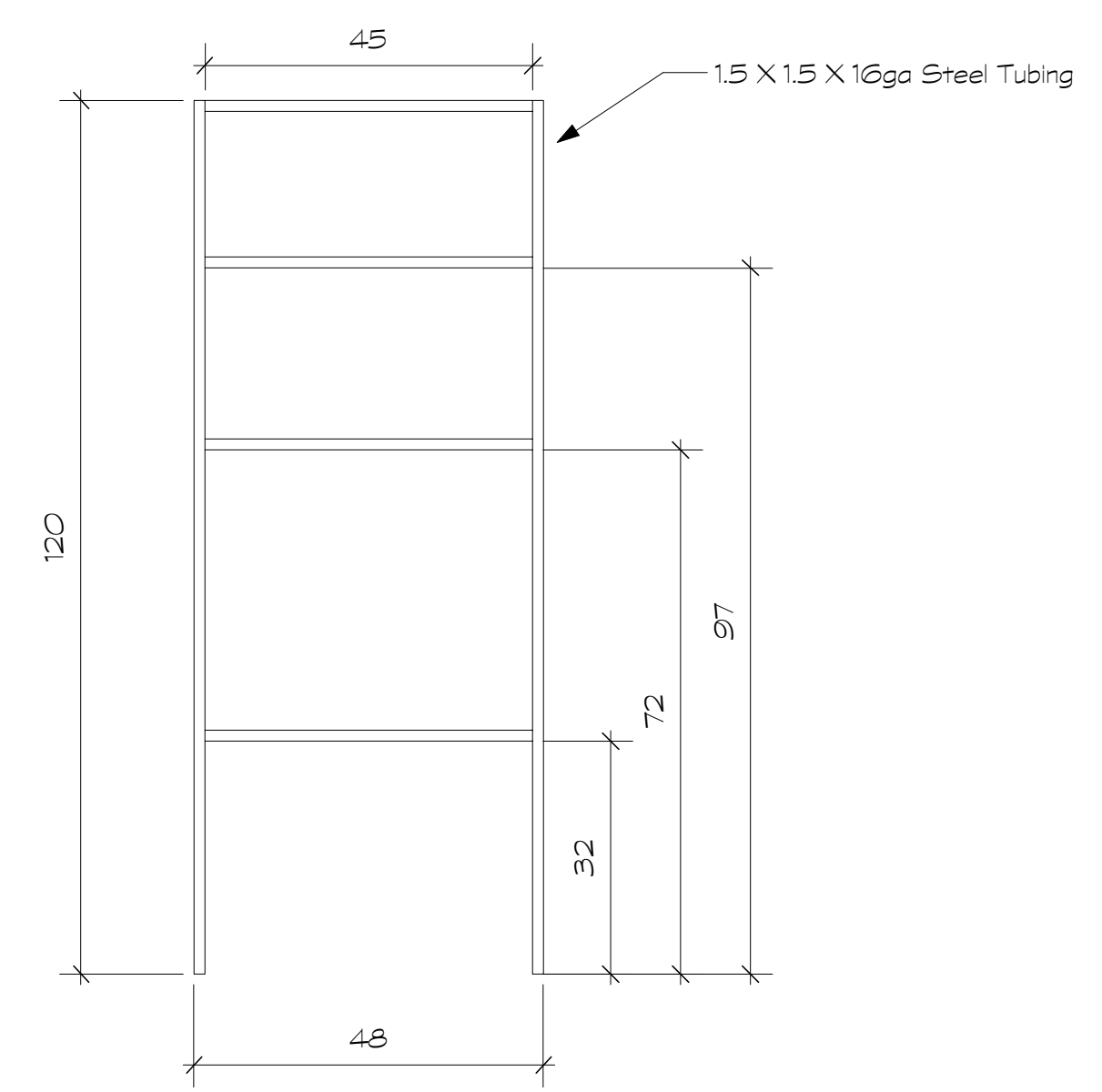
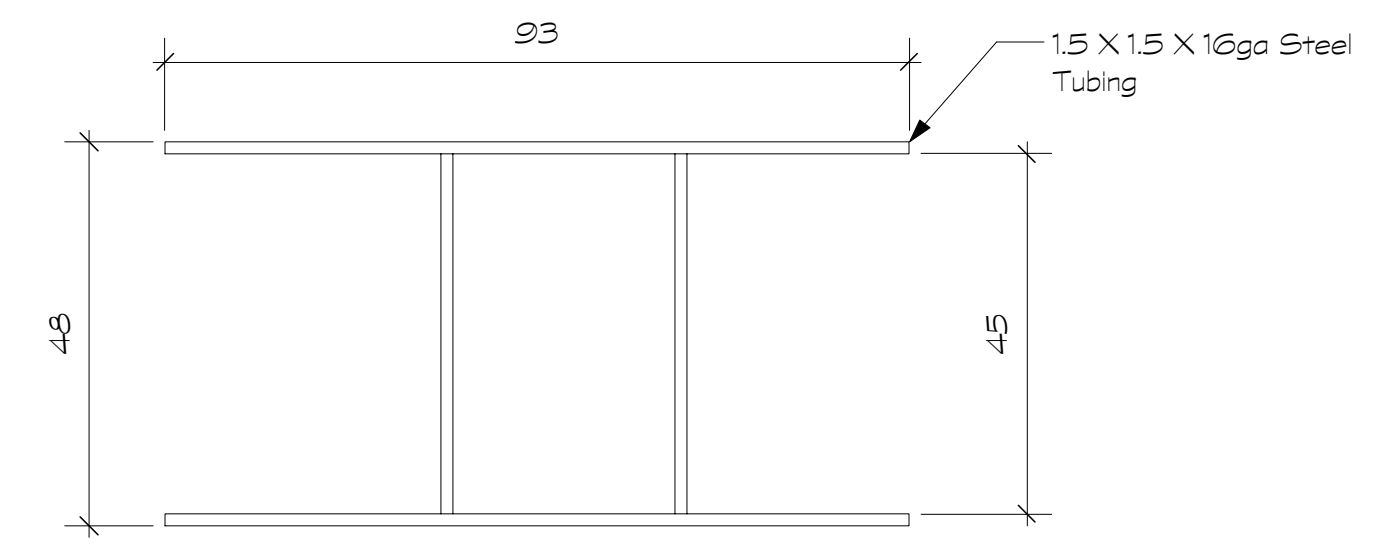


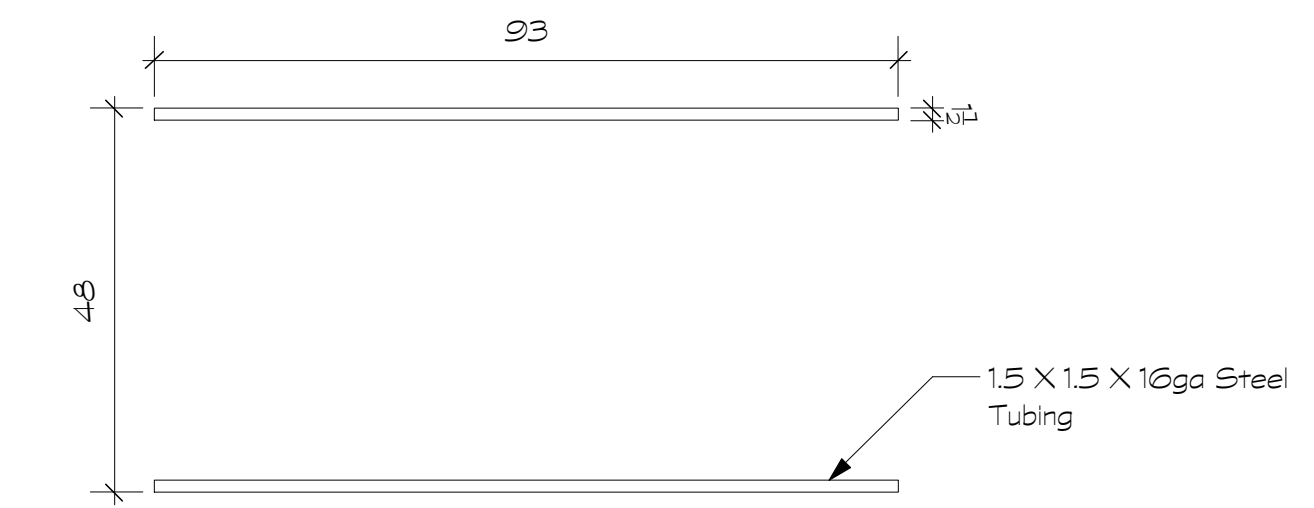
6 Fire Escape Railing
Scale: 1/2" = 1'-0"



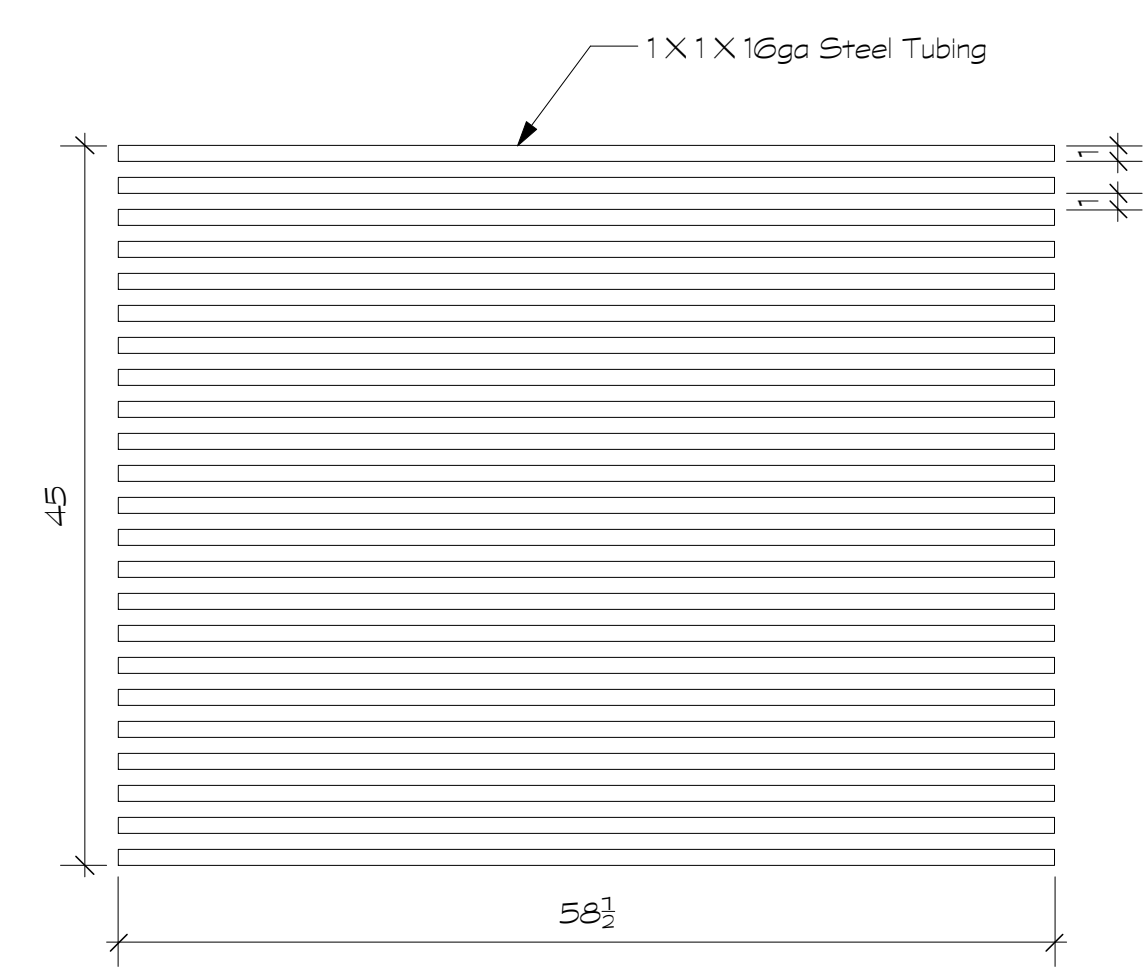
1 Support Frame Elevation
Scale: 1/2" = 1'-0" BUILD (2)



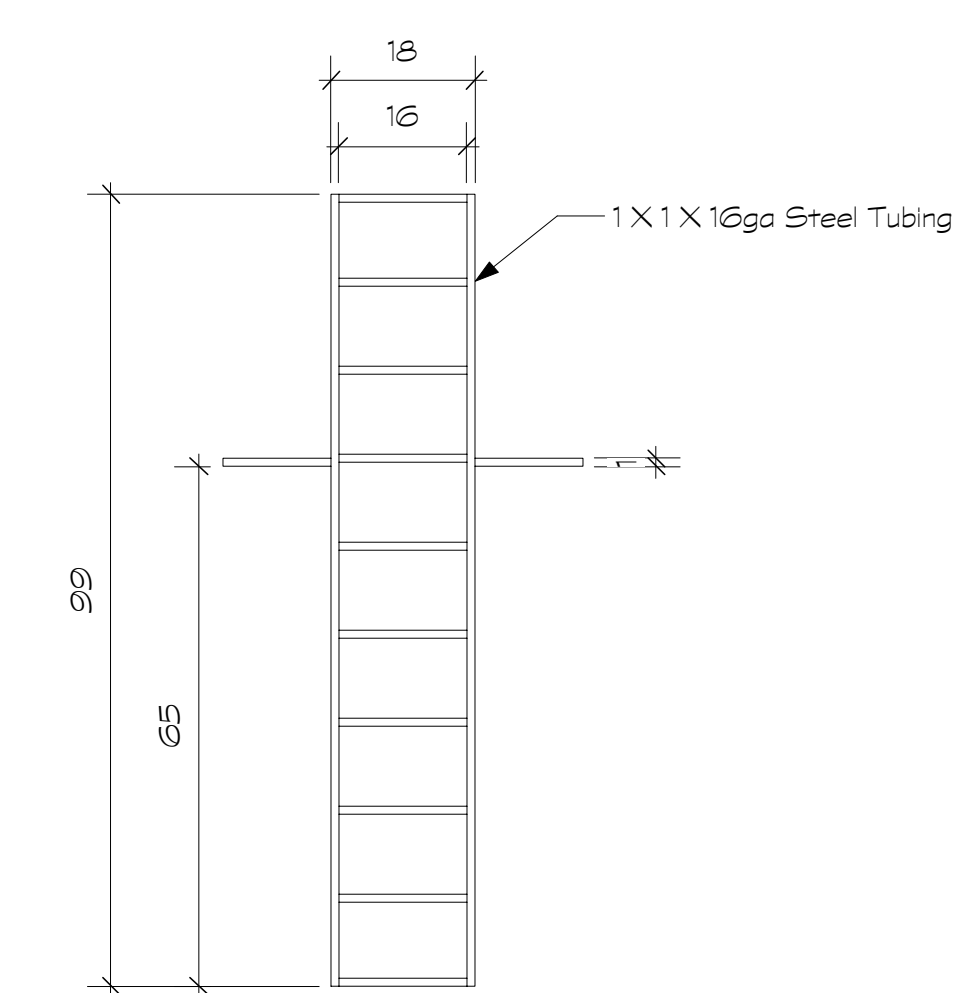
5 Deck Support Rails
Scale: 1/2" = 1'-0"



4 Lower Lateral Rails
Scale: 1/2" = 1'-0"

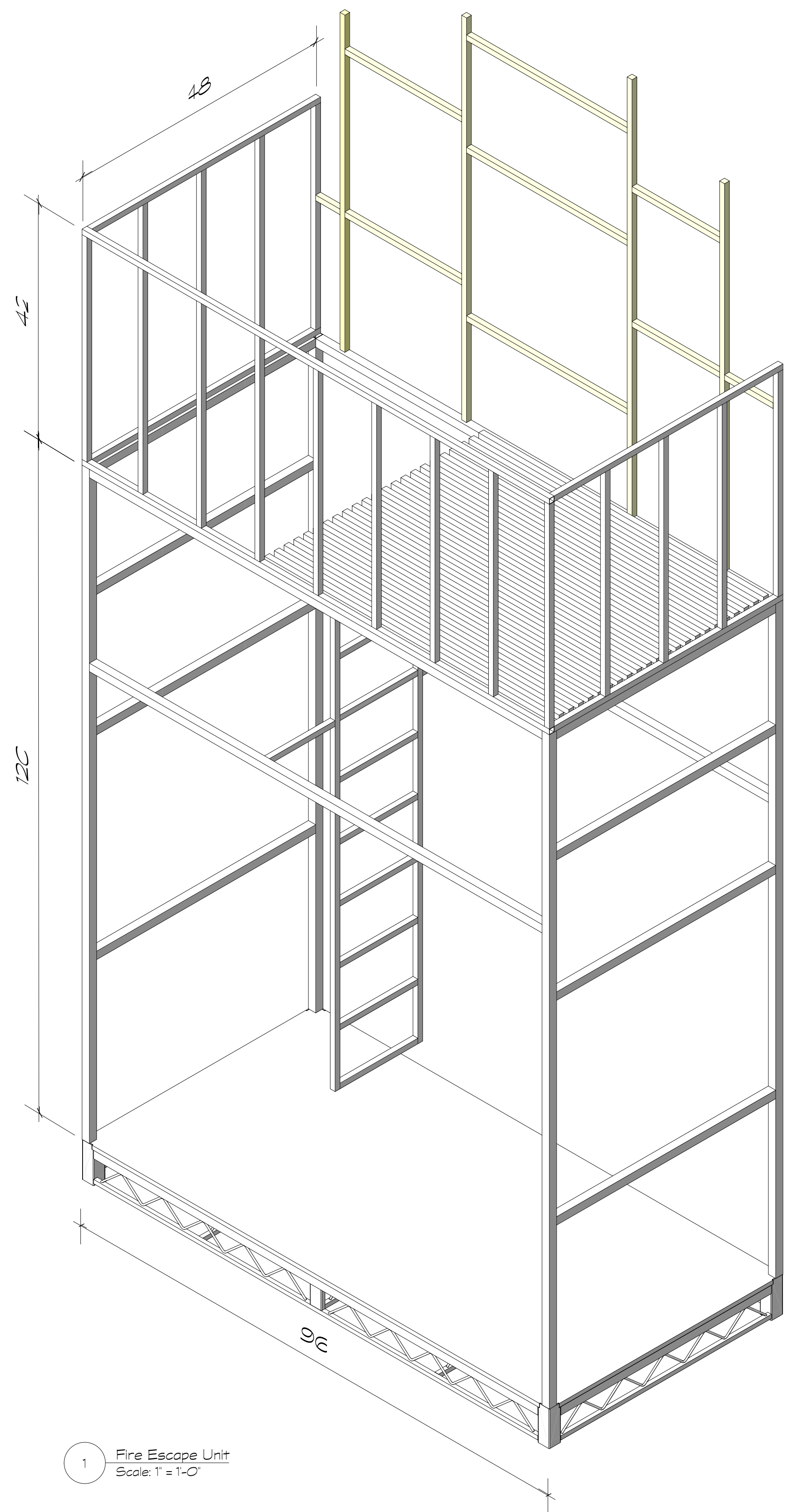


2 Deck Plan View
Scale: 1" = 1'-0"

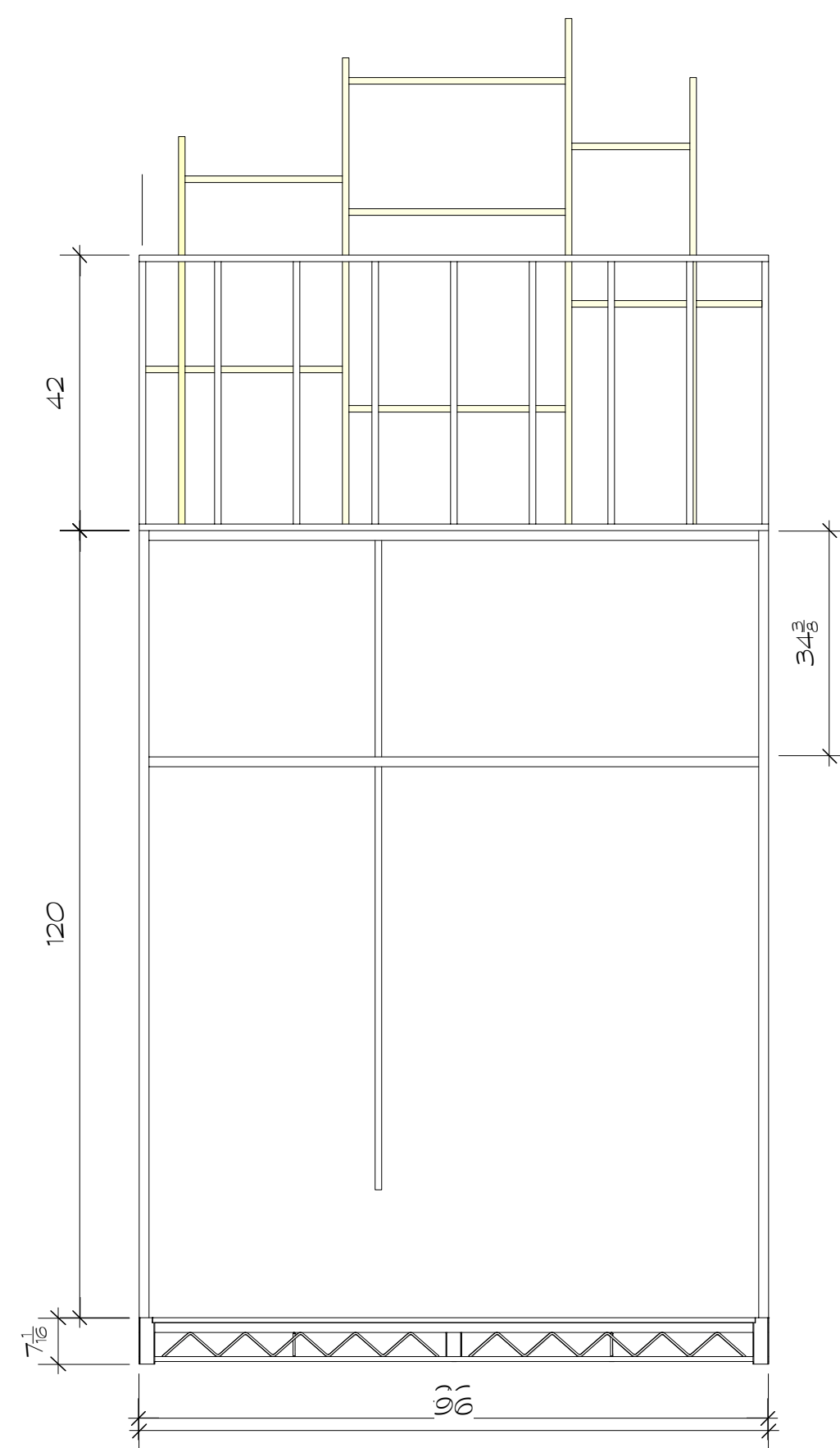


3 Ladder Elevation
Scale: 1/2" = 1'-0"

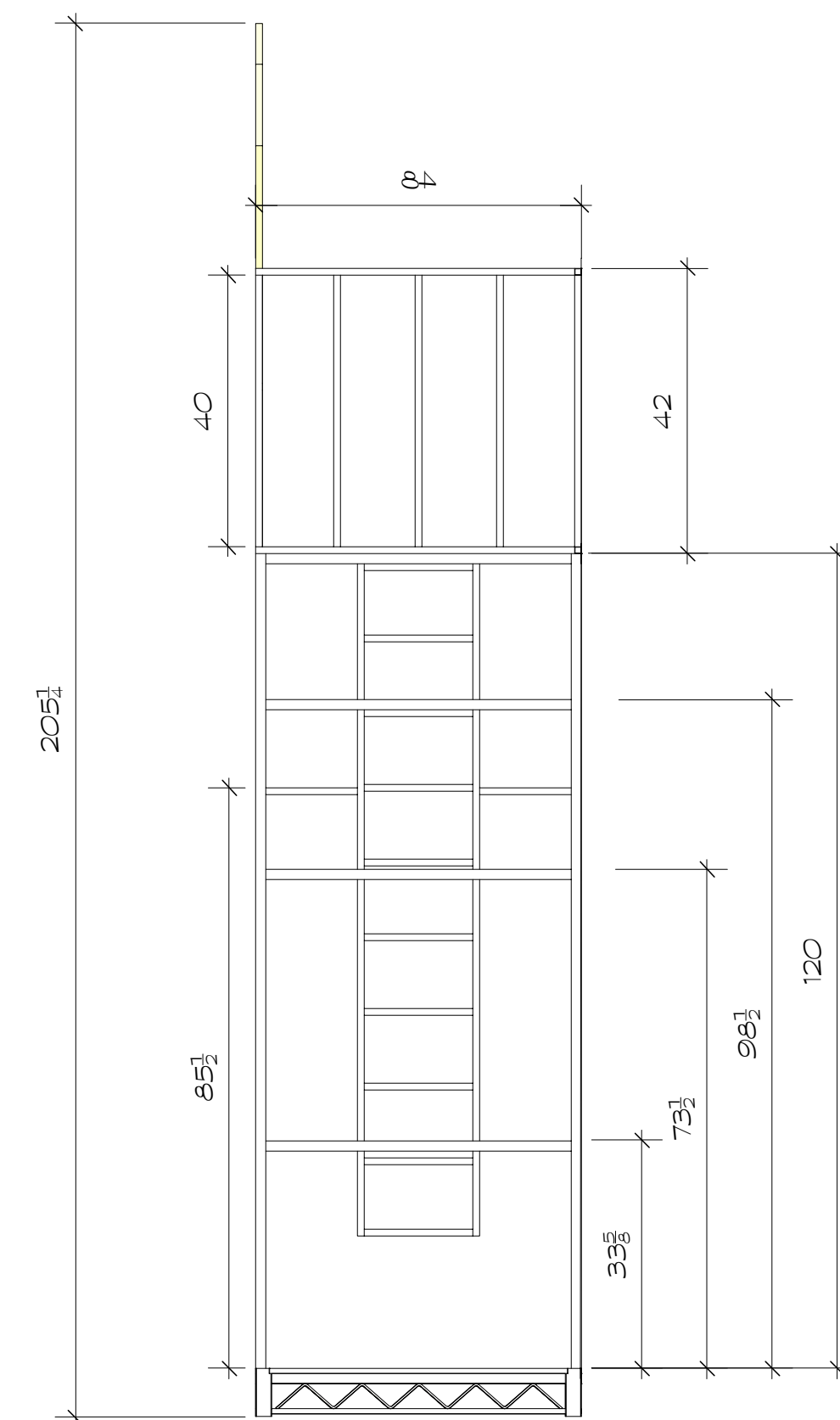
Show Name ANONYMOUS		
Reference Designer: Lily Guerin	Drawn By J Romeo	Date 10-8-13
CAD File Name FE ex Acad.vwx / Sheet 2		



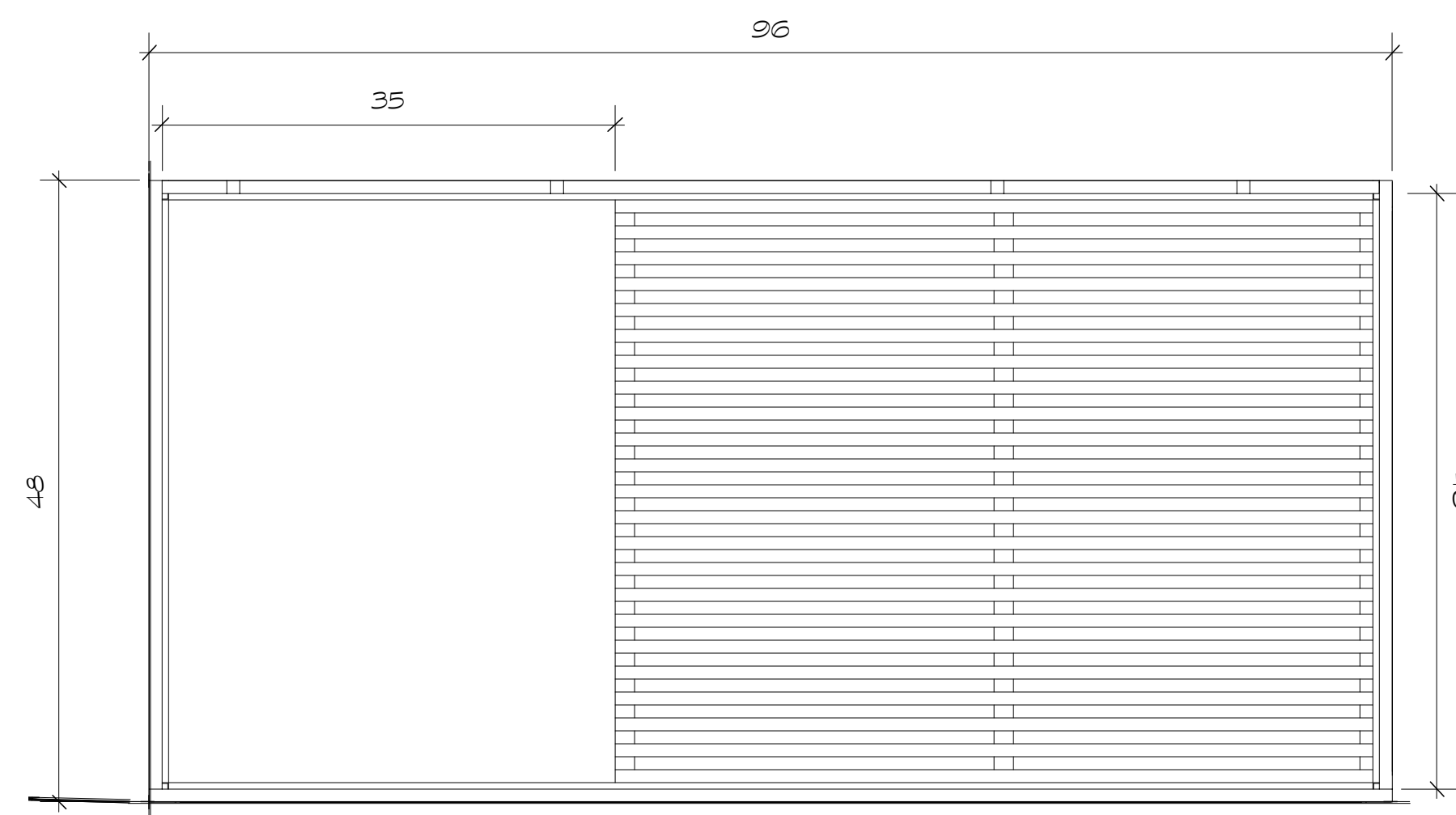
1 Fire Escape Unit
Scale: 1 = 1'-0"



2 Front Elevation
Scale: 1/2' = 1'-0"

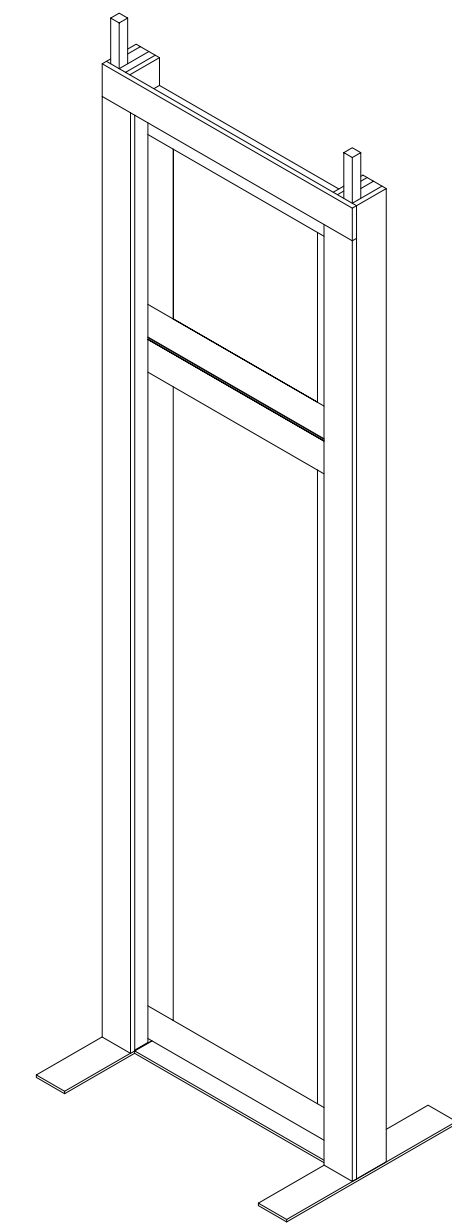
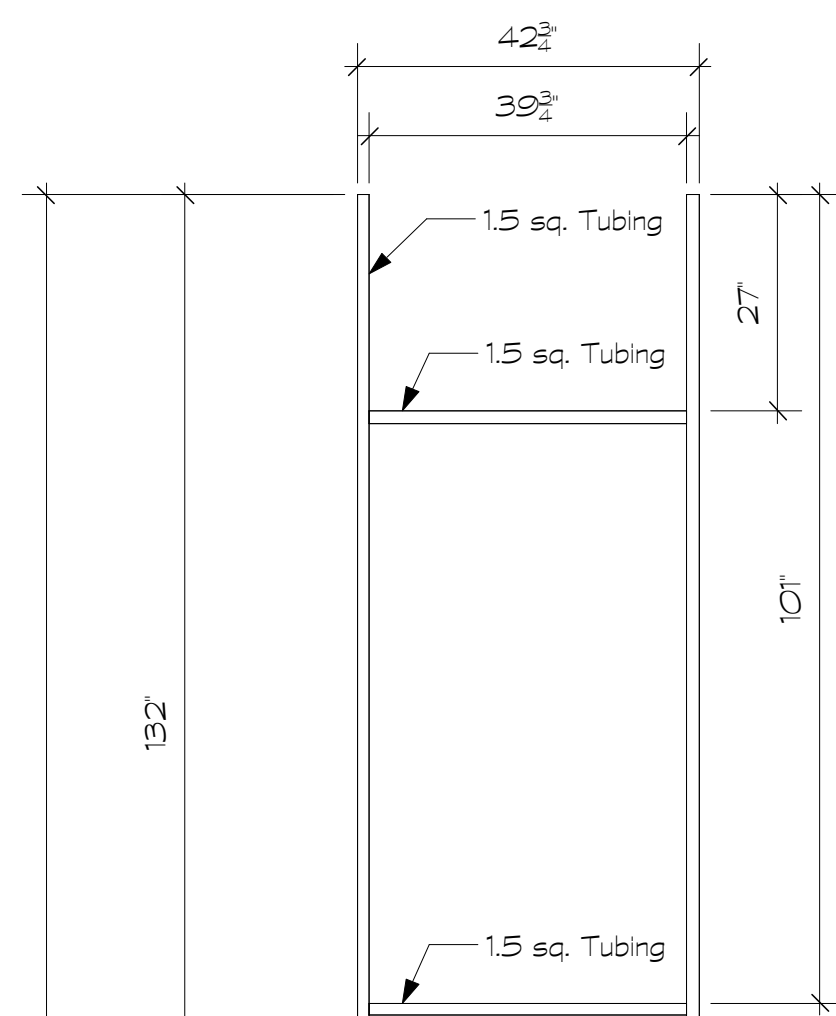


4 Side View
Scale: 1/2' = 1'-0"

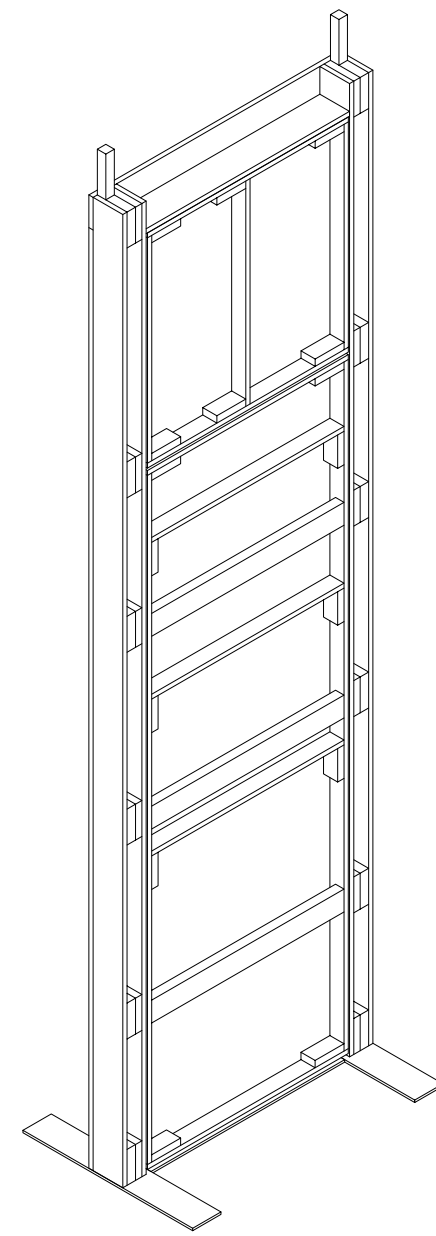


3 Plan View
Scale: 1' = 1'-0"

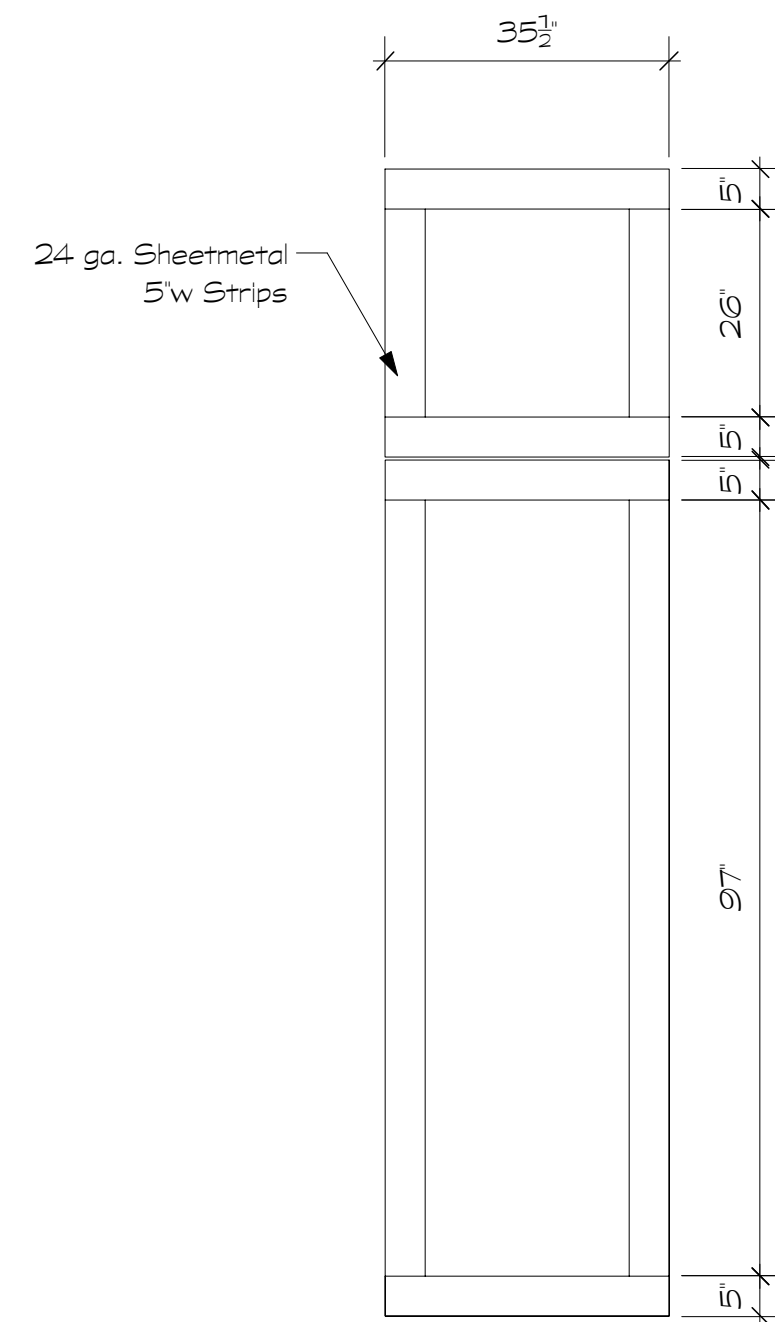
Show Name ANONYMOUS		
Reference Designer: Lily Guerin	Drawn By J Romeo	Date 10-8-13
CAD File Name FE ex Acad.vwx / Sheet 1		



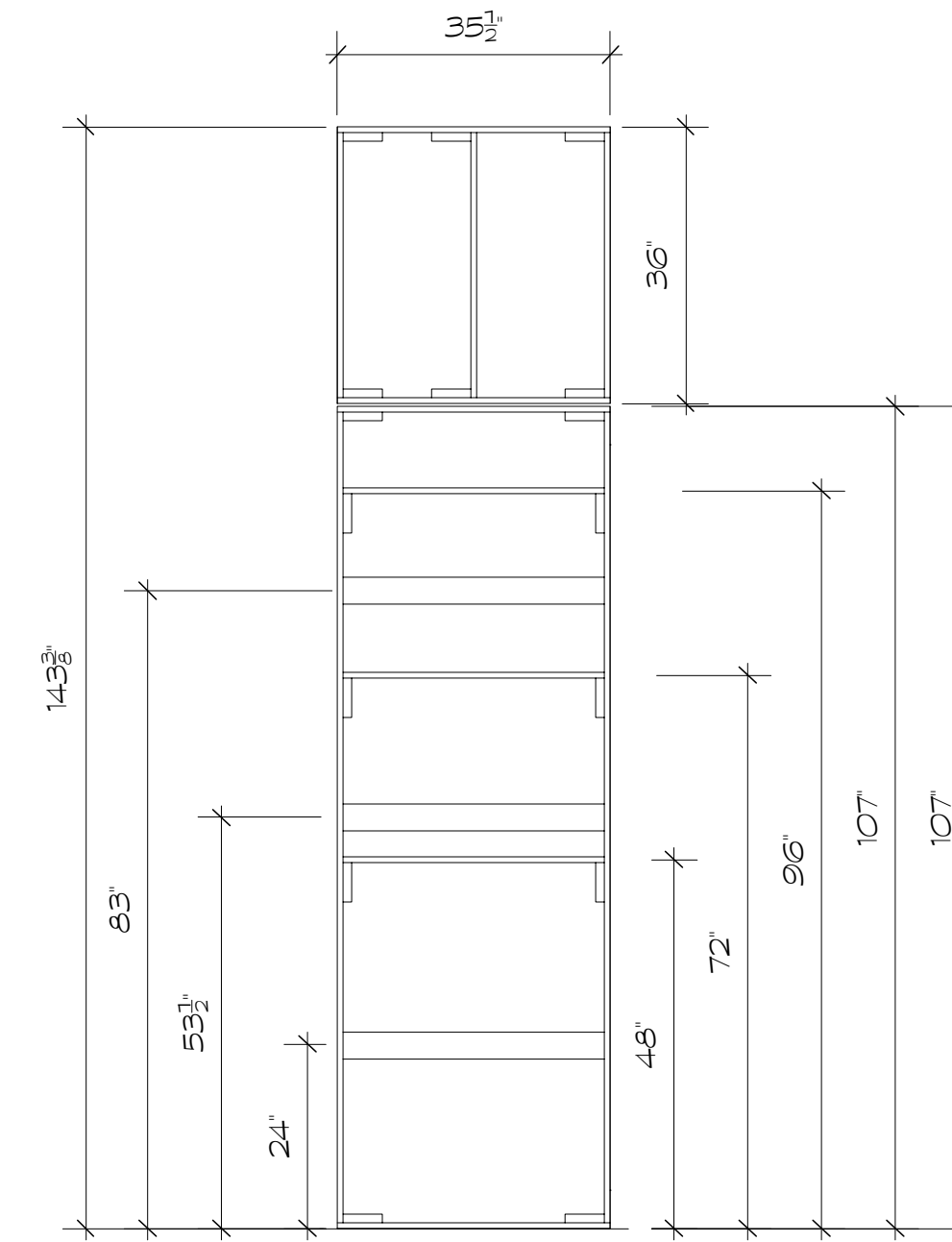
1 Right Isometric
Scale: 1/2" = 1'-0"



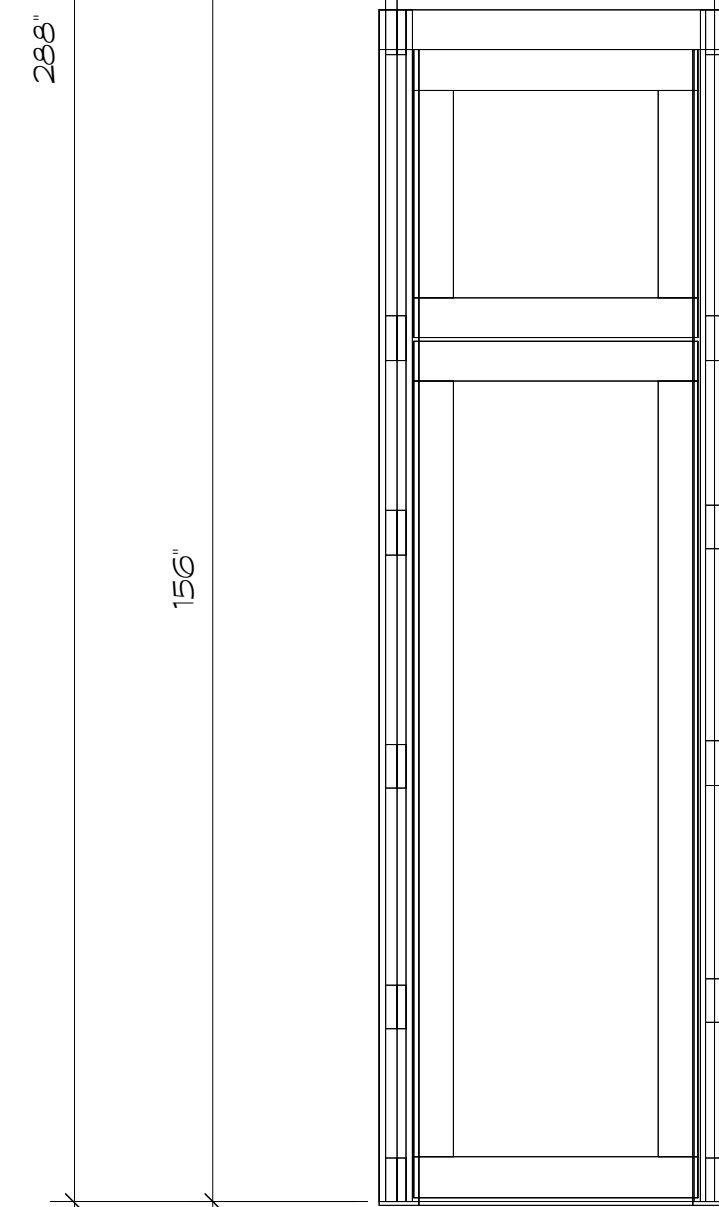
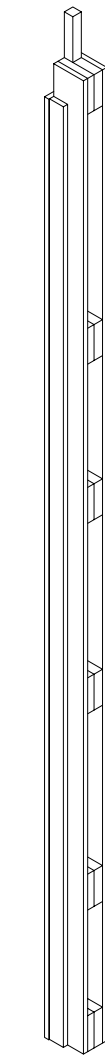
2 Right Rear Iso
Scale: 1/2" = 1'-0"



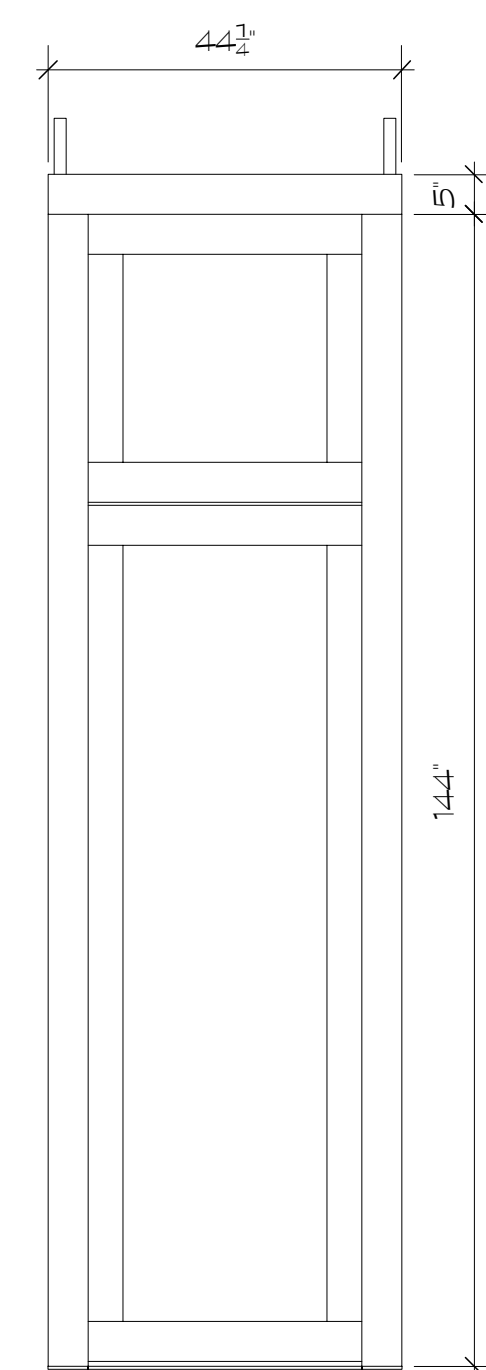
5 Door and Header Elevation
Scale: 1/2" = 1'-0"



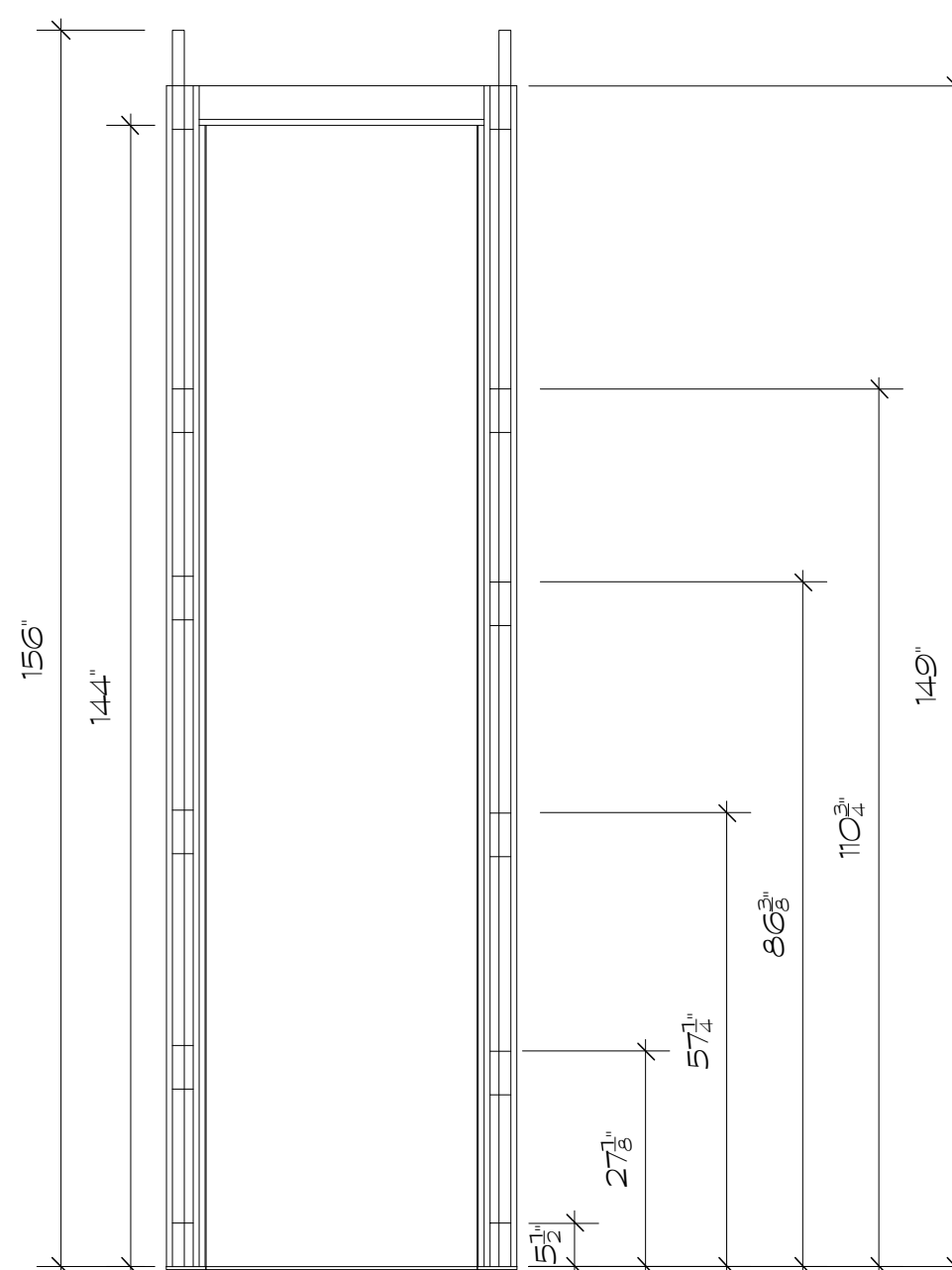
6 Door & Header Rear Elevation
Scale: 1/2" = 1'-0"



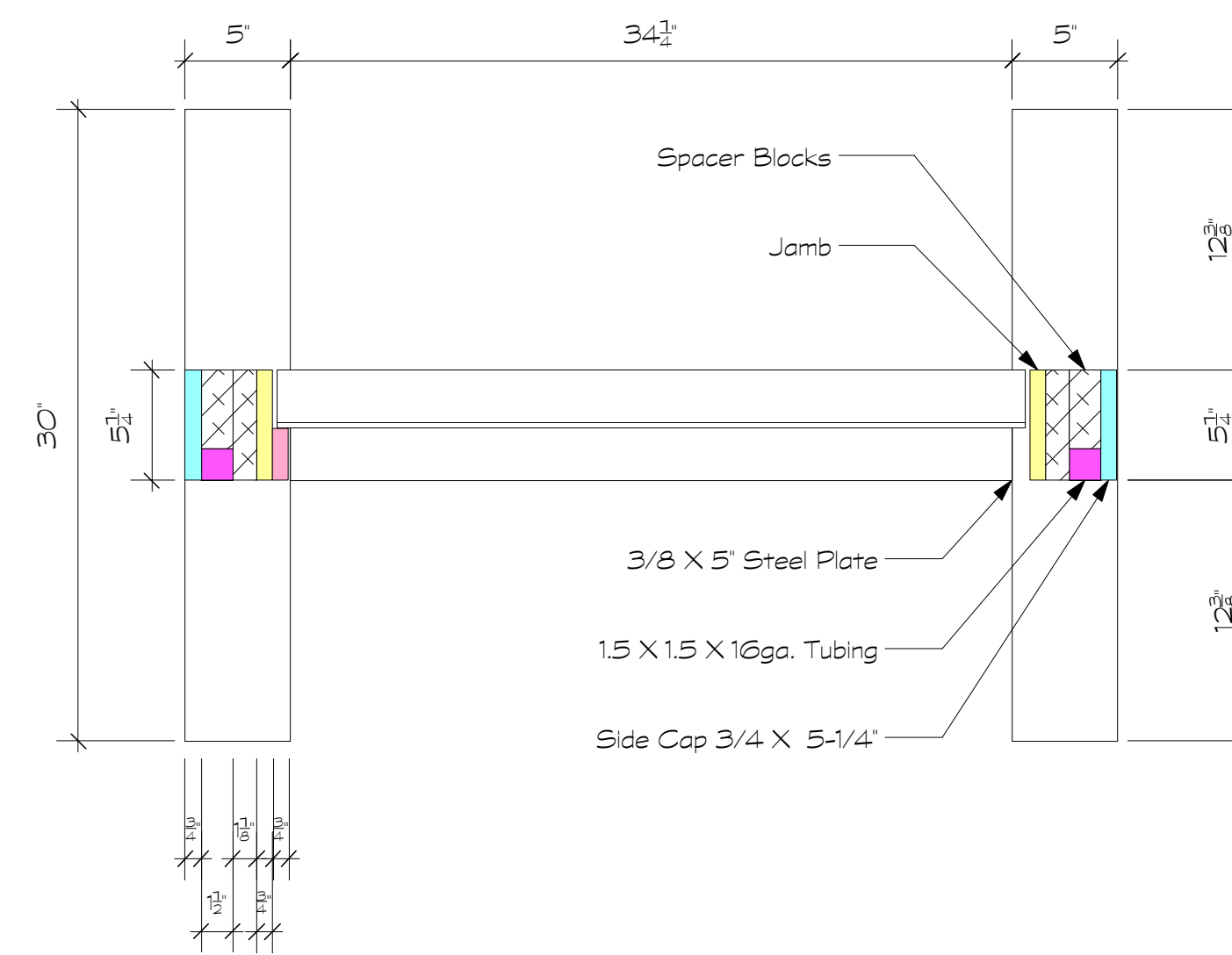
9 Front Ele. Extend 24ft
Scale: 1/2" = 1'-0"



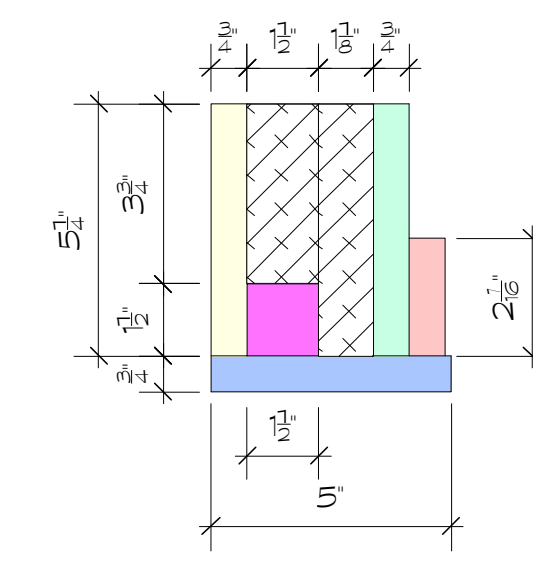
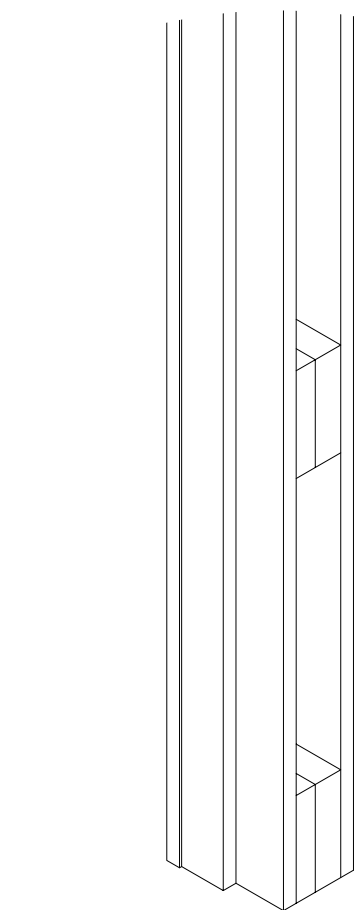
3 Front Elevation
Scale: 1/2" = 1'-0"



4 Rear Elevation
Scale: 1/2" = 1'-0"



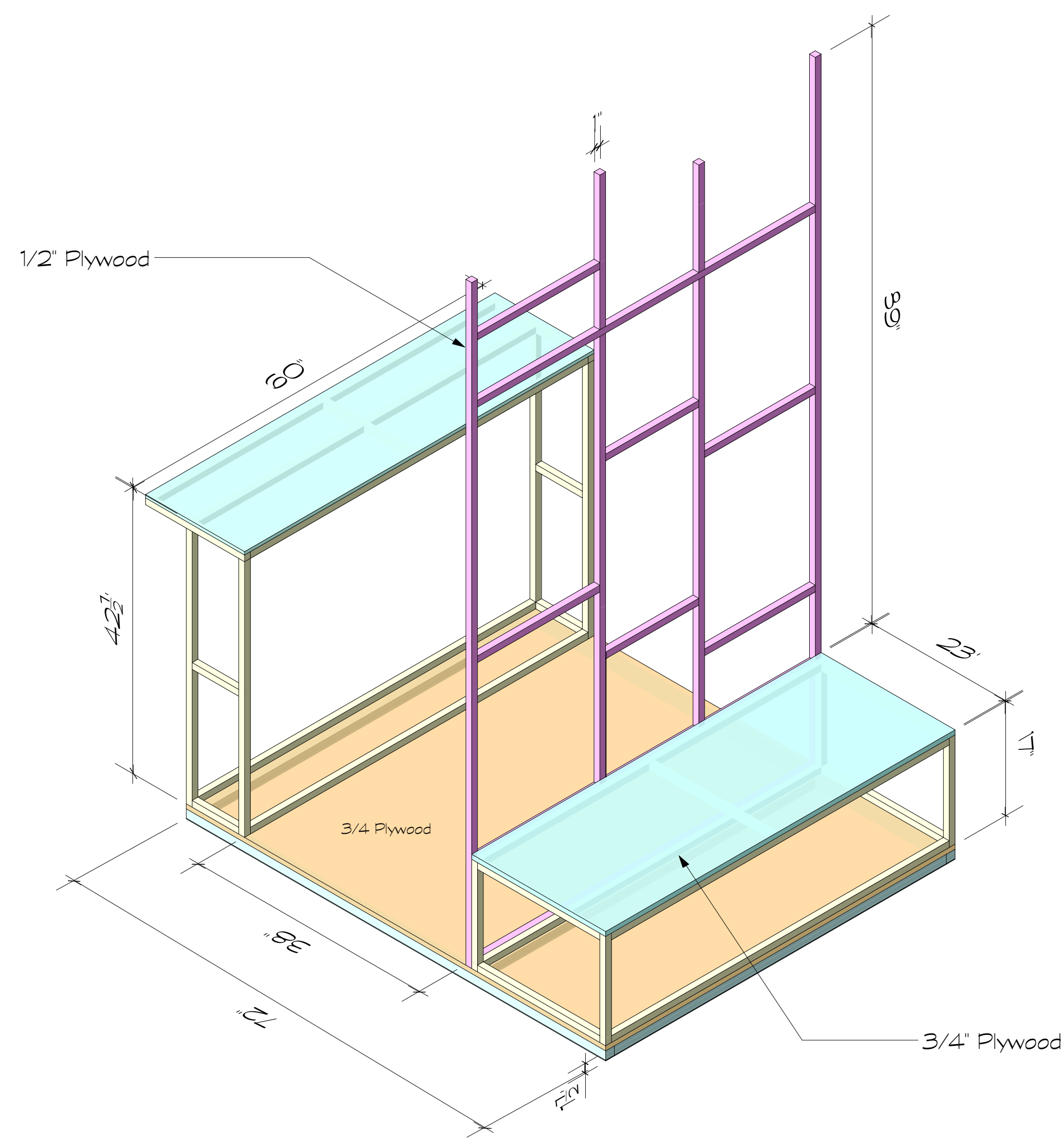
7 Plan View
Scale: 1 1/2" = 1'-0"



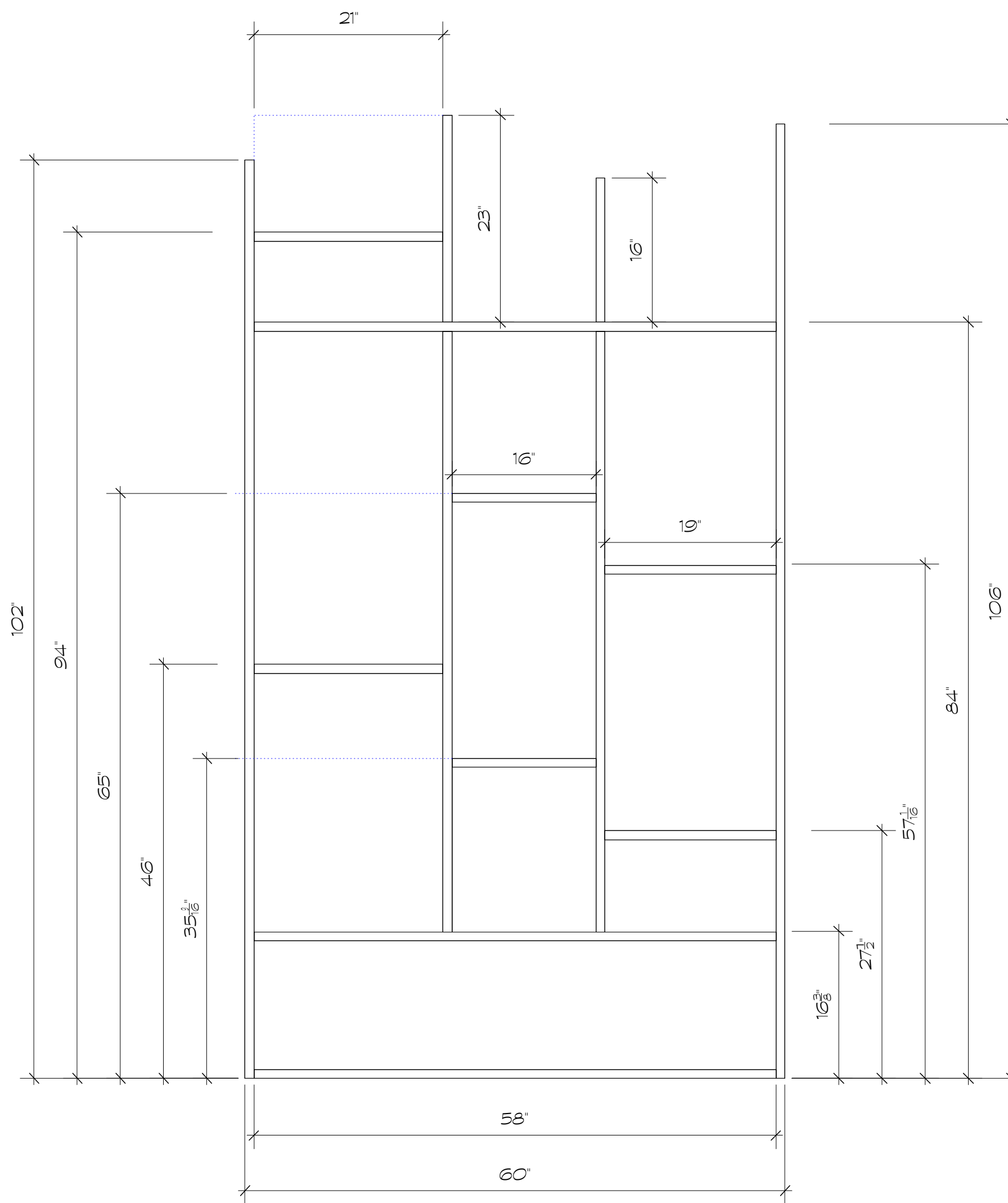
Reverse & Repeat Right Verticle

8 Plan Left Verticle
Scale: 3" = 1'-0"

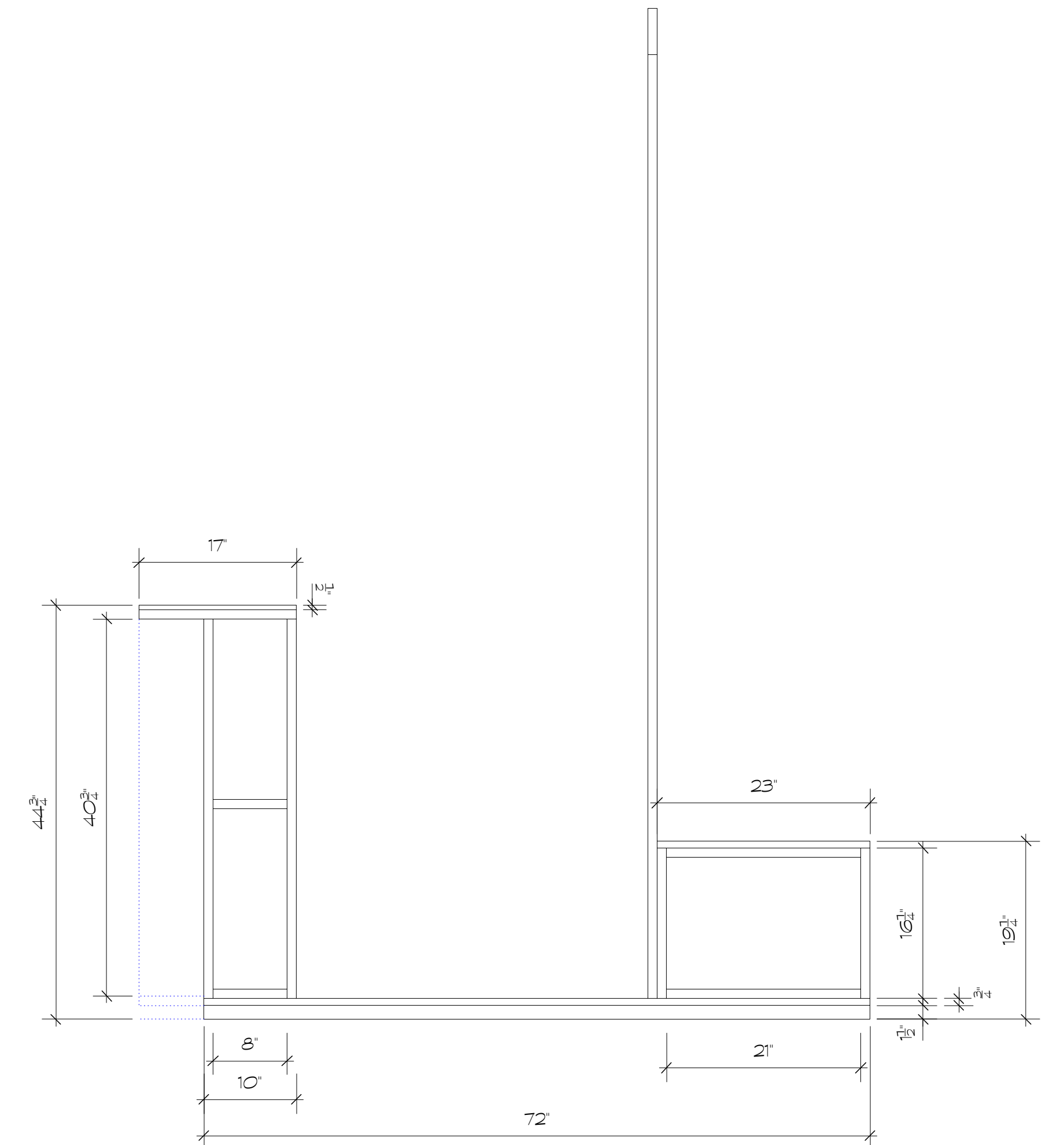
Show Name ANONYMOUS		
Reference Designer: Lily Guerin	Drawn By J Romeo	Date 10-21-13
CAD File Name Butcher's Door Rev2_JR_10-20-13		



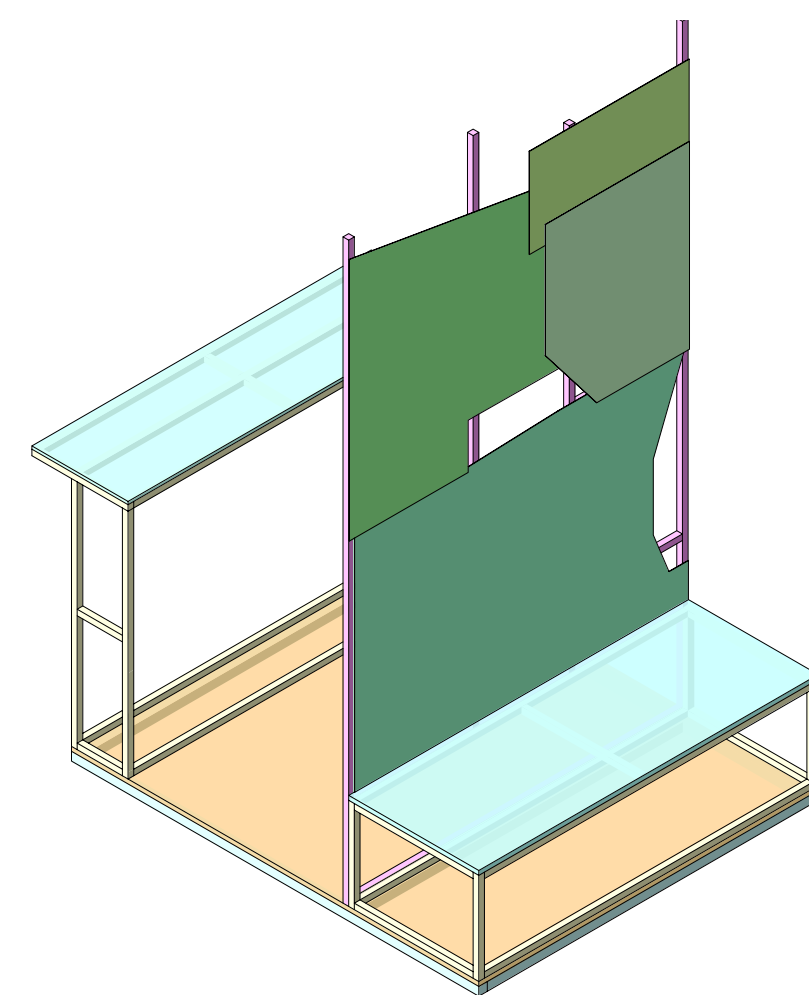
2 [Drawing Title]
Scale: 1 = 1'-0"



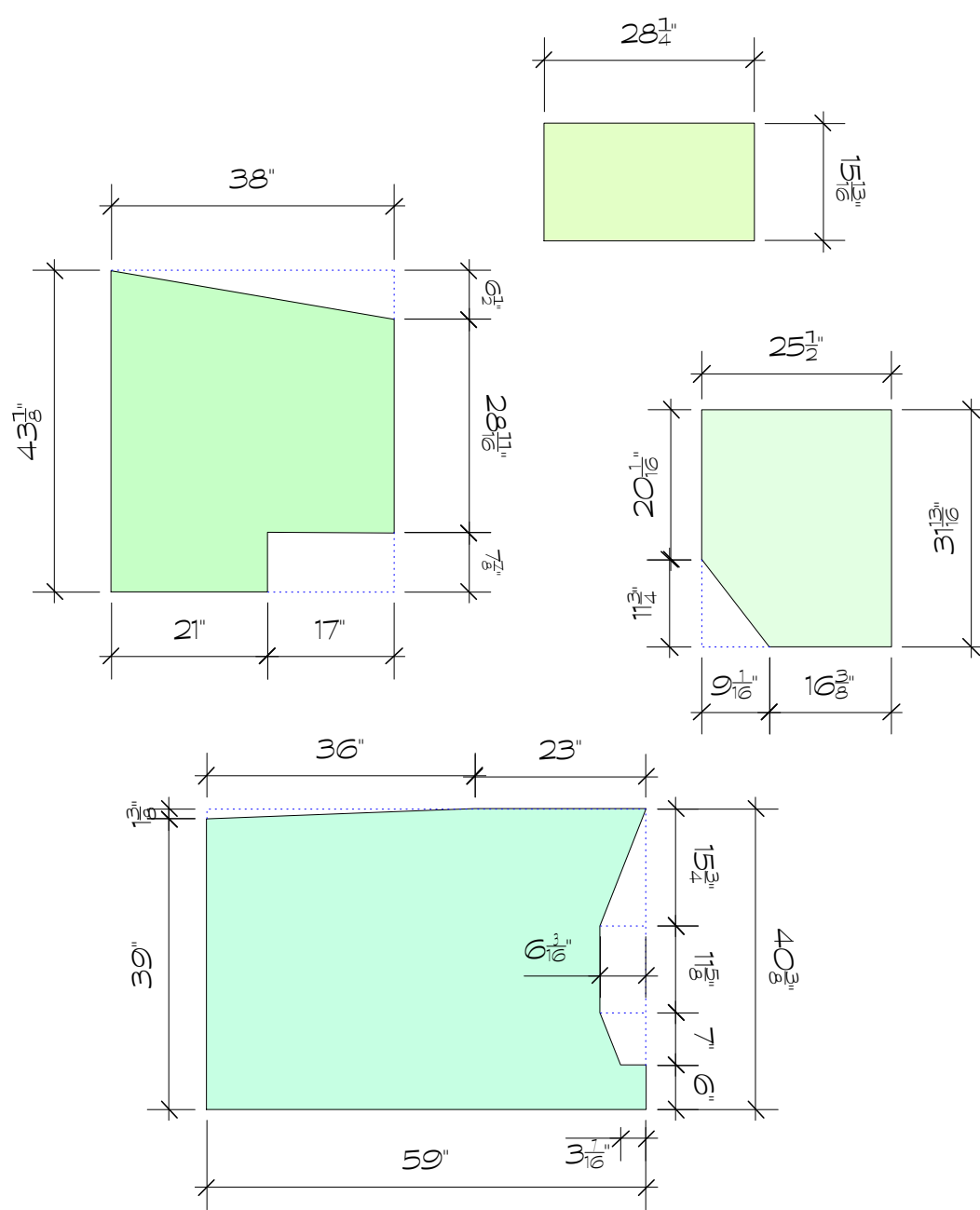
1 Truck Side Elevation
Scale: 1 = 1'-0"



3 Side View
Scale: 1 = 1'-0"

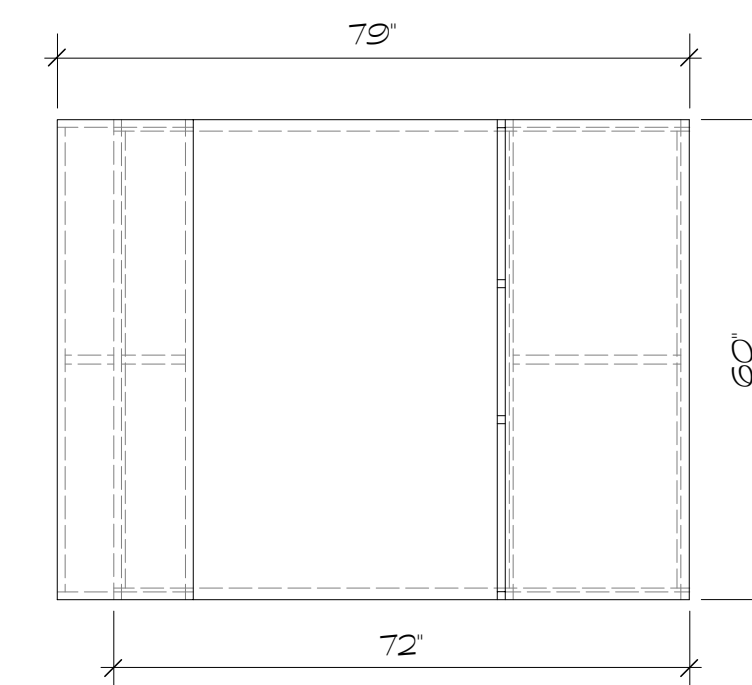


4 Truck Sheet Metal Iso
Scale: 1/2 = 1'-0"

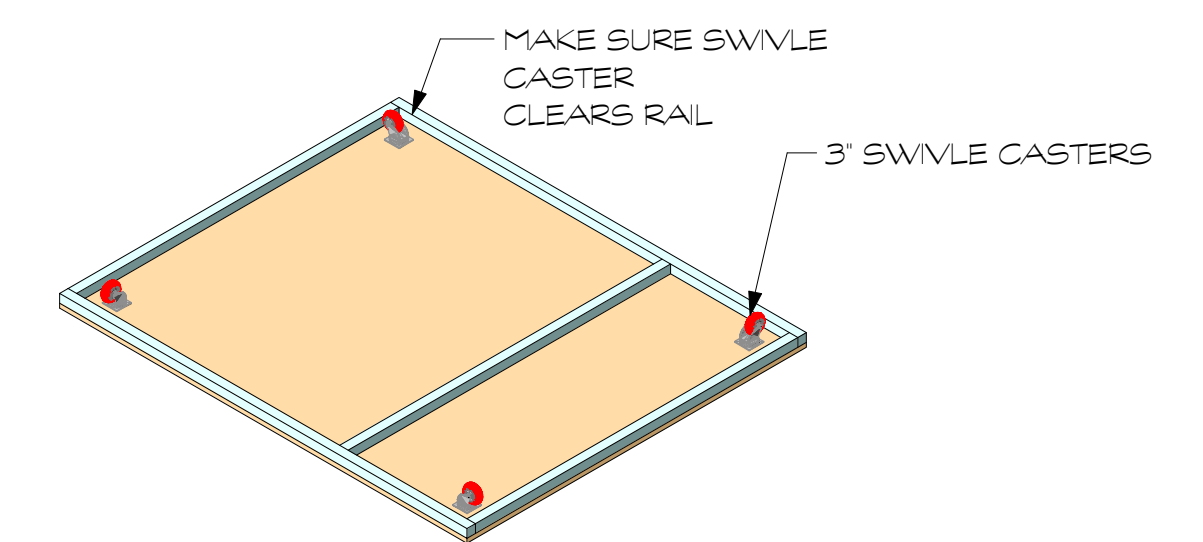


20 Gauge Sheet Metal

5 TRUCK SHEET METAL
Scale: 1/2 = 1'-0"

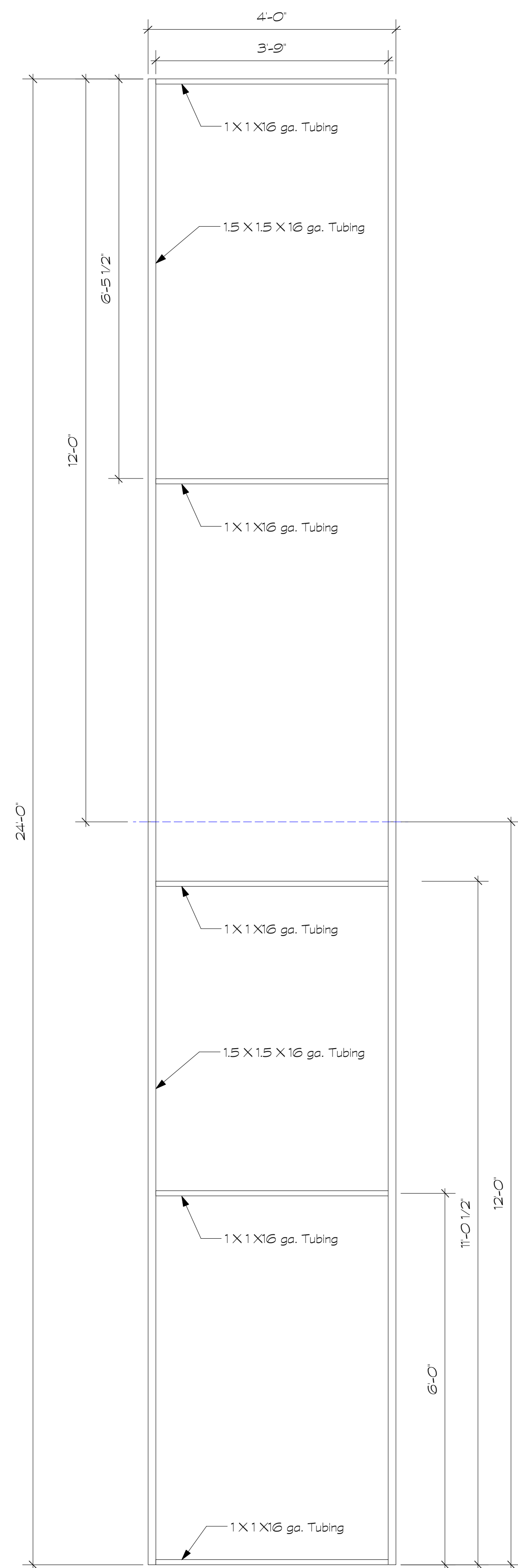


6 PLAN VIEW
Scale: 1/2 = 1'-0"

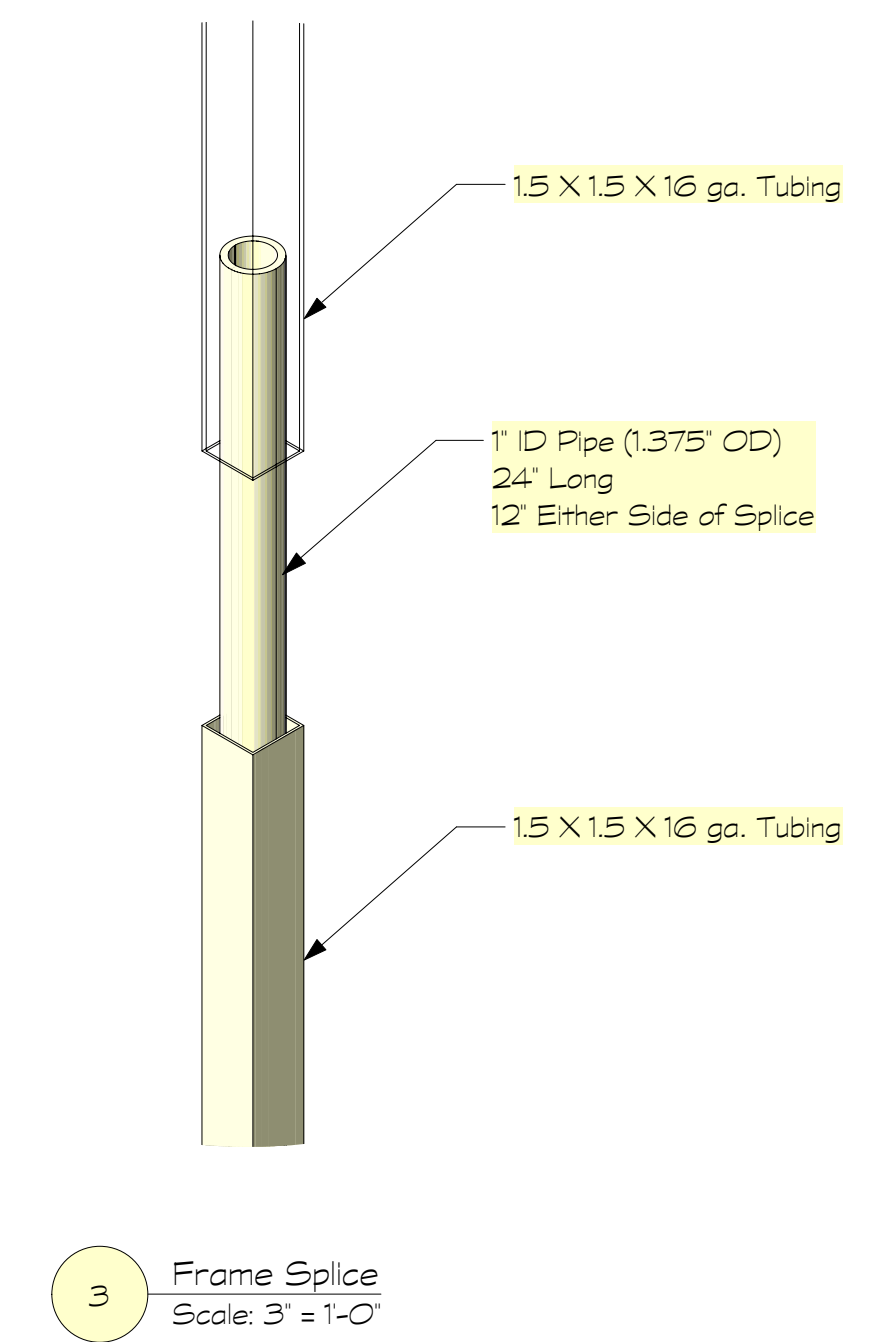
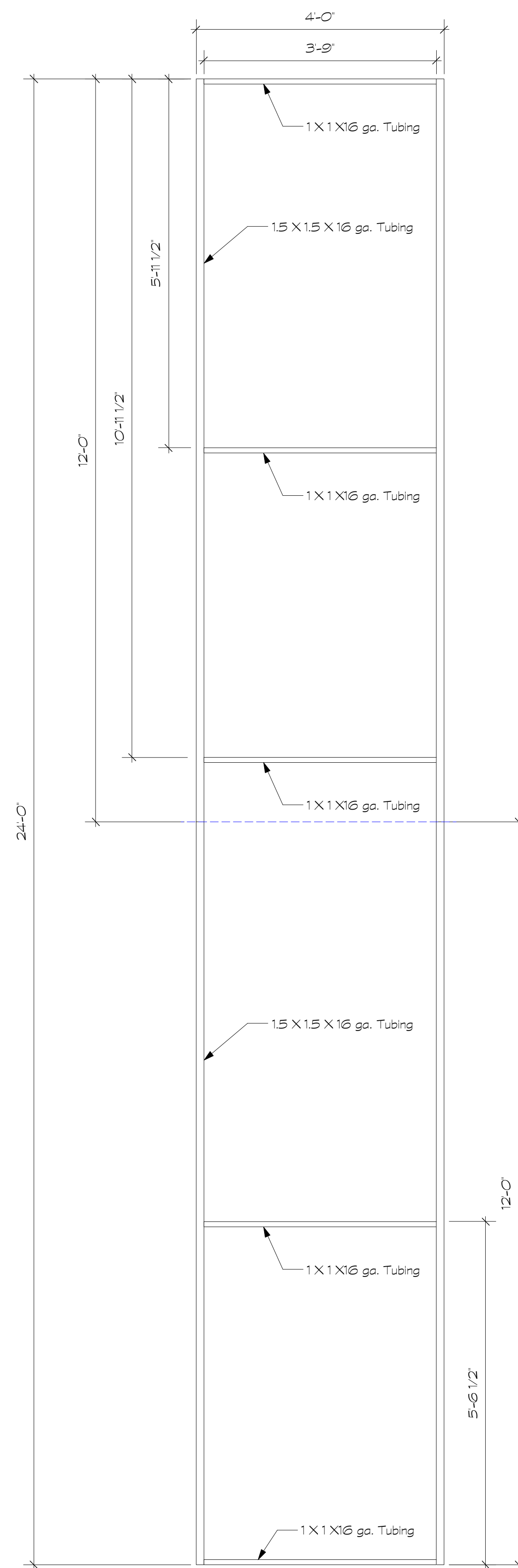


7 Up-Side Down Platform
Scale: 1/2 = 1'-0"

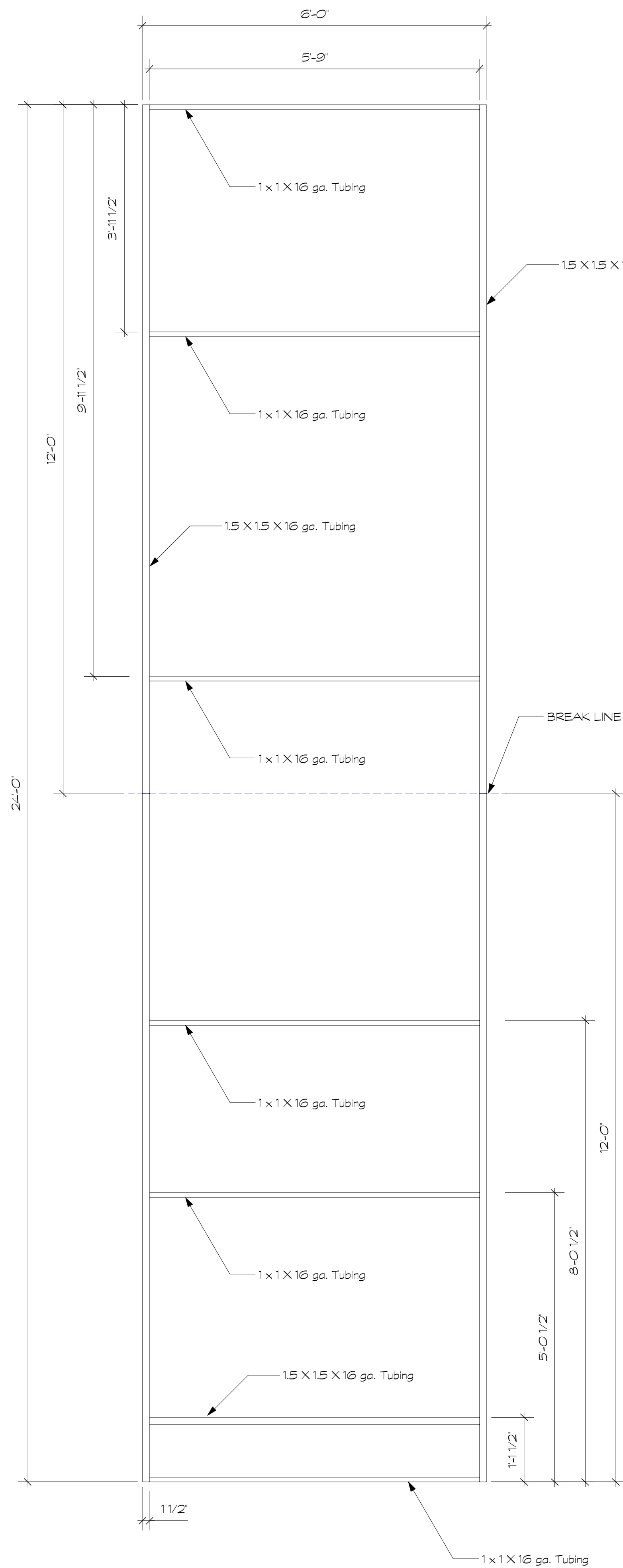
Show Name ANONYMOUS		
Reference Designer: Lily Guerin	Drawn By J Romeo	Date 10-15-13
CAD File Name Rev1 Bar and Truck.vwx /Sheet 2		



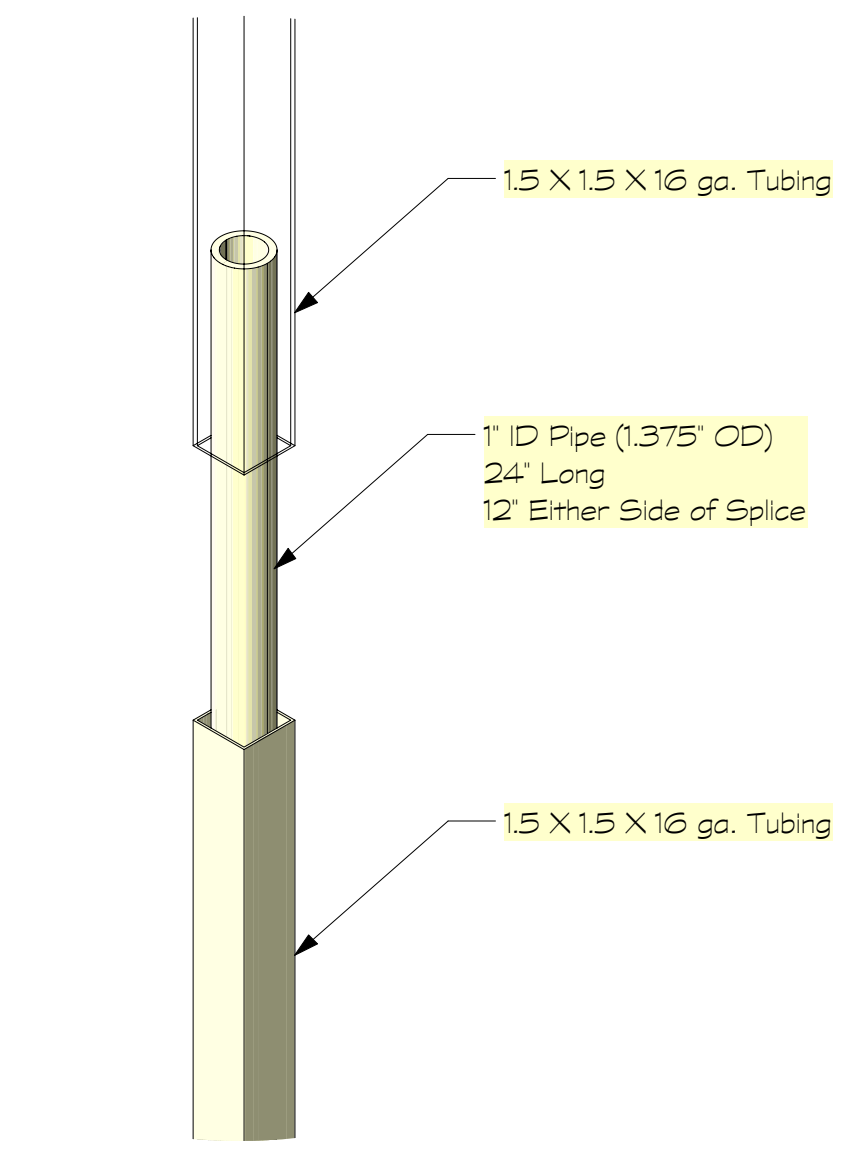
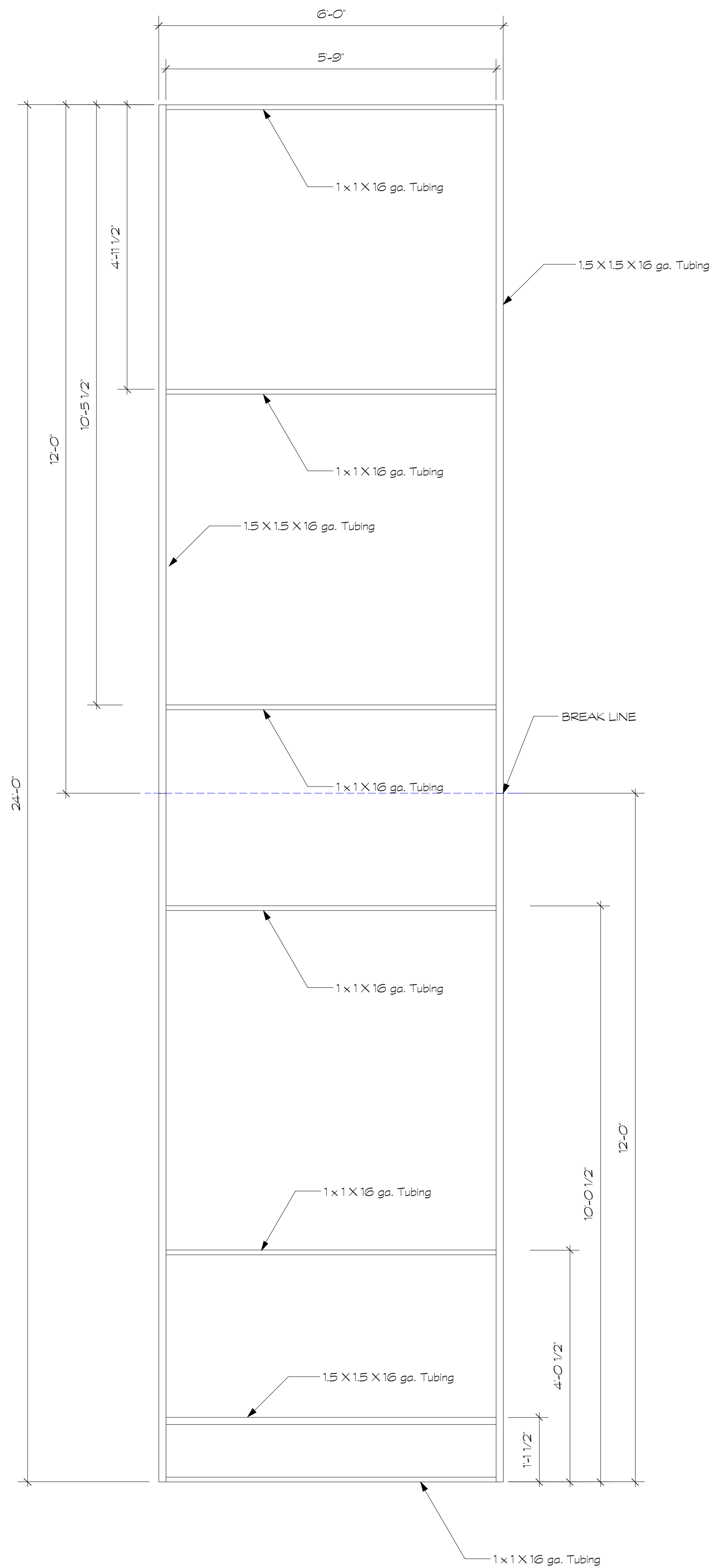
1 DS Panels
Scale: 3/4" = 1'-0"



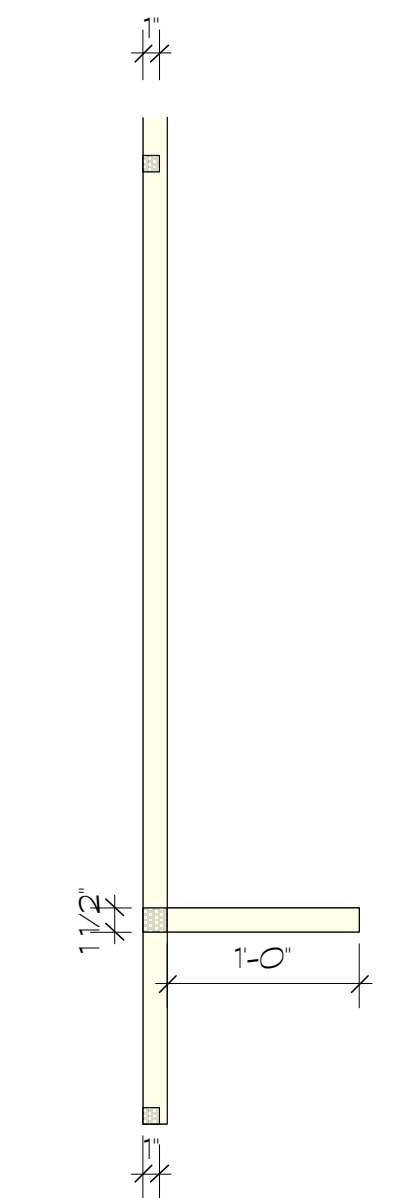
Show Name ANONYMOUS		
Reference	Drawn By	Date
Designer: Lily Guerin	J Romeo	10-8-13
CAD File Name Panels.vwx / Sheet 2		



1 UP Stage Panels Elevation
Scale: 3/4" = 1'-0"



3 Frame Splice
Scale: 3" = 1'-0"



2 Section Detail
Scale: 1" = 1'-0"

Show Name ANONYMOUS		
Reference Designer: Lily Guerin	Drawn By J Romeo	Date 10-8-13
CAD File Name Panels.vwx		