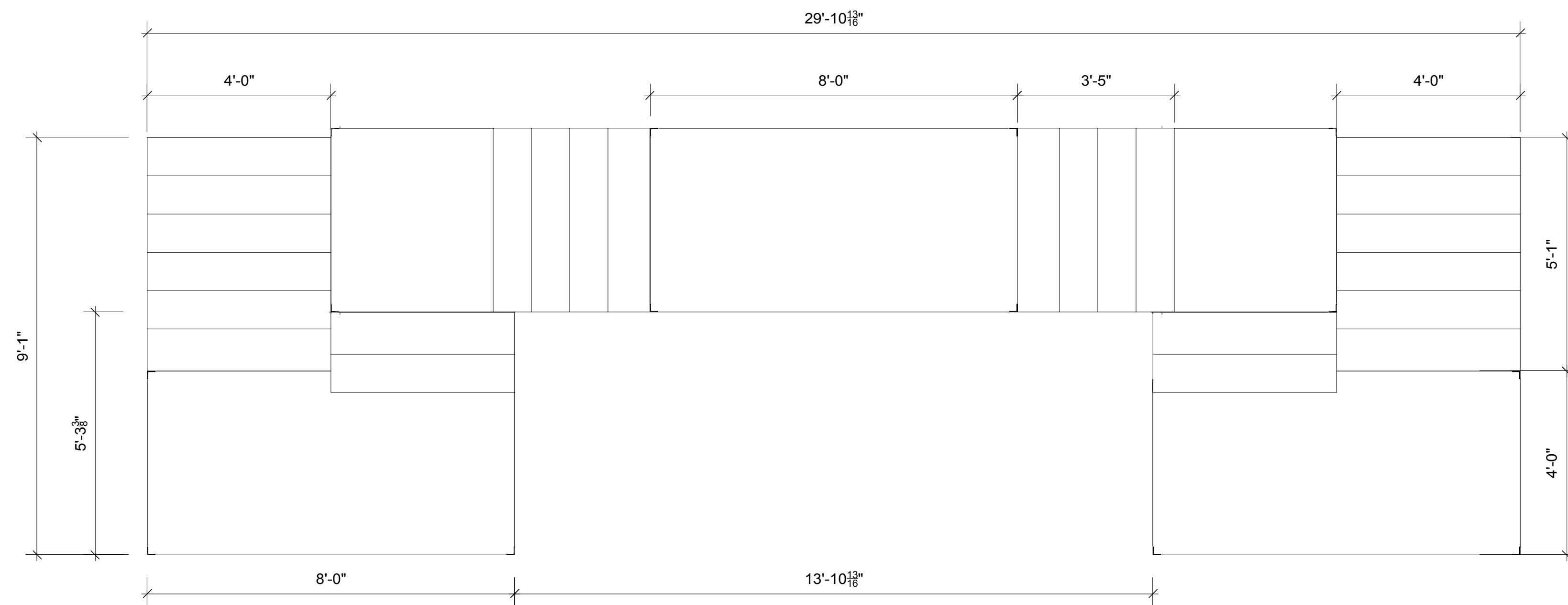
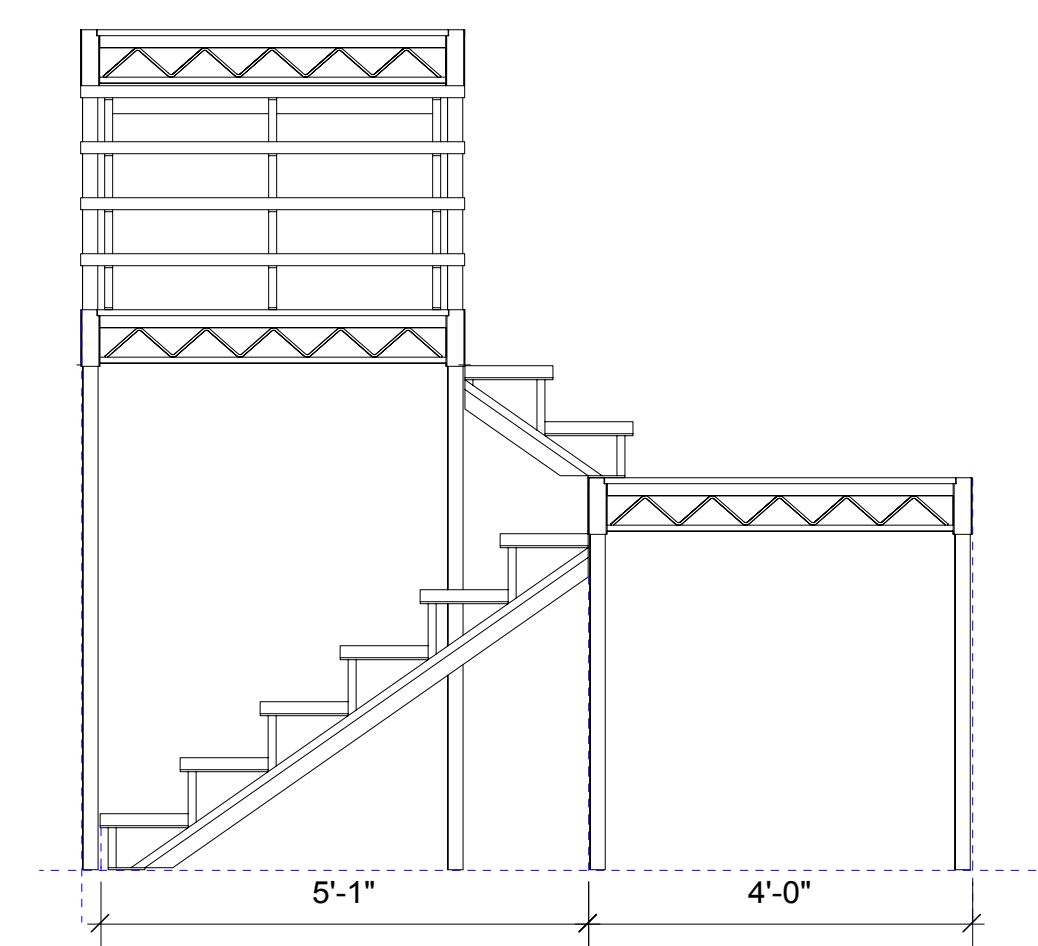


1 CAMERA View
Scale: 3/4" = 1'-0"

Show Name GUT GIRLS		
Reference Pge 3	Drawn By J Romeo, PG	Date 11/11/2012
CAD File Name 6-Step-Unit_JR.vwx		

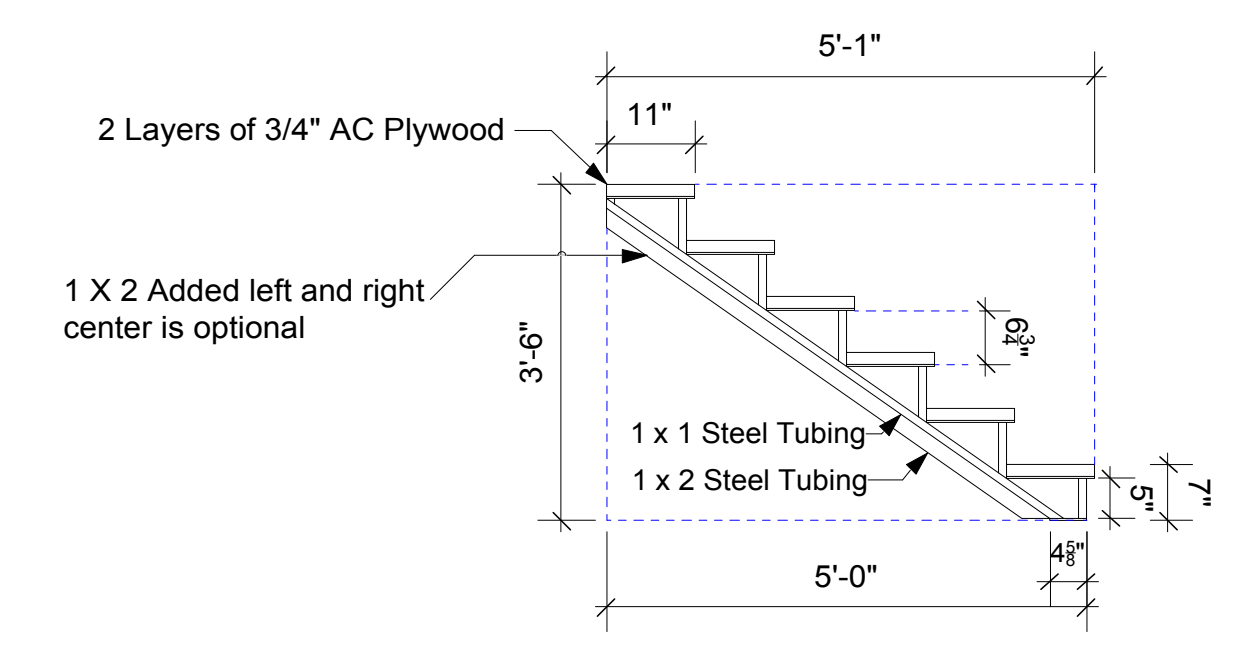


1 Plan View
Scale: 1/2" = 1'-0"

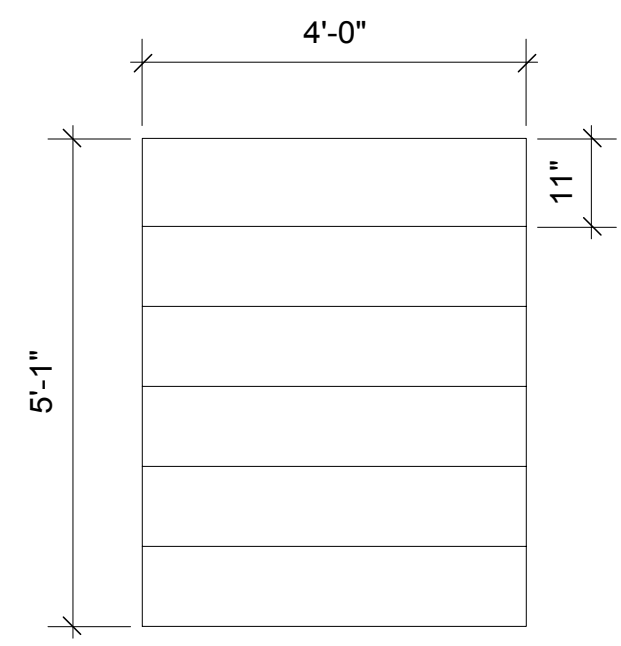


3 Side View
Scale: 1/2" = 1'-0"

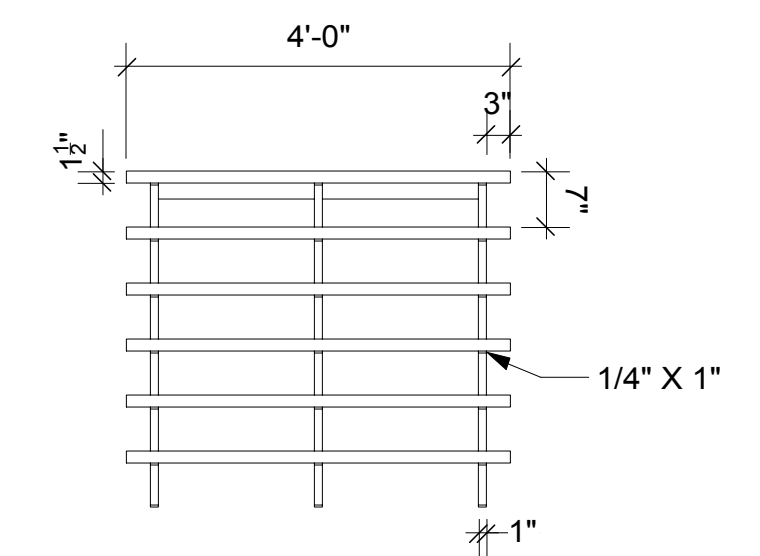
- General Notes**
1. Dimension of 2 & 4 Step Units are the same as shown in the 6 Step Unit
 2. Stair Tread 3/4" AC Arco Plywood
 3. Treads bolted to 1/4" x 1" Steel with 1/4-20 Flathead stove bolts
 4. 1 X 2 Steel added left and Right in existing 6 step units (optional to add to center the center)
 5. 1/4 X 1" Steel Tread support



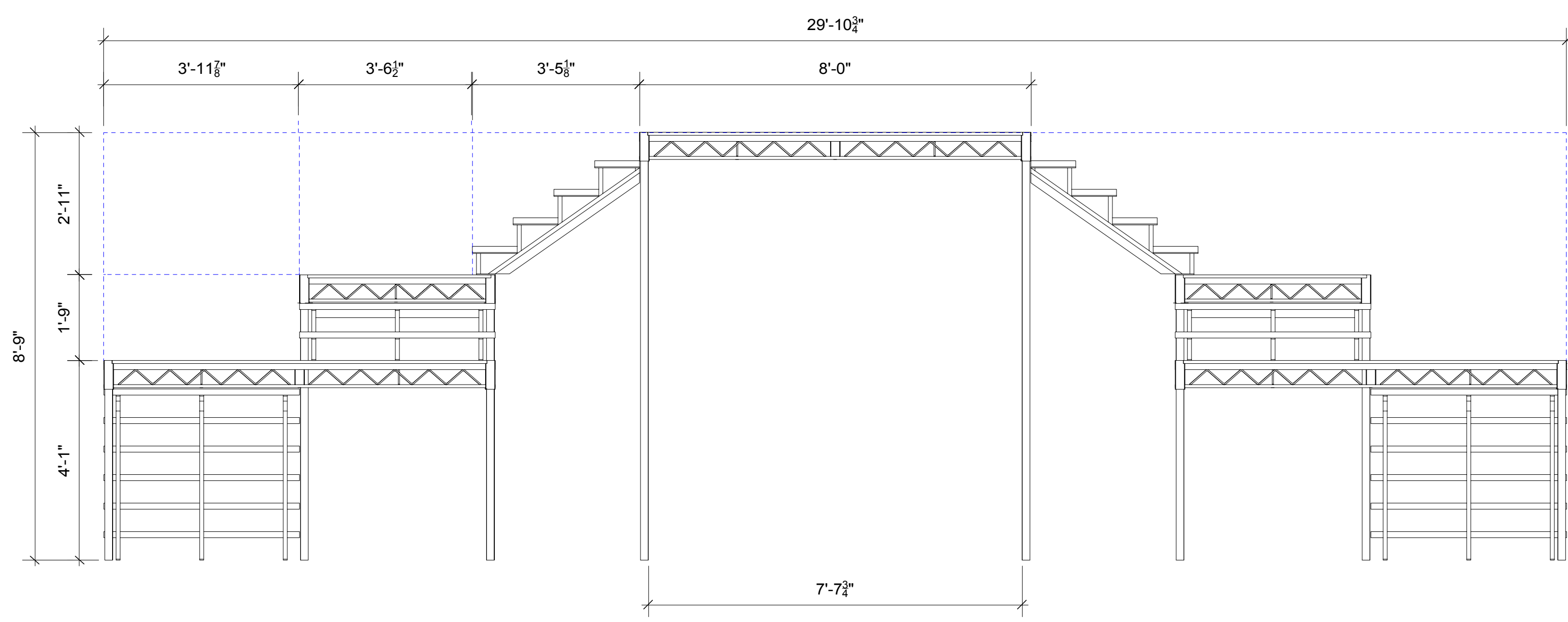
4 6 Step Unit Side View
Scale: 1/2" = 1'-0"



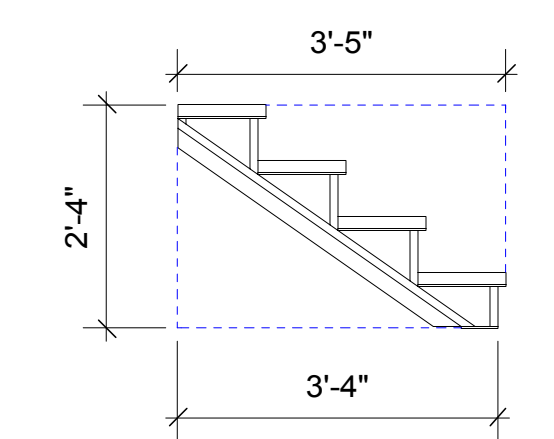
5 6 Step Unit Plan View
Scale: 1/2" = 1'-0"



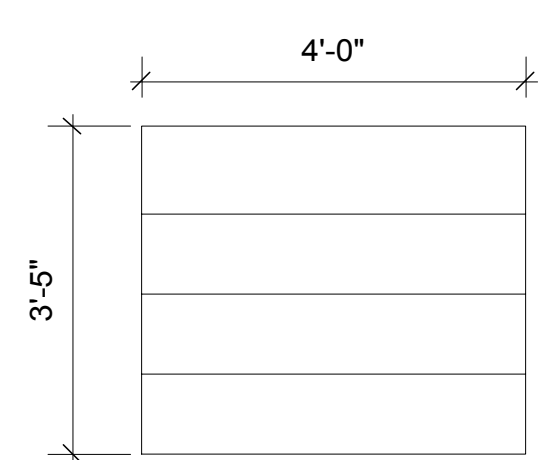
6 6 Step Unit Front View
Scale: 1/2" = 1'-0"



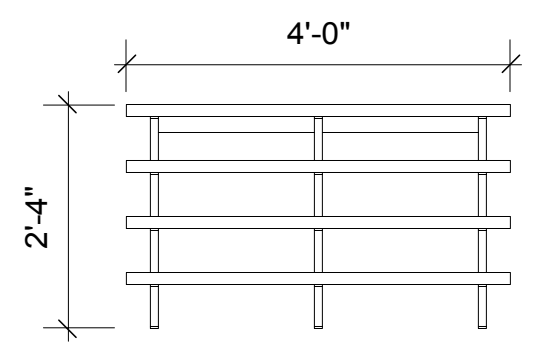
2 Front Elevation
Scale: 1/2" = 1'-0"



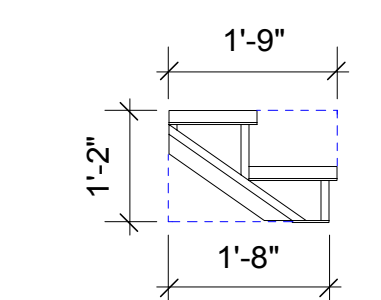
7 4 Step Unit Side View
Scale: 1/2" = 1'-0"



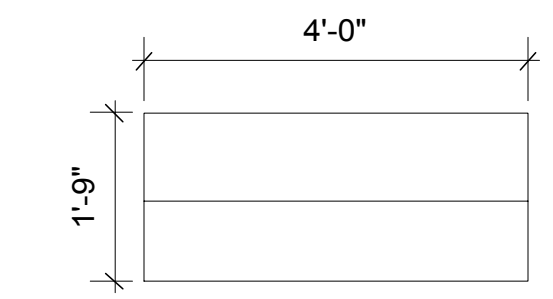
8 4 Step Unit Plan View
Scale: 1/2" = 1'-0"



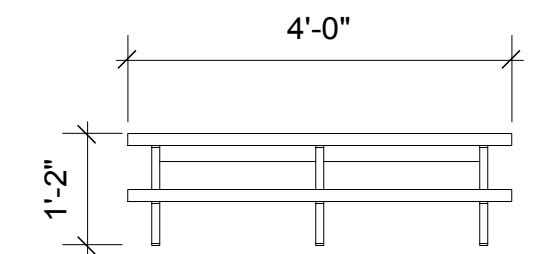
9 4 Step Unit Front View
Scale: 1/2" = 1'-0"



10 2 Step Unit Side View
Scale: 1/2" = 1'-0"

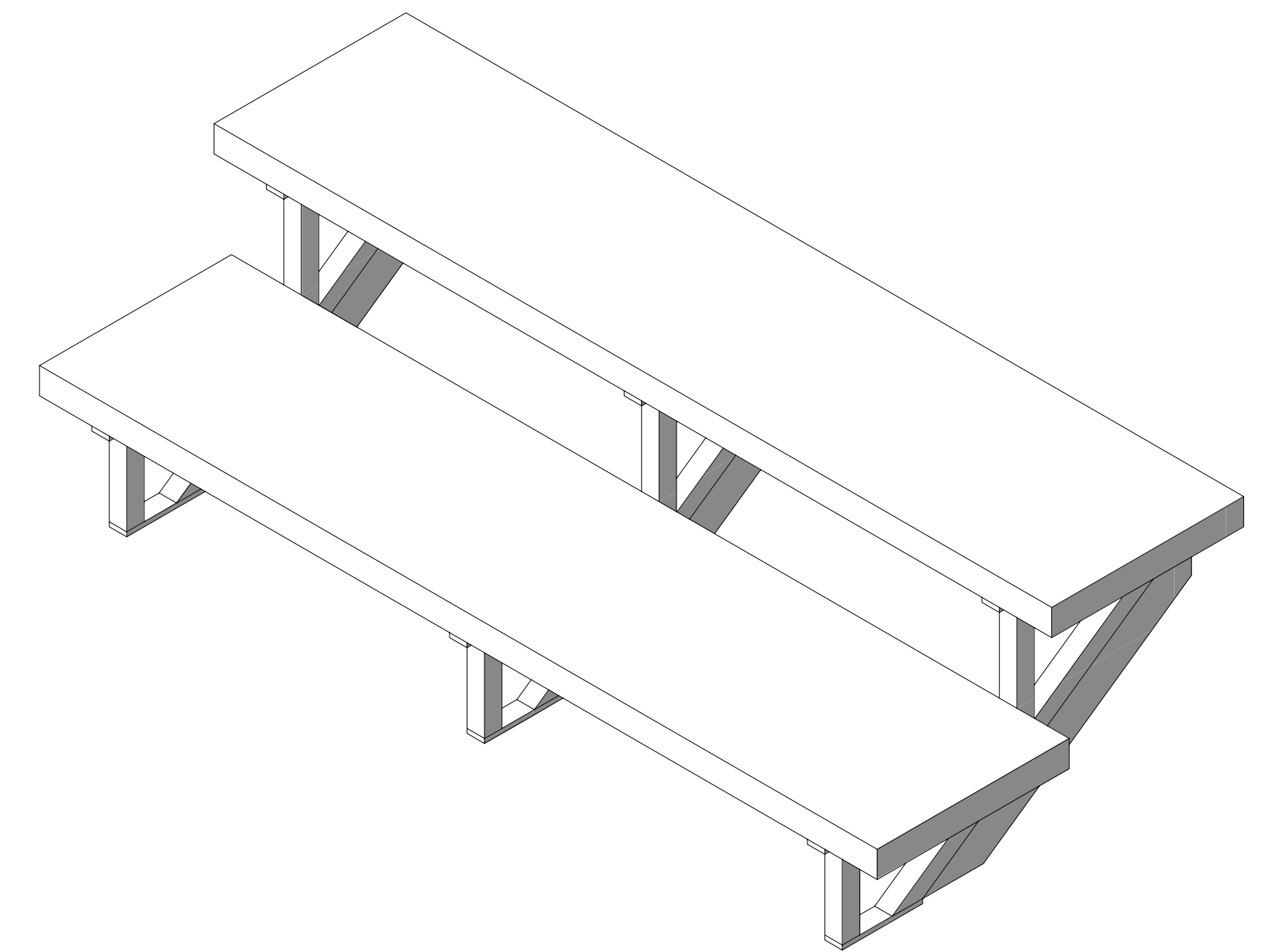
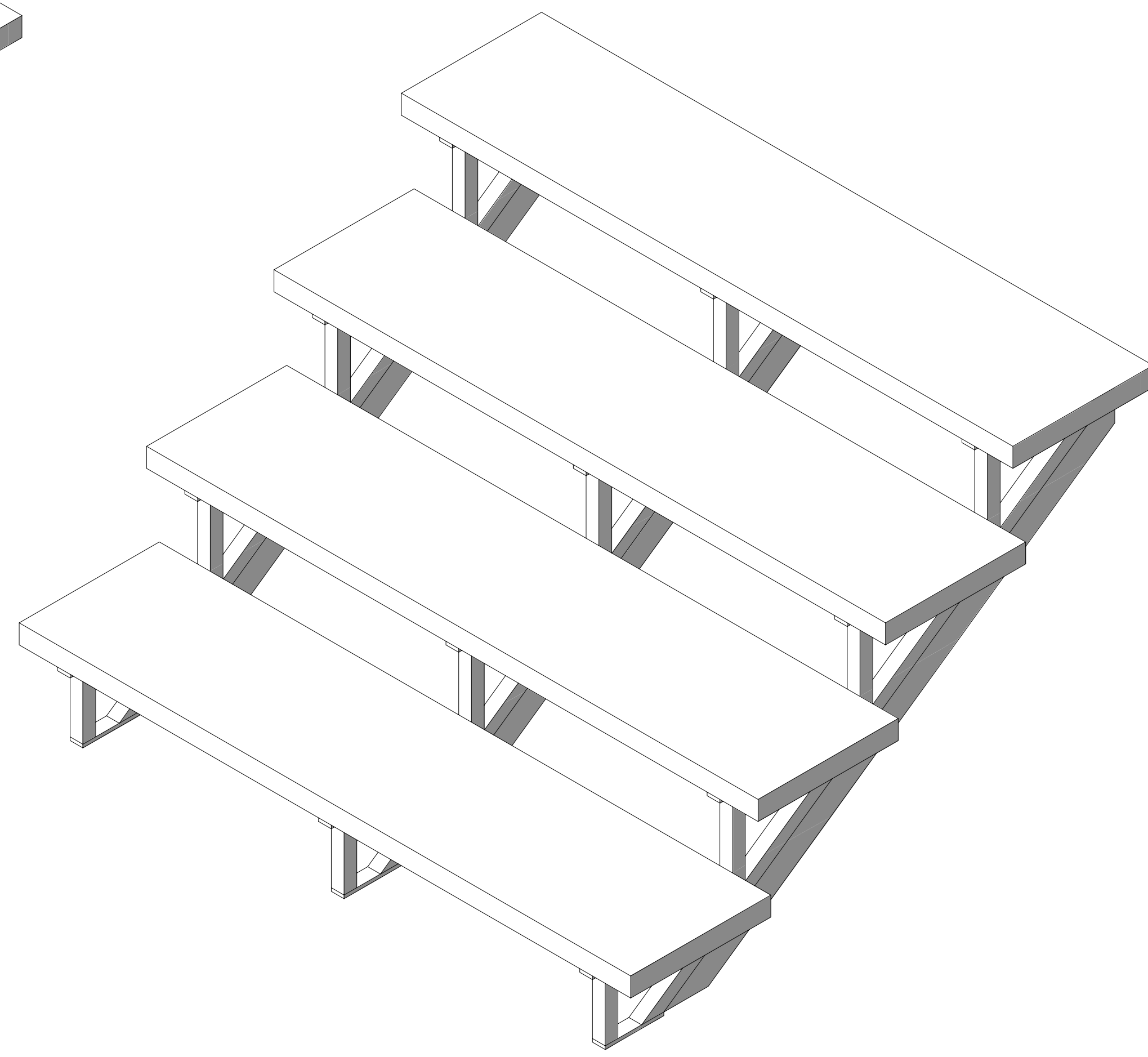
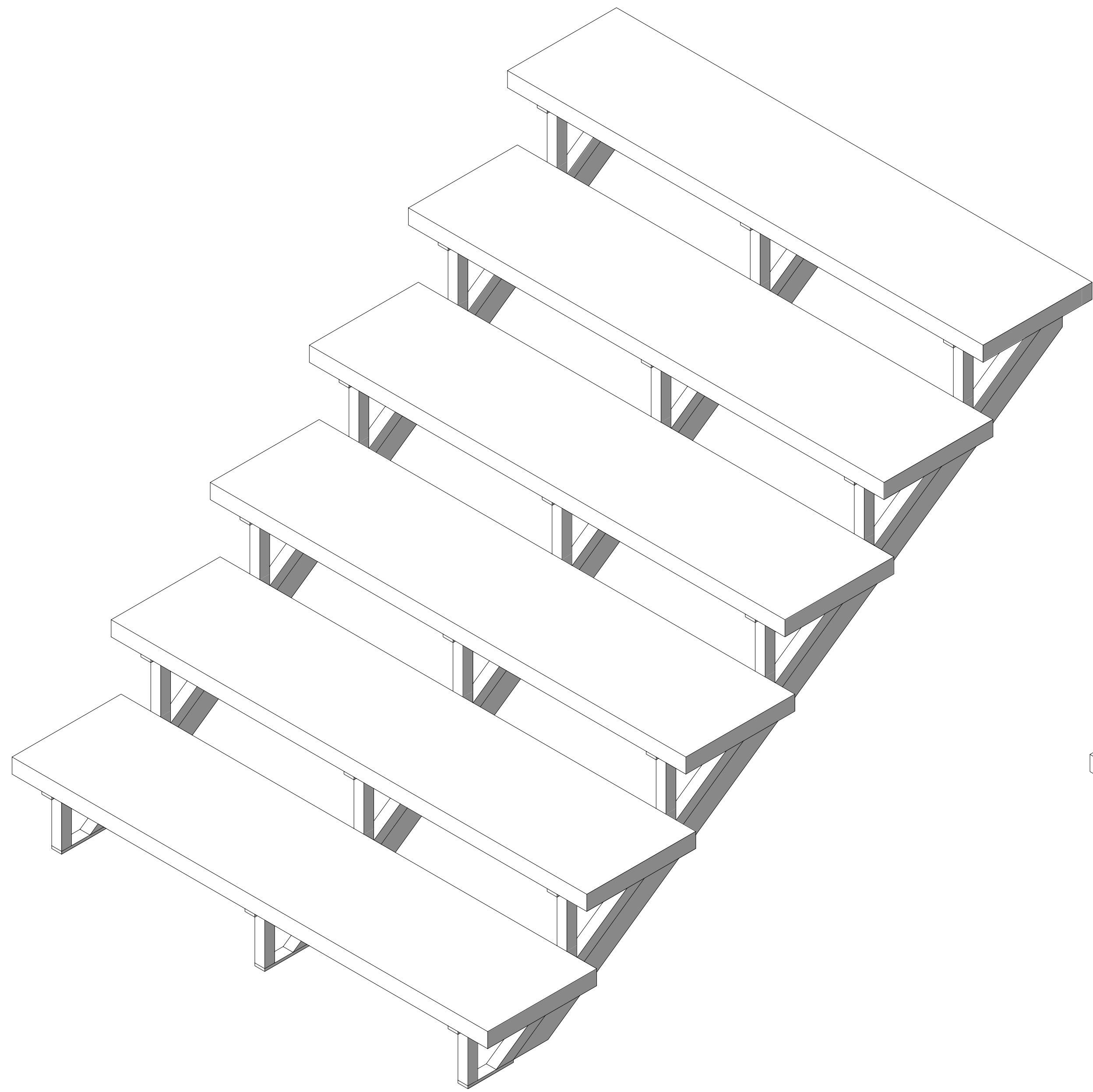


11 2 Step Unit Plan View
Scale: 1/2" = 1'-0"



12 2 Step Unit Front View
Scale: 1/2" = 1'-0"

Show Name GUT GIRLS		
Reference Reference	Drawn By J Romeo, PG	Date 11/11/2012
CAD File Name 6-Step-Unit_JR.vwx		



Show Name		
GUT GIRLS		
Reference	Drawn By	Date
Pge 2	J Romeo, PG	11/11/2012
CAD File Name		
6-Step-Unit_JR.vwx		