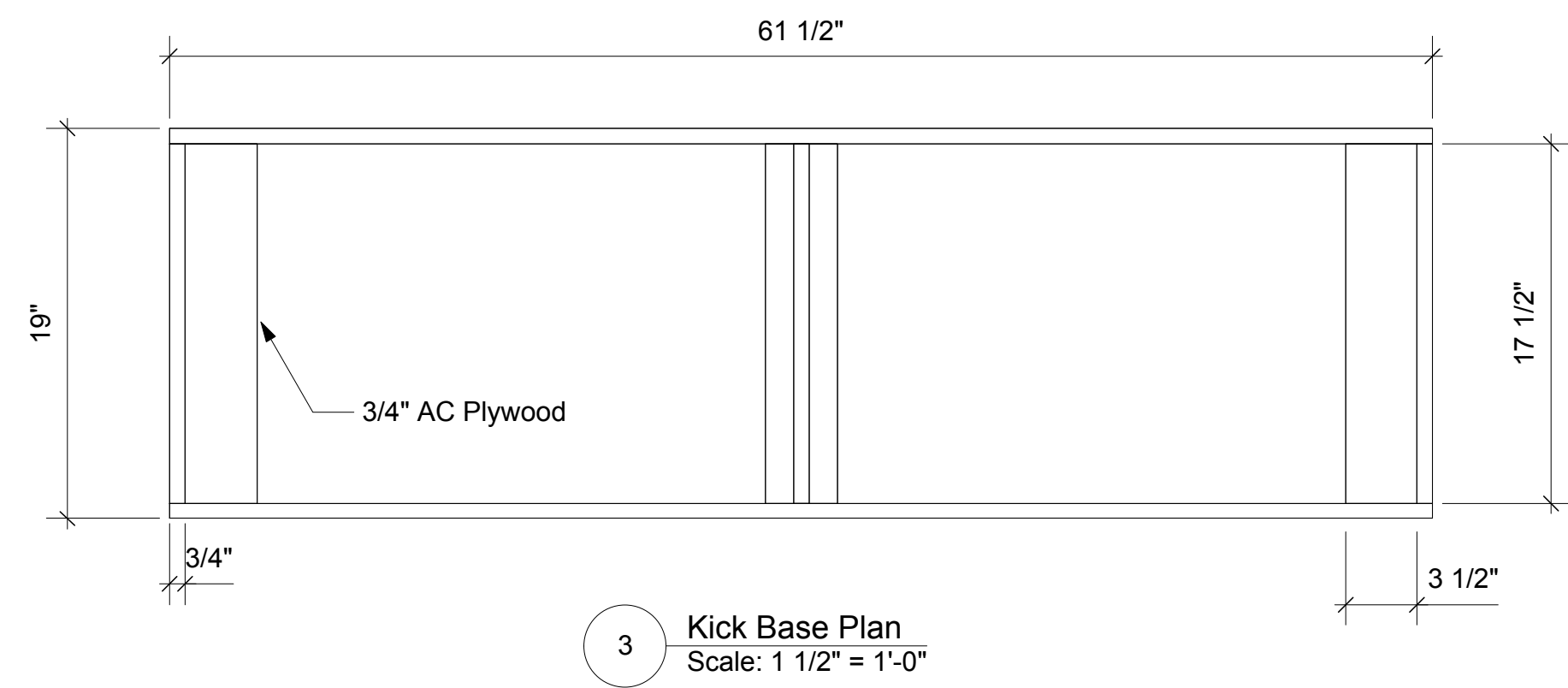
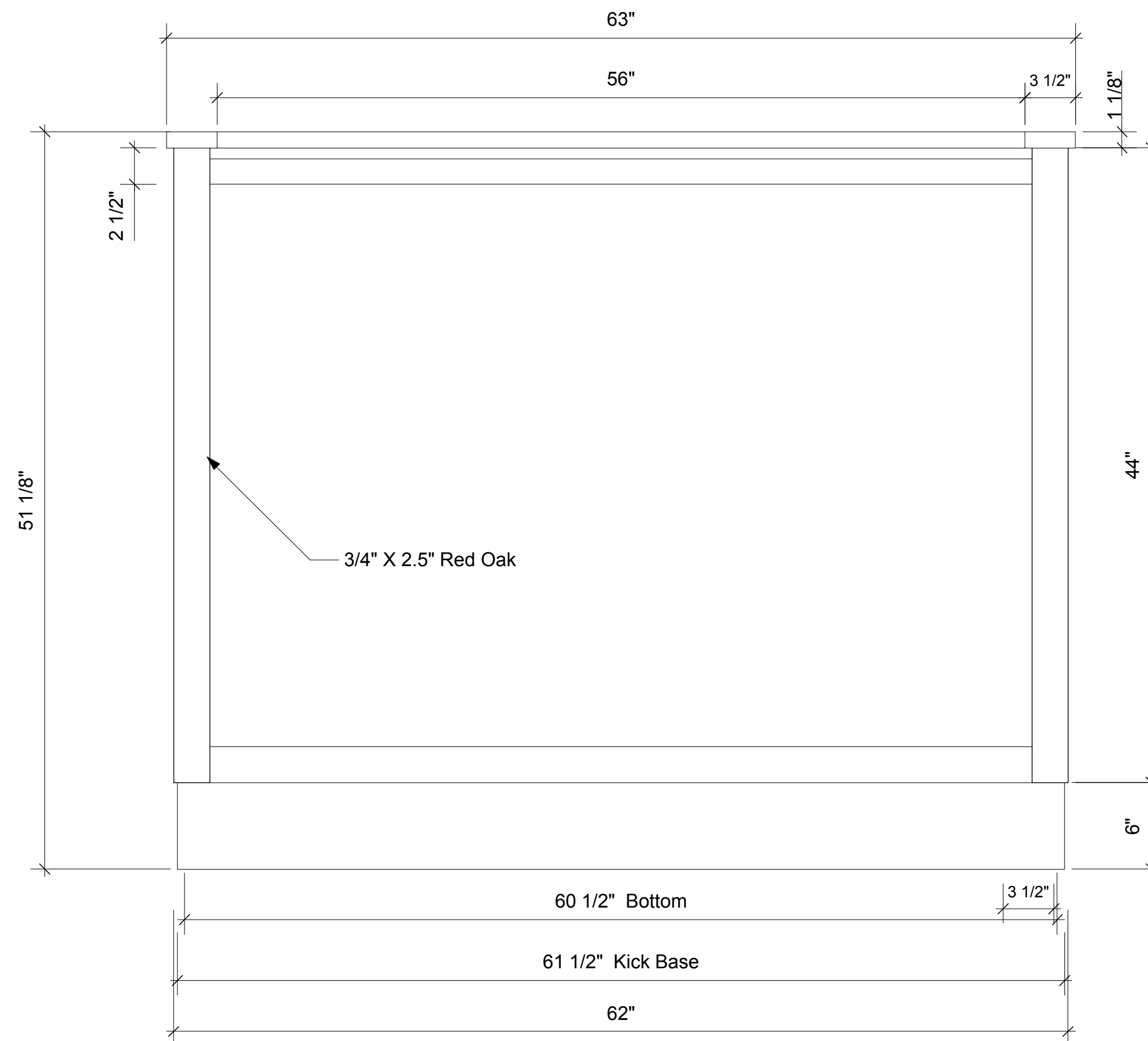
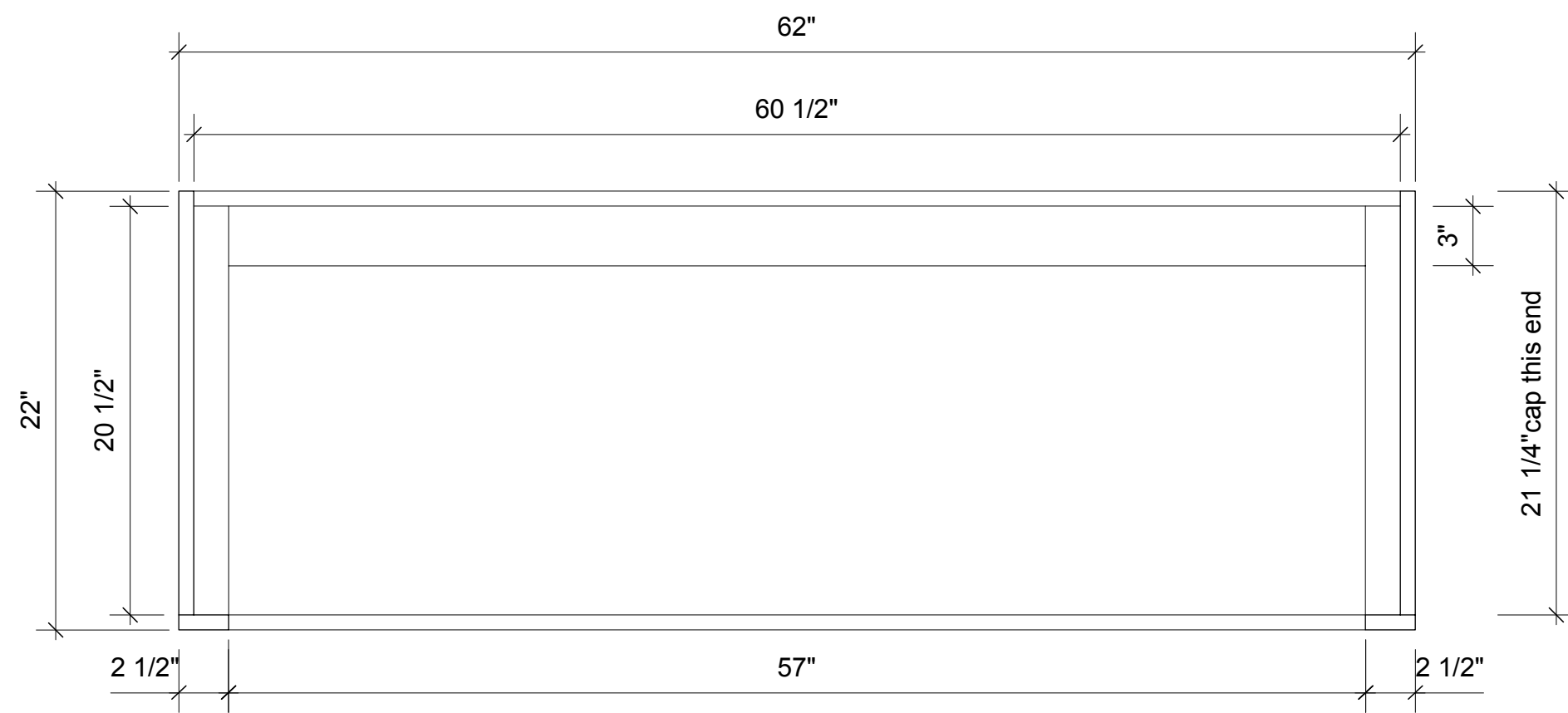
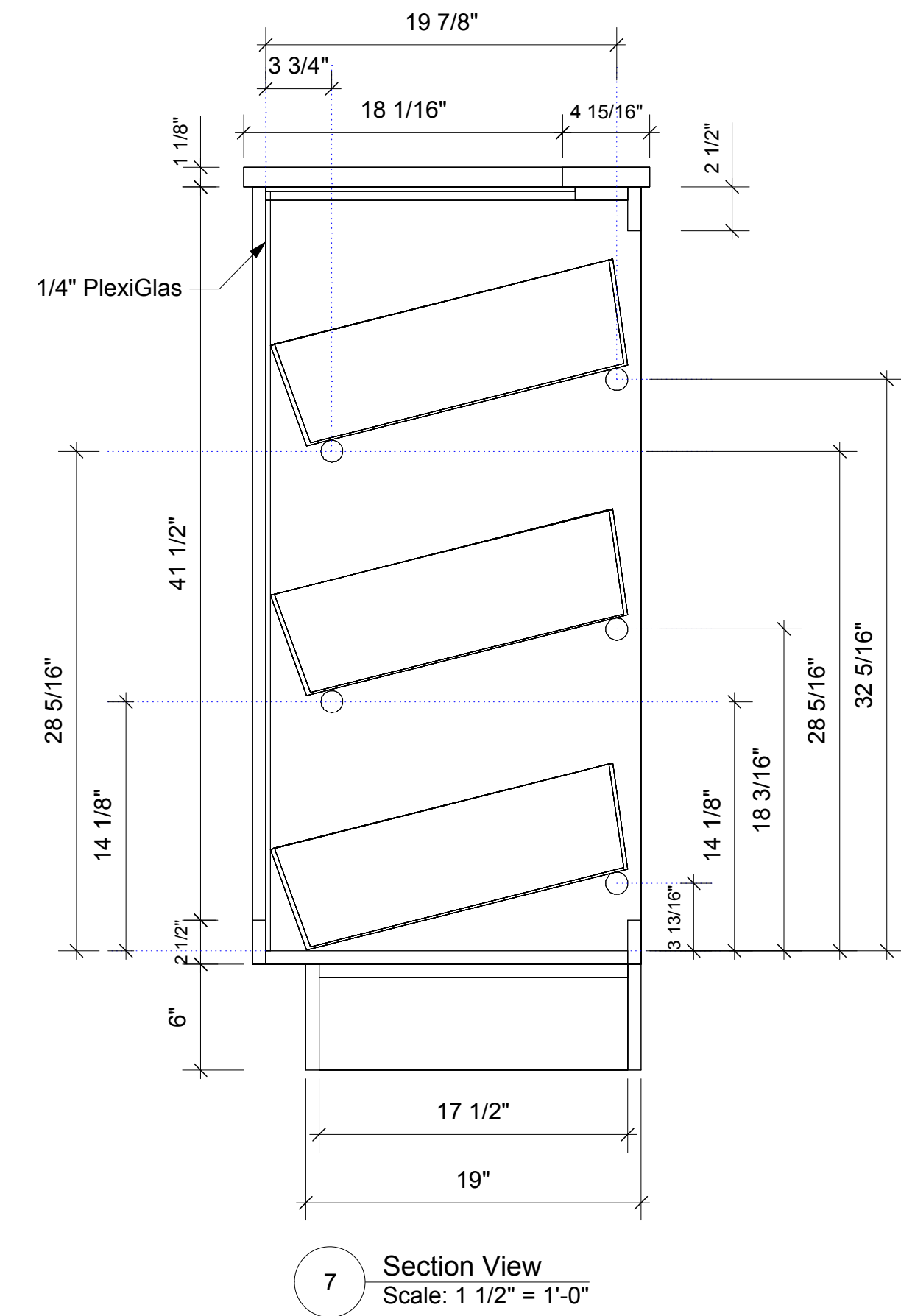
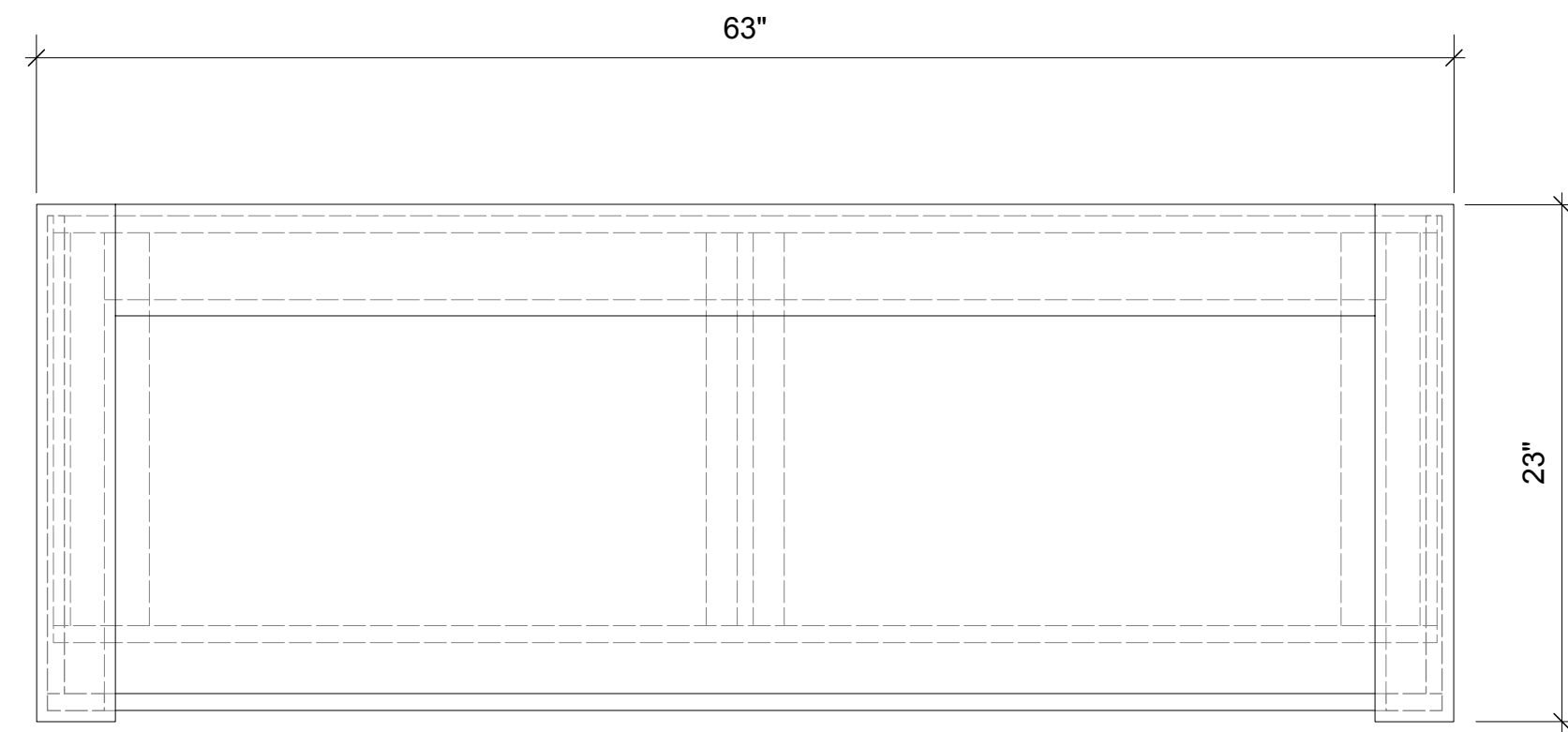
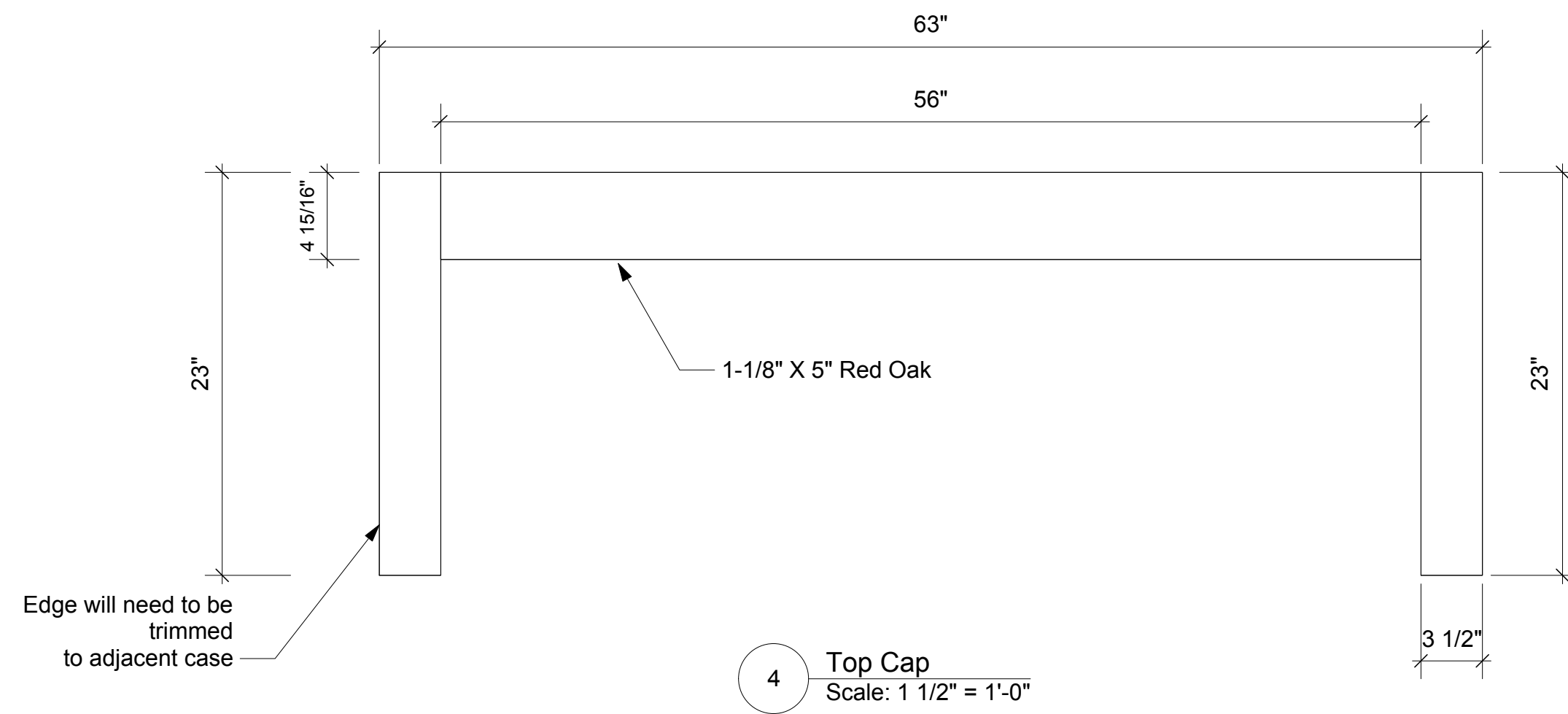




1 BAGEL DISPLAY
Scale: 1 1/2" = 1'-0"



General Notes

1. Top Cap is 5/4 X 3" nom. Red Oak
2. Sides and Bottom Plain Sliced Red Oak
3. Base 3/4" Ac Plywood; Cover with Black Vinyl Cove Base
4. 1/4" Clear PlexiGlas Front and Top
5. Bin Supports 1" chrome pipe
6. BINS supplied by others
7. Face Frame 1x3 nom. Red Oak

Project
NOSH PIT

Location
Location

JOHN ROMEO DESIGN

JOHN ROMEO
21 Sebastian Court
Hopewell Junction, NY 12533
914-456-9387
Email: romeostudio@me.com

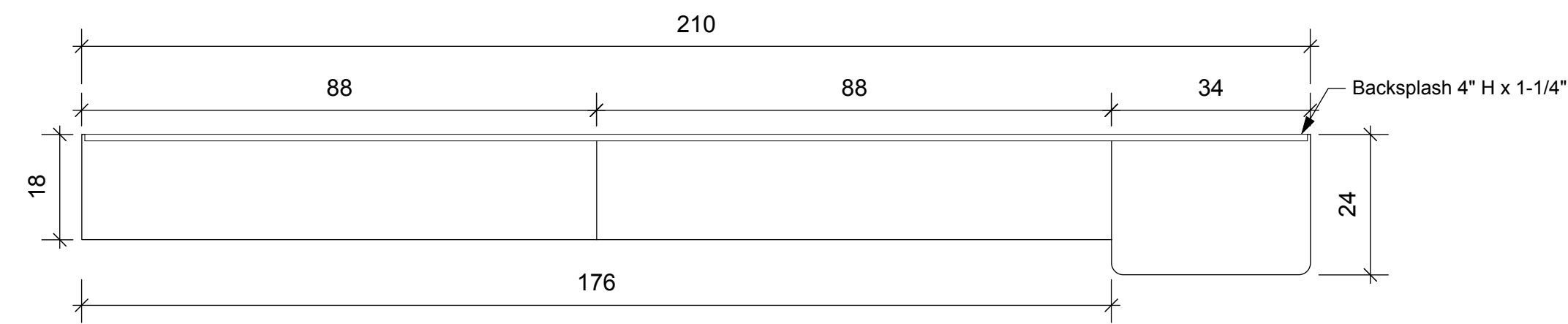
Drawn	John Romeo
Scale	As Shown
Date	3/20/2013

DRAWING NUMBER
2

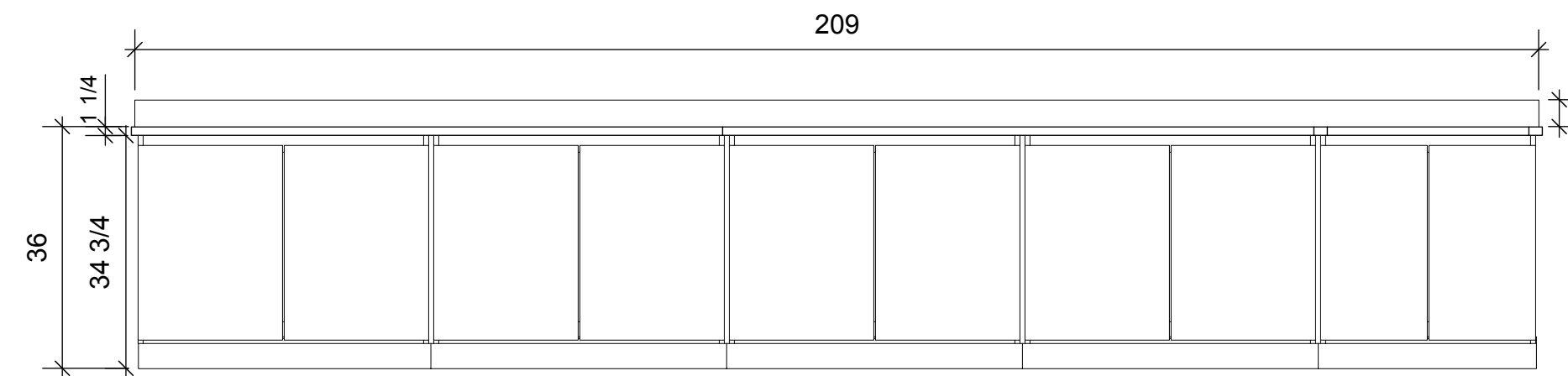
APPROVED BY
JR



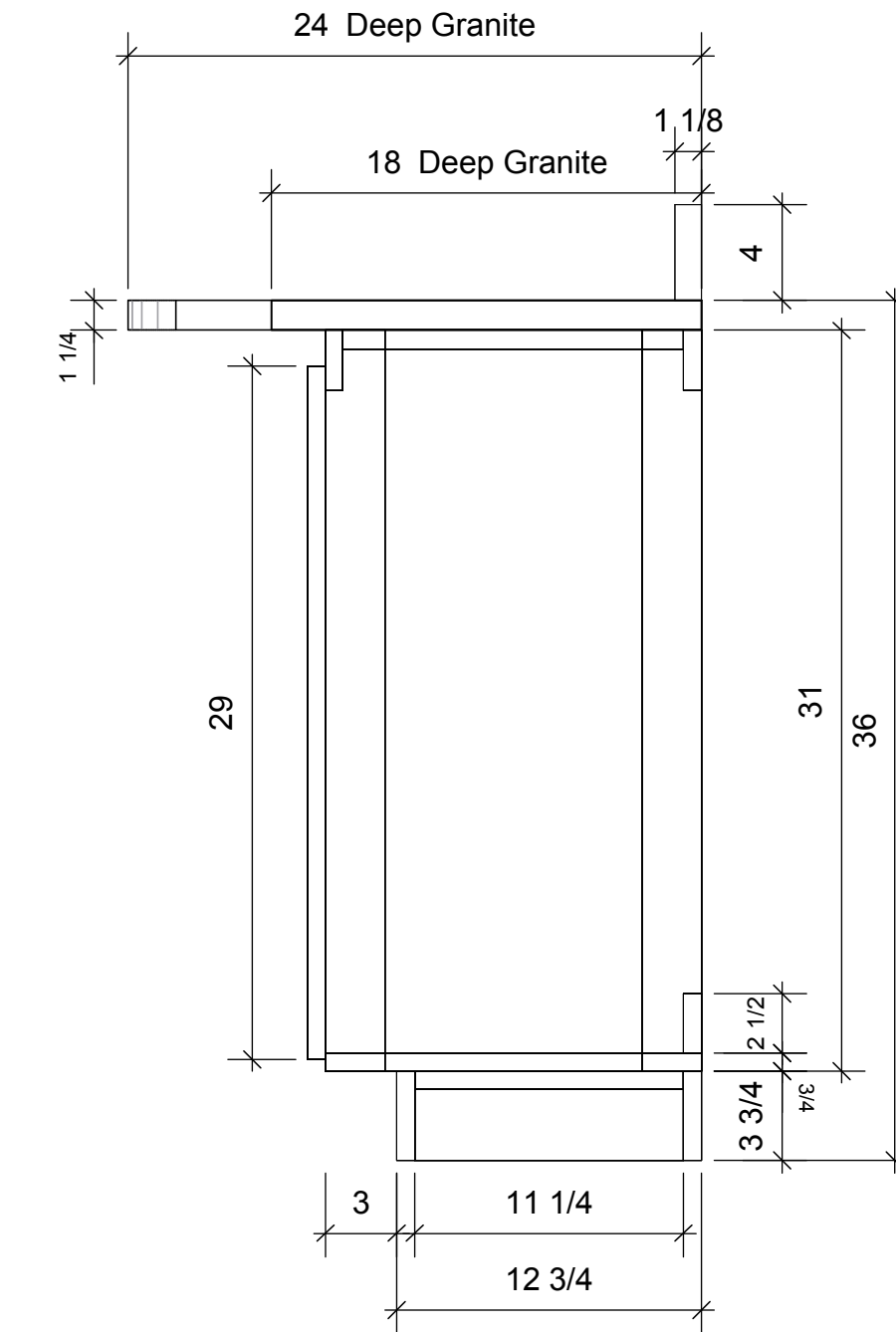
1 Back Counter Unit Isometric
Scale: 1/2" = 1'-0"



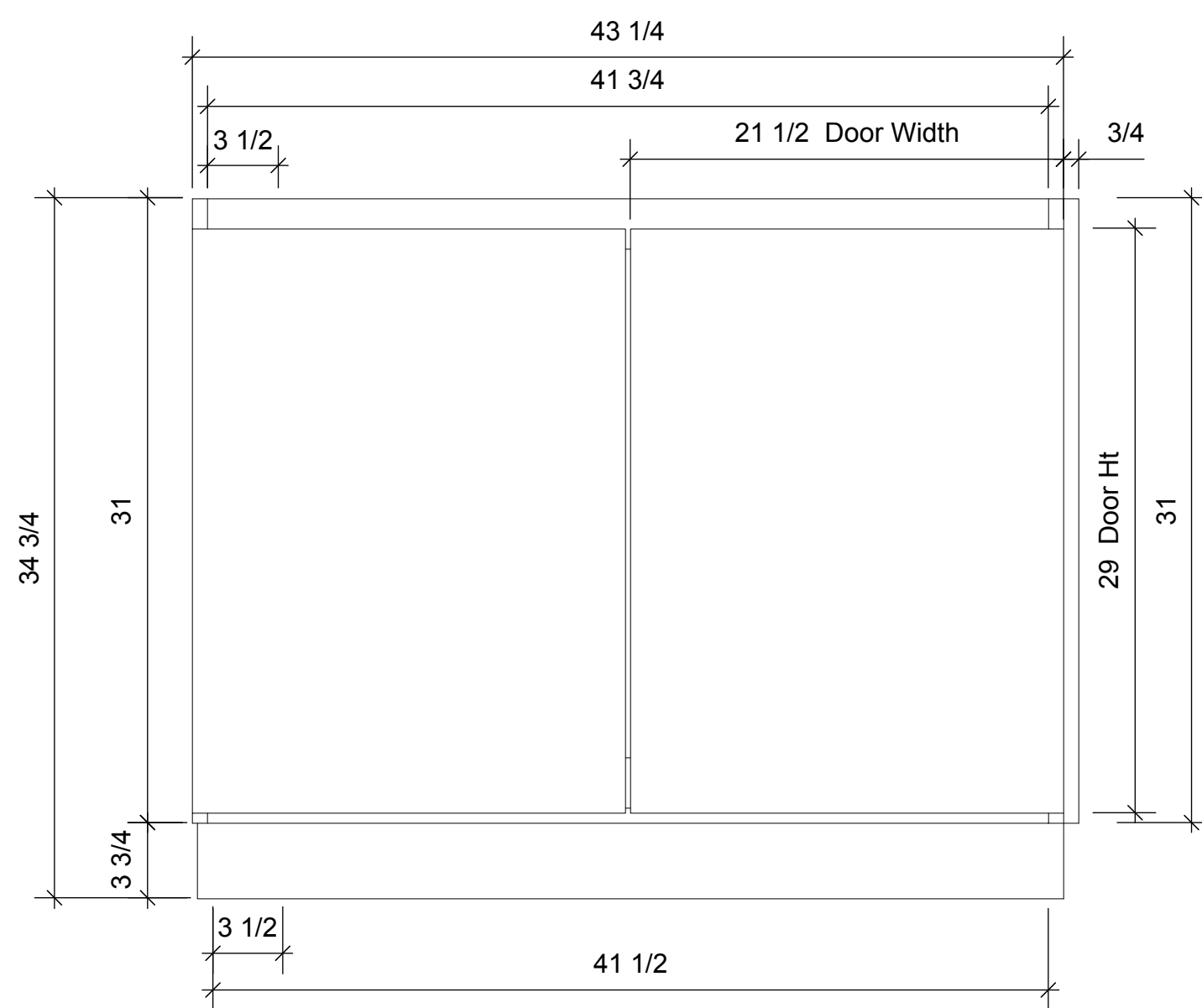
6 Back Granite Counter
Scale: 1/2" = 1'-0"



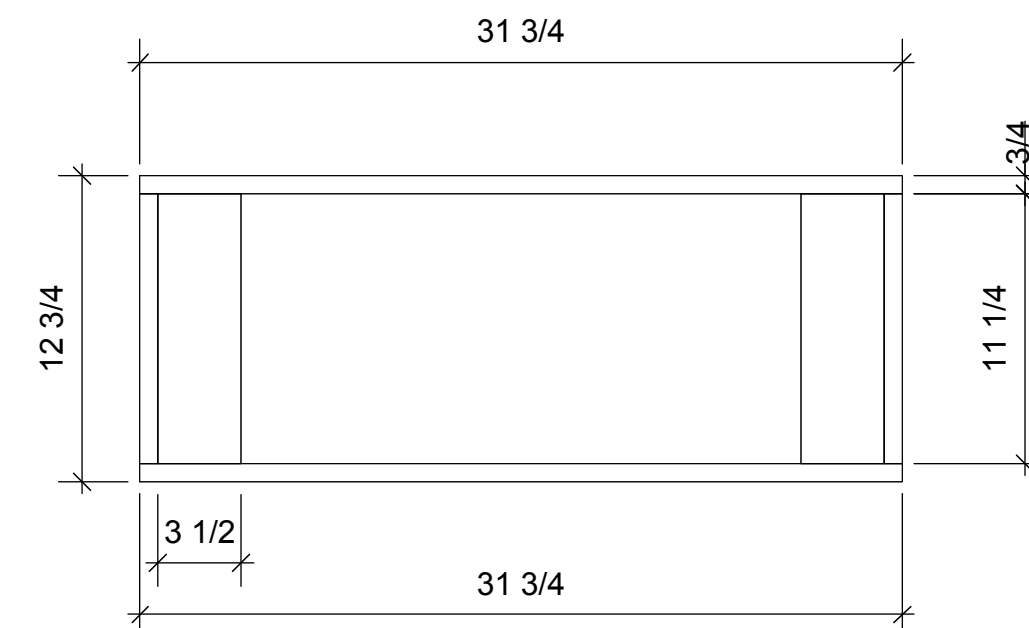
5 ELEVATION
Scale: 1/2" = 1'-0"



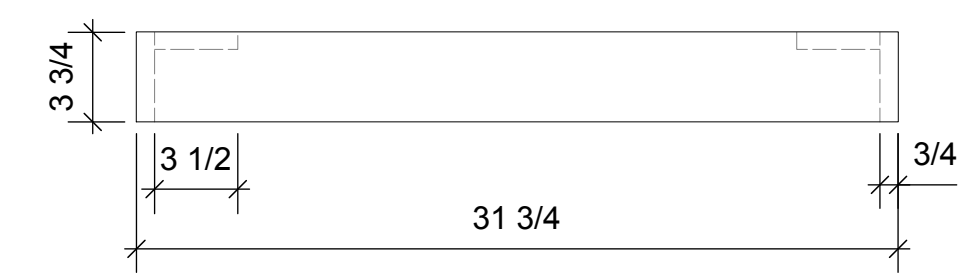
12 Section CABINET A & B
Scale: 1 1/2" = 1'-0"



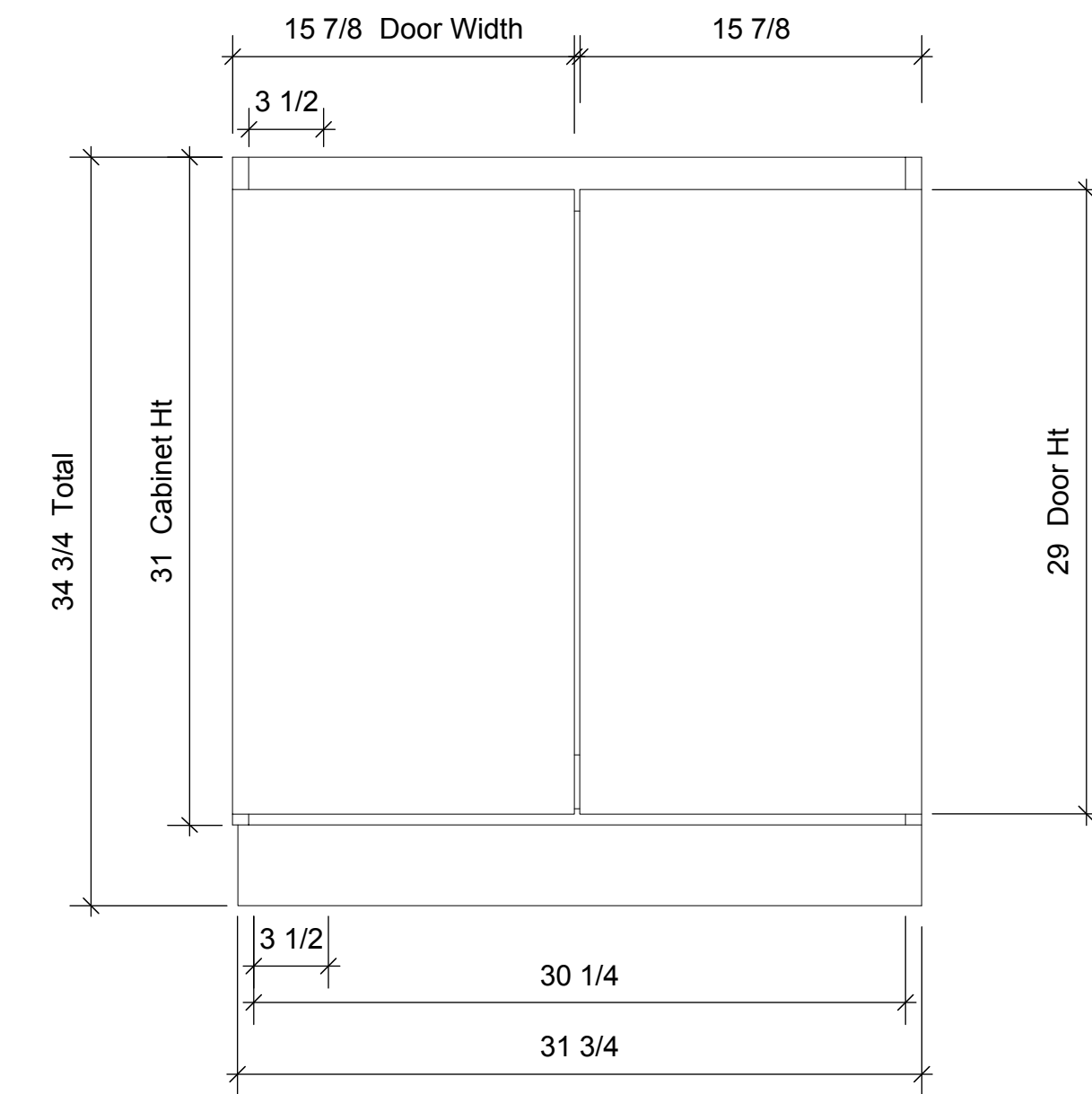
3 Front Elevation Back Cabinet Unit
Scale: 1 1/2" = 1'-0"



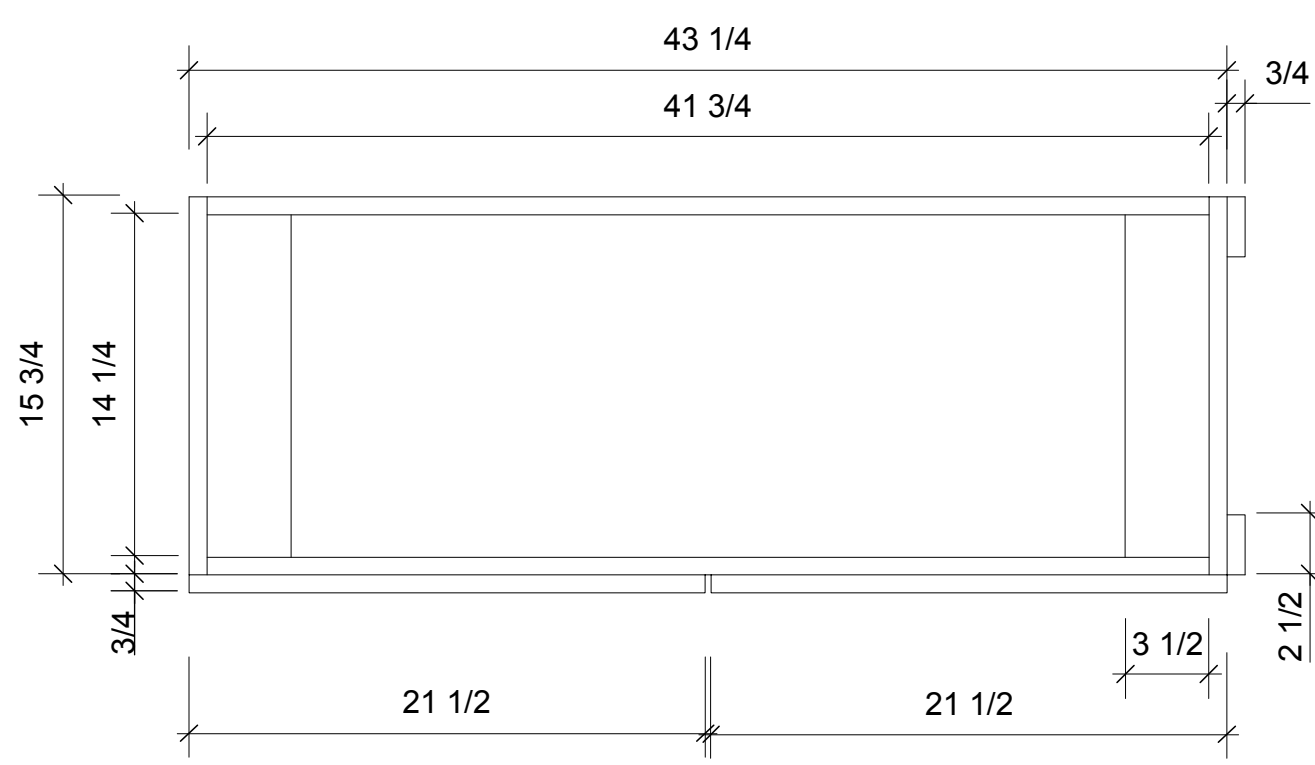
8 KICK BASE CABINET B
Scale: 1 1/2" = 1'-0"



10 KICK BASE CABINET B Elevation
Scale: 1 1/2" = 1'-0"

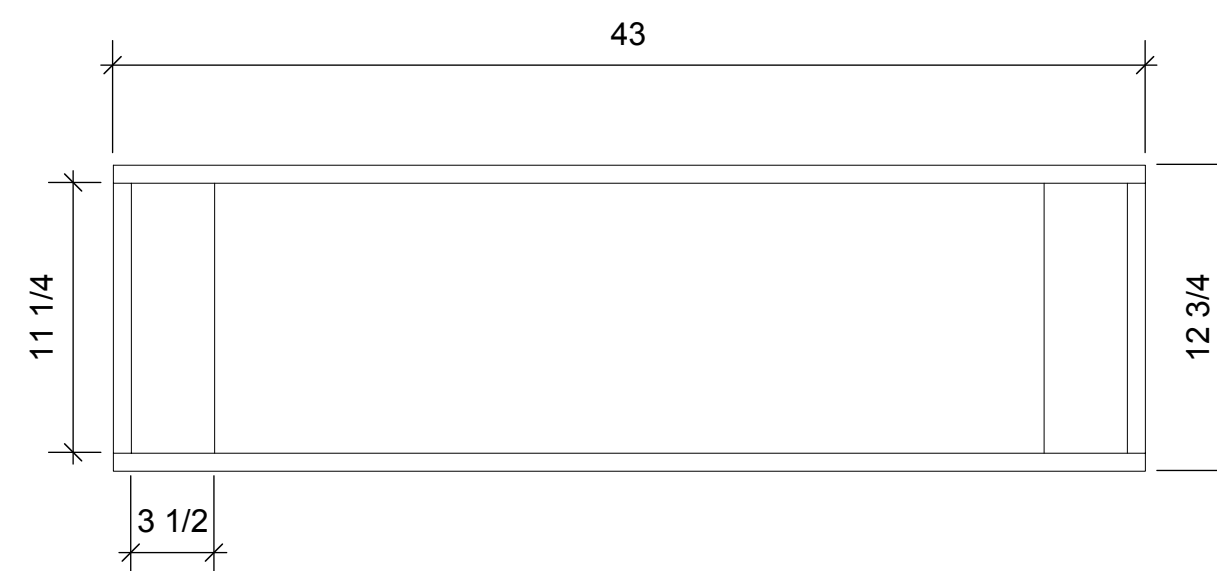


9 CABINET B Elevation
Scale: 1 1/2" = 1'-0"



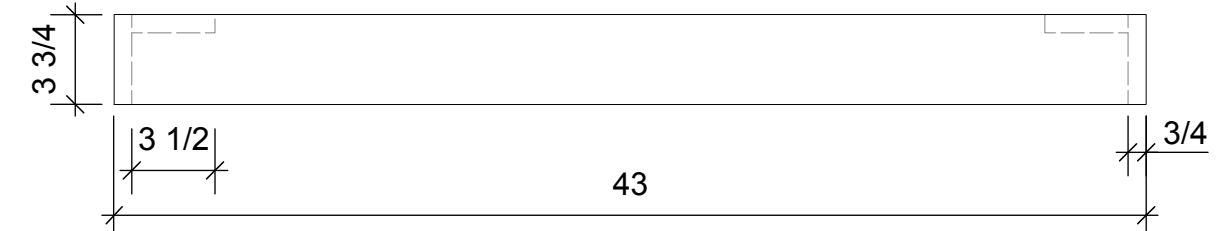
CABINET A BUILD 4

2 Plan View Back Counter Cabinet
Scale: 1 1/2" = 1'-0"

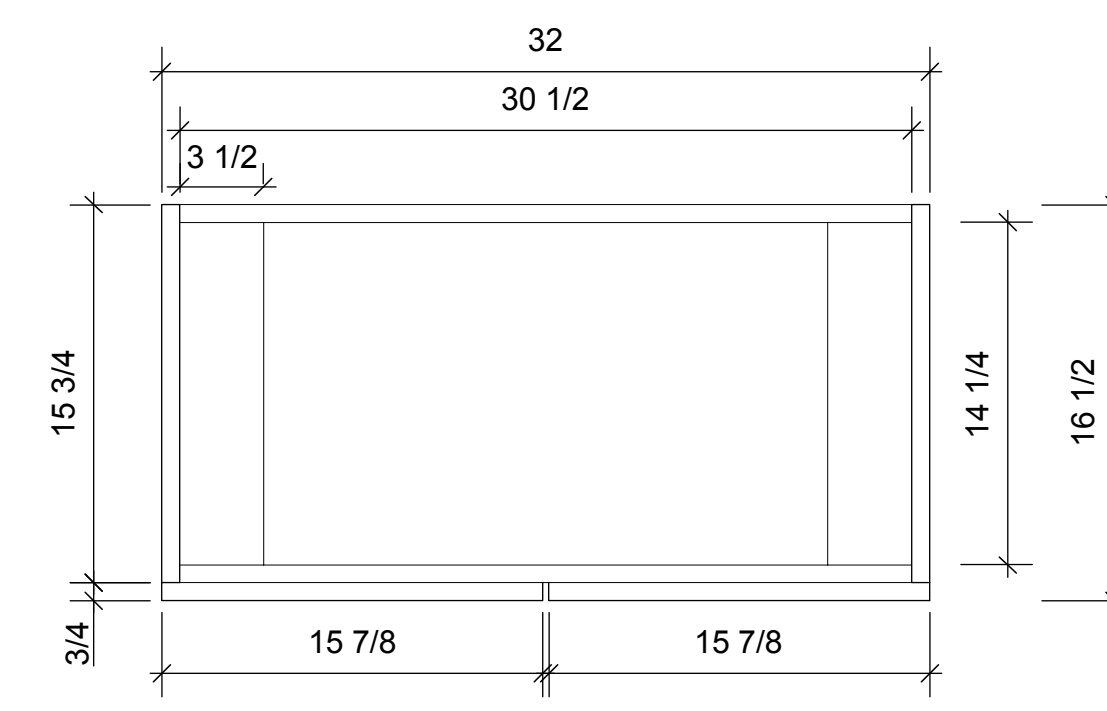


BUILD 4

4 Kick Base Back Counter Unit
Scale: 1 1/2" = 1'-0"



11 KICK BASE CABINET A Elevation
Scale: 1 1/2" = 1'-0"



BUILD 1

7 Plan View CABINET B
Scale: 1 1/2" = 1'-0"

- General Notes
- Doors Plain Sliced Red Oak
 - Cabinet End Caps Plain Sliced Red Oak
 - Cabinet End Caps Plain Sliced Red Oak
 - Cabinet front rail 1 x 3 Red Oak
 - Sides and Bottom Rotatory Oak
 - Shelves White Melamine with front edge finished
 - Kick Base 3/4" AC Plywood
 - Counter Corners/ Counter mounts 3/4" AC Ply

Project
NOSH PIT

Location
Location

JOHN ROMEO
 DESIGN
 ARCHITECTS

JOHN ROMEO
 21 Sebastian Court
 Hopewell Junction, NY 12533
 914-456-9387
 Email: romeostudio@me.com

Drawn	John Romeo
Scale	As Shown
Date	3-19-2013

DRAWING NUMBER
1

APPROVED BY
Approved By