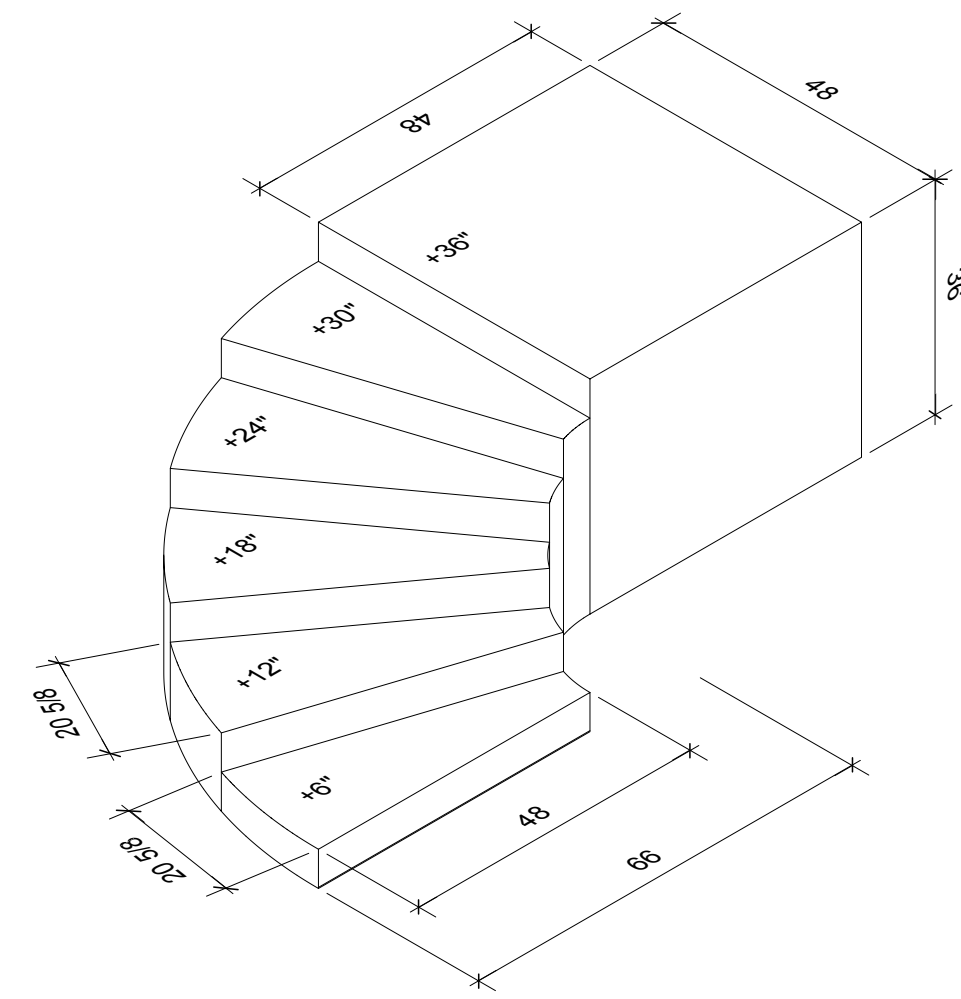
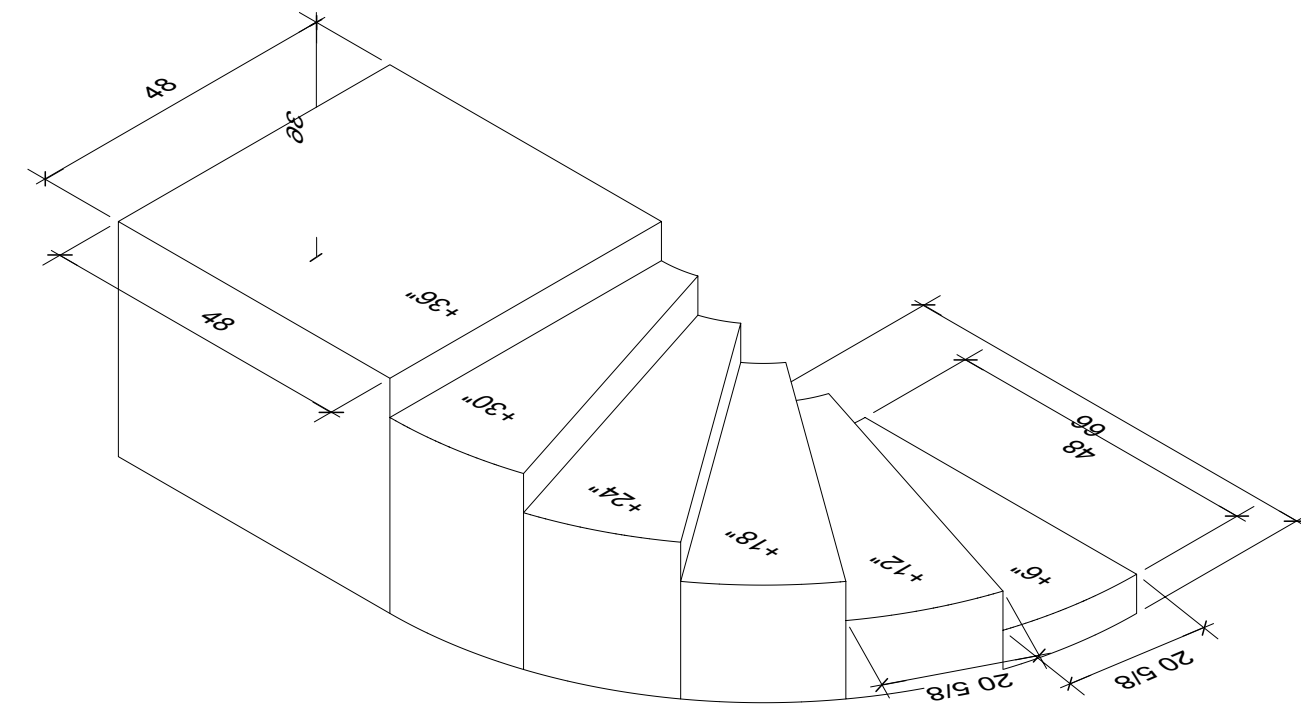


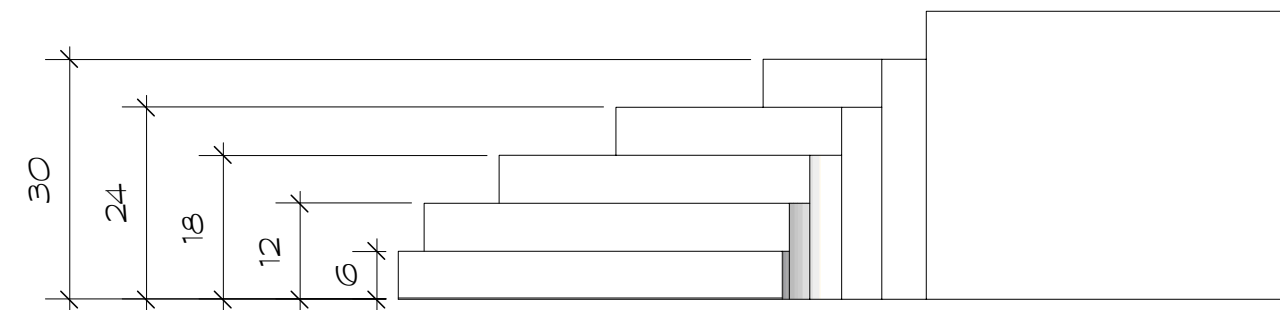
<http://johnromeo.com/video/Build%20Curved%20Stair%20Unit/index.html>



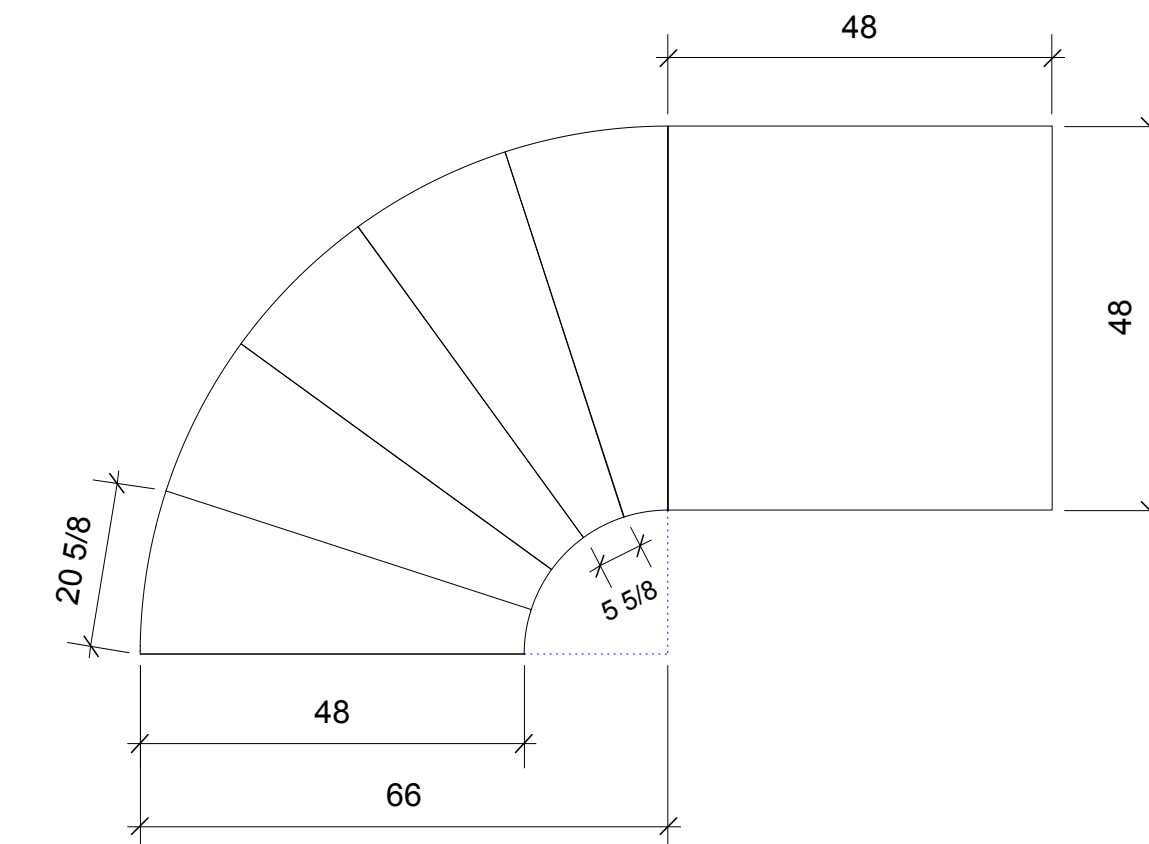
1 Left Isometric
Scale: 1/2" = 1'-0"



2 Left Rear Isometric
Scale: 1/2" = 1'-0"



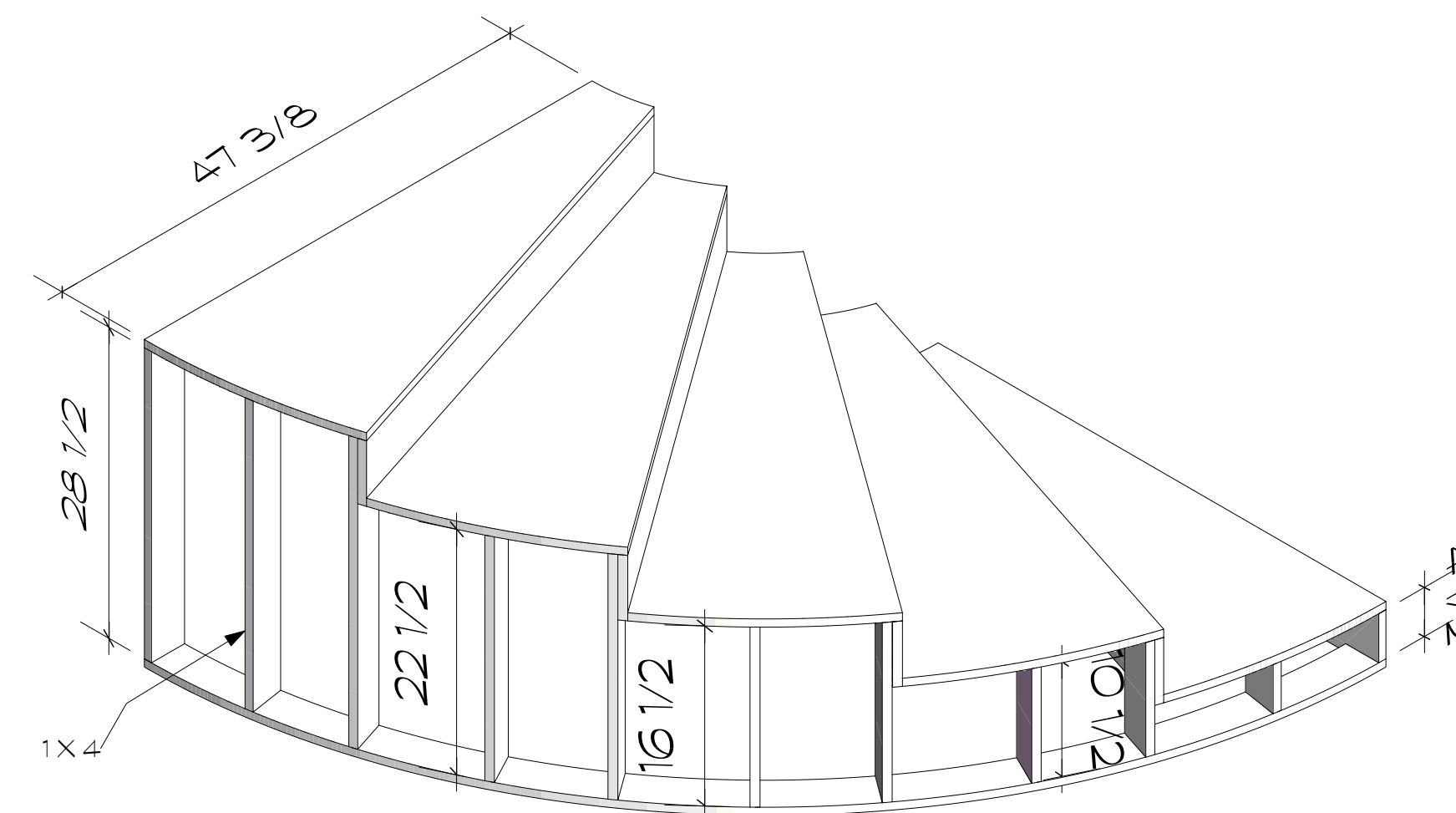
4 Front Elevation
Scale: 1/2" = 1'-0"



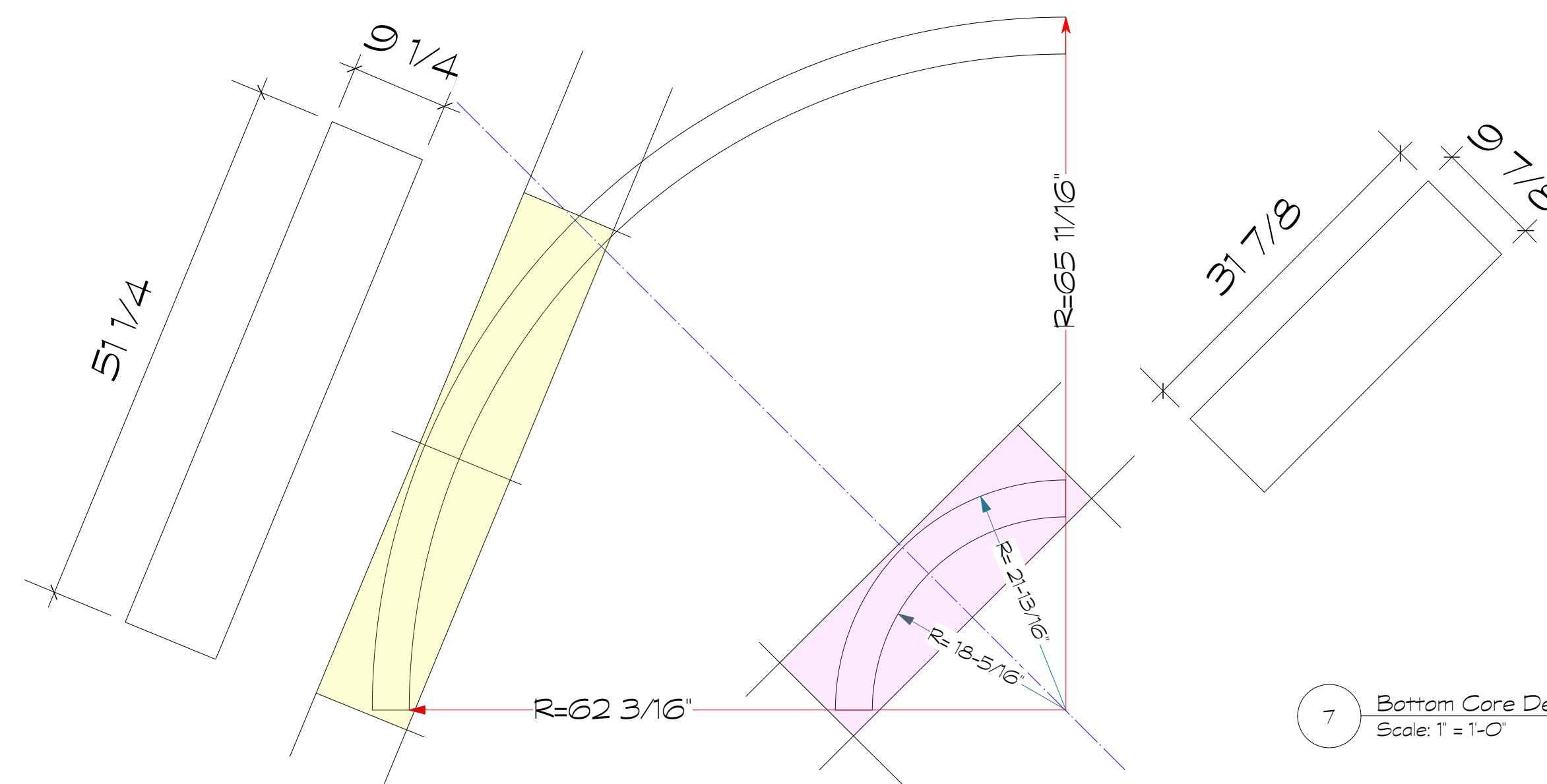
5 Top/Plan View
Scale: 1/2" = 1'-0"



3 Right Isometric
Scale: 1 1/2" = 1'-0"



6 Framing Detail
Scale: 1" = 1'-0"



7 Bottom Core Detail
Scale: 1" = 1'-0"

Project
Curved Stair

Location
Location

JOHN ROMEO
 ARCHITECTURE
 DESIGN
 PRACTICE

JOHN ROMEO
 21 Sebastian Court
 Hopewell Junction, NY 12533
 914-456-9387
 Email: romeostudio@me.com

Drawn	J Romeo
Scale	Scale
Date	10-04/13

DRAWING NUMBER
1

APPROVED BY