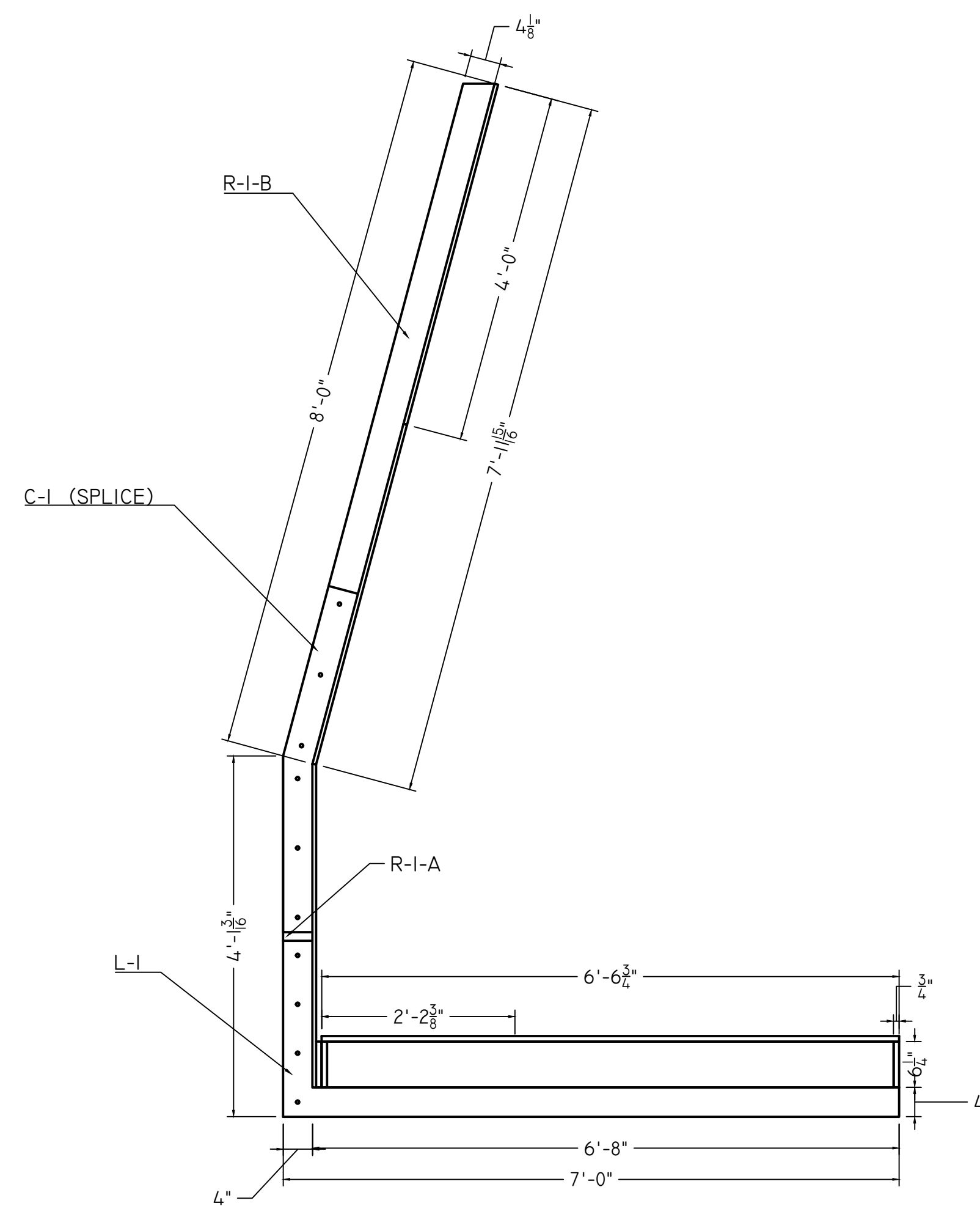
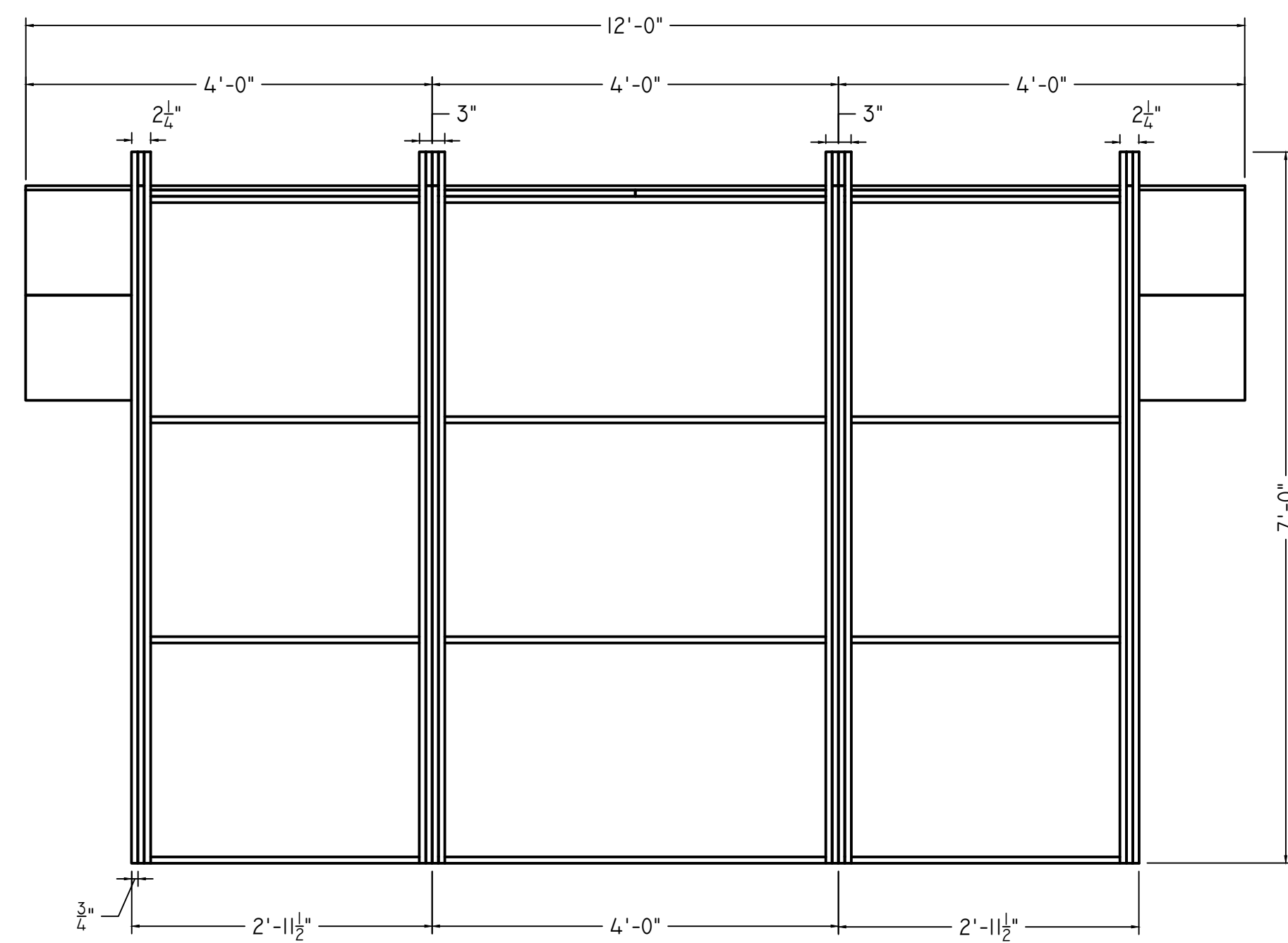


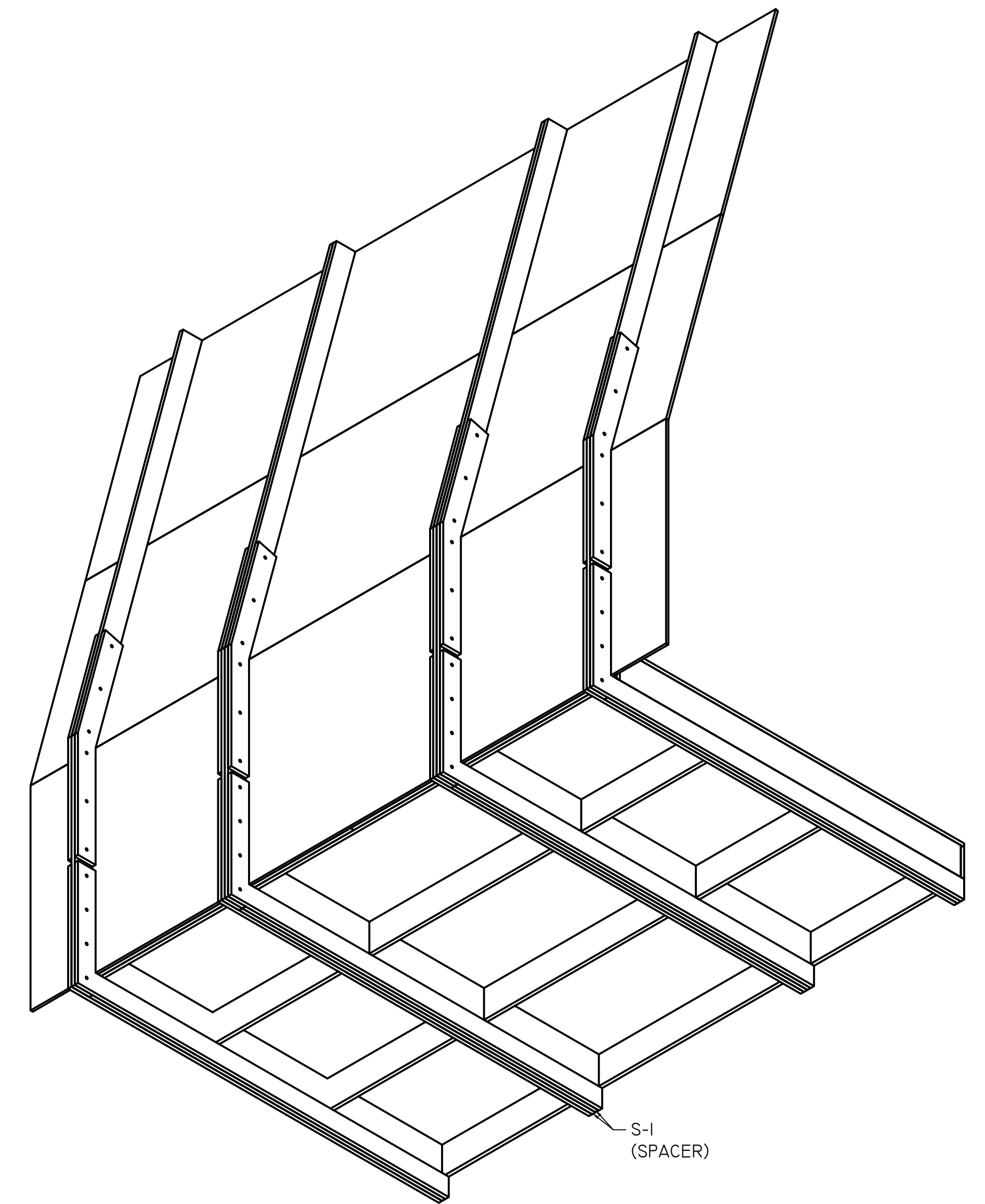
1 BACK VIEW  
SCALE: 3/4"=1'-0"



2 SIDE VIEW  
SCALE: 3/4"=1'-0"



3 PLAN VIEW NO TOP  
SCALE: 3/4"=1'-0"



4 BOTTOM  
SCALE: 3/4"=1'-0"

PROJECT NAME  
STAR WARS GALLERY ELEMENTS

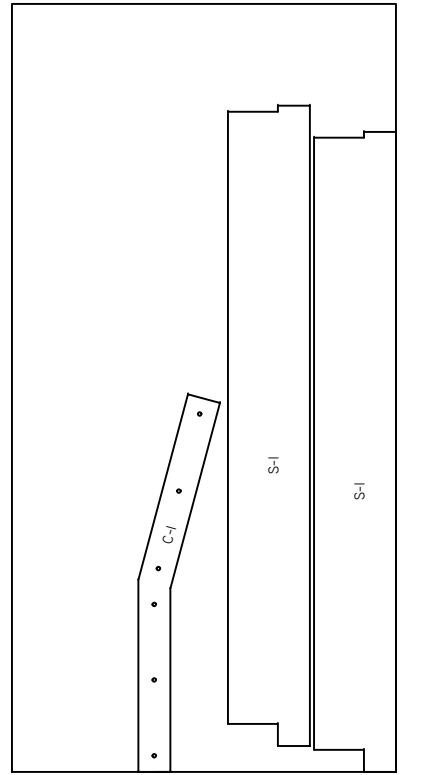
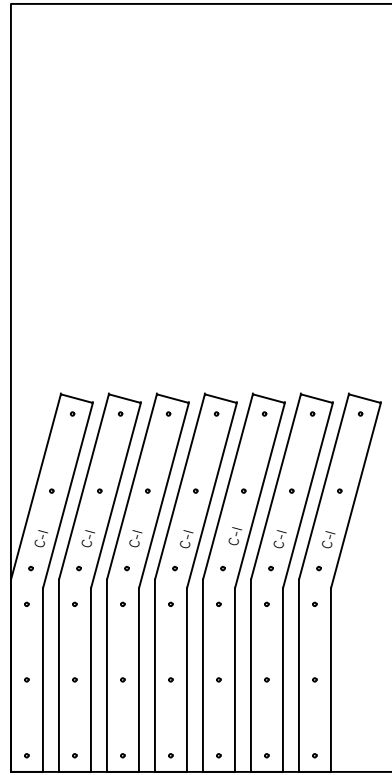
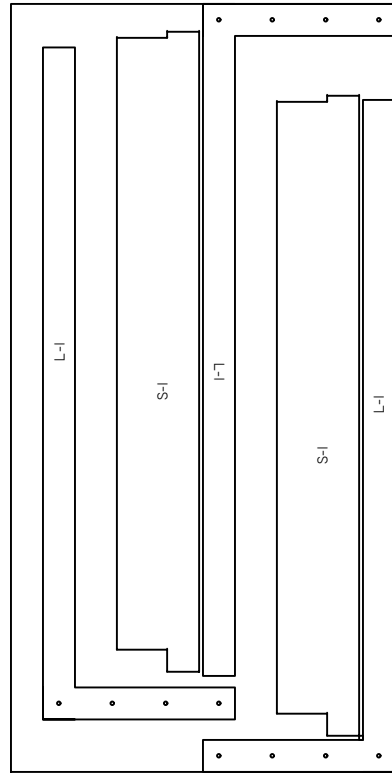
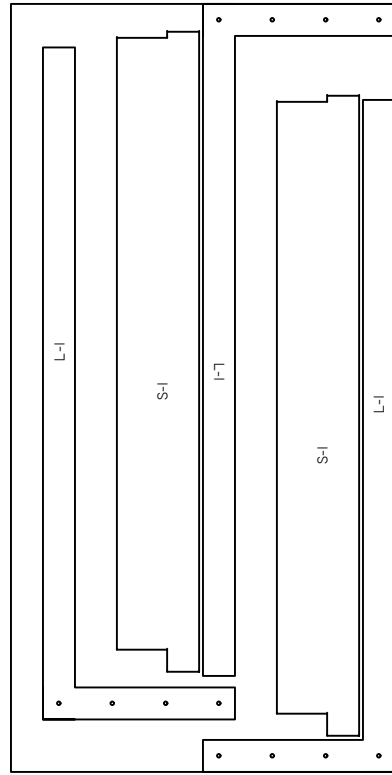
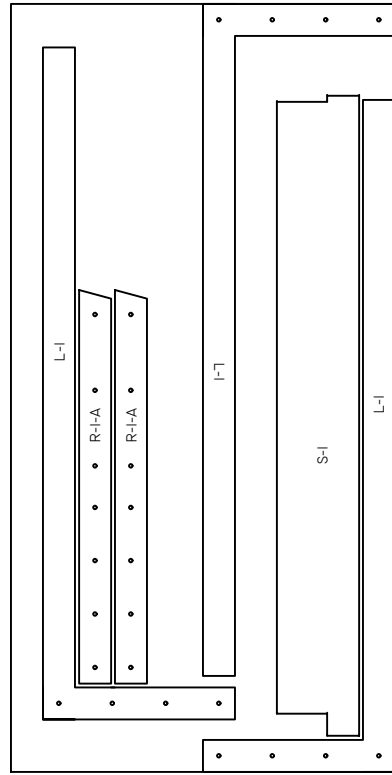
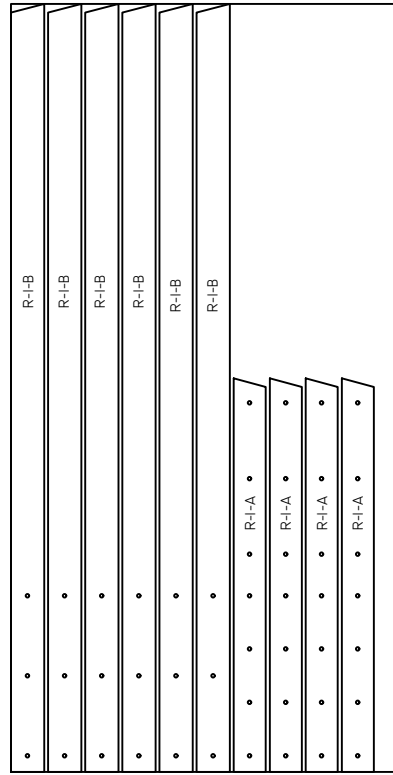
DRAWING TITLE  
DROID ROOM

PROJECT NUMBER  
16107

DRAWING NO.  
D.1

REVISION NO.

DRAWN BY	DRAWN DATE	CHECKED BY	CHECKED DATE	APPROVED BY	APPROVED DATE
JR	10-07-15				
DRAWING SCALE					SHEET SIZE
FILE NAME DROID_3D.DWG					ARCH D 24x36



ROUTER CALLOUT	
MATERIAL: 3/4" AC PLYWOOD	
BIT DIAMETER: 3/8	
PROJECT NAME: STAR WARS DROID	
PROJECT NUMBER: -	
DXF FILENAME: -	
TIMES TO CUT THIS LAYOUT: 1	
DELIVER PARTS TO: NICK	

ROUTER CALLOUT	
MATERIAL: 3/4" AC PLYWOOD	
BIT DIAMETER: 3/8	
PROJECT NAME: STAR WARS DROID	
PROJECT NUMBER: -	
DXF FILENAME: -	
TIMES TO CUT THIS LAYOUT: 1	
DELIVER PARTS TO: NICK	

ROUTER CALLOUT	
MATERIAL: 3/4" AC PLYWOOD	
BIT DIAMETER: 3/8	
PROJECT NAME: STAR WARS DROID	
PROJECT NUMBER: -	
DXF FILENAME: -	
TIMES TO CUT THIS LAYOUT: 1	
DELIVER PARTS TO: NICK	

ROUTER CALLOUT	
MATERIAL: 3/4" AC PLYWOOD	
BIT DIAMETER: 3/8	
PROJECT NAME: STAR WARS DROID	
PROJECT NUMBER: -	
DXF FILENAME: -	
TIMES TO CUT THIS LAYOUT: 1	
DELIVER PARTS TO: NICK	

ROUTER CALLOUT	
MATERIAL: 3/4" AC PLYWOOD	
BIT DIAMETER: 3/8	
PROJECT NAME: STAR WARS DROID	
PROJECT NUMBER: -	
DXF FILENAME: -	
TIMES TO CUT THIS LAYOUT: 1	
DELIVER PARTS TO: NICK	

ROUTER CALLOUT	
MATERIAL: 3/4" AC PLYWOOD	
BIT DIAMETER: 3/8	
PROJECT NAME: STAR WARS DROID	
PROJECT NUMBER: -	
DXF FILENAME: -	
TIMES TO CUT THIS LAYOUT: 1	
DELIVER PARTS TO: NICK	

NOTE:

ALL HOLES  $\frac{7}{16}$ " DIA. FOR  $\frac{3}{8}$ " BOLTS

	PROJECT NAME STAR WARS		DRAWING TITLE DROID CNC PARTS			DRAWN BY J R	DRAWN DATE 10-07-15	CHECKED BY	CHECKED DATE	APPROVED BY	APPROVAL DATE
	PROJECT NUMBER 16107		DRAWING NO. CNC-02	REVISION NO.		DRAWING SCALE AS NOTED			SHEET SIZE ANSI B		
					FILE NAME STAR WARS DROID CNC_11x17			ANSI B 11x17			